

### GB Operating & Safety Instructions

**NL** Bedienings- en veiligheidsvoorschriften

**FR** Instructions d'utilisation et consignes de sécurité

**DE** Gebrauchs- und Sicherheitsanweisung

**IT** Istruzioni per l'uso e la sicurezza

**ES** Instrucciones de uso y de seguridad

**PT** Instruções de Operação e Segurança

**PL** Instrukcja obsługi i bezpieczeństwa

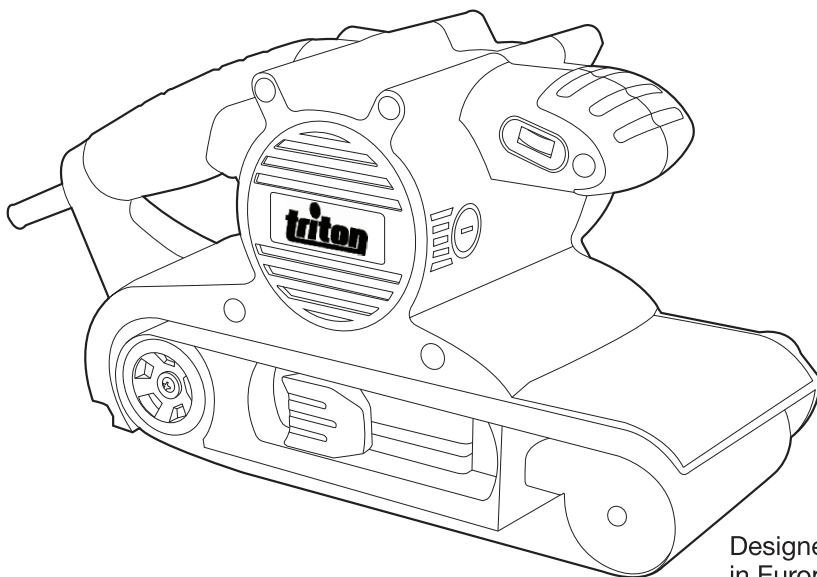
**RU** Инструкции по эксплуатации и правила техники безопасности

**HU** Kezelési és biztonsági utasítások

**CZ** Provozní a bezpečnostní pokyny

**SK** Prevádzkové a bezpečnostné pokyny

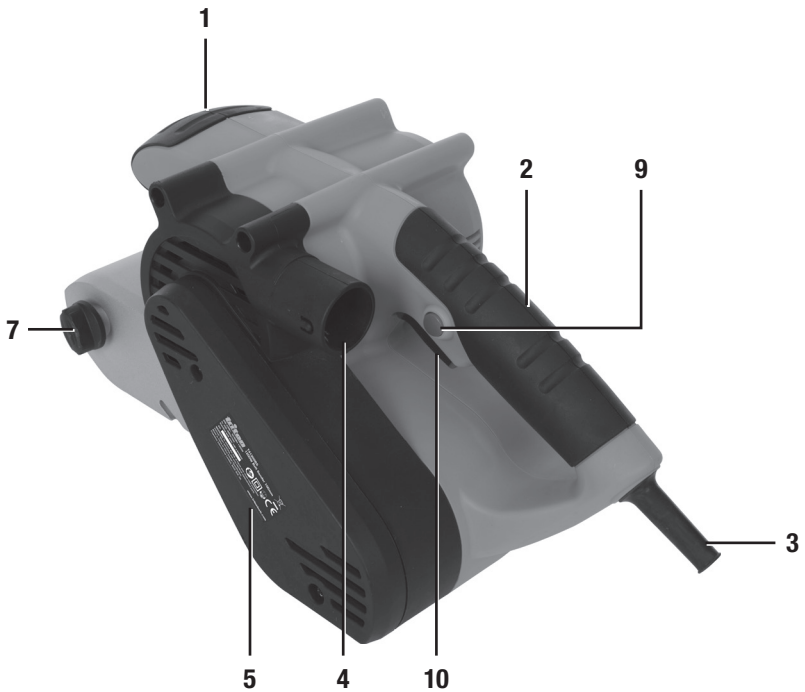
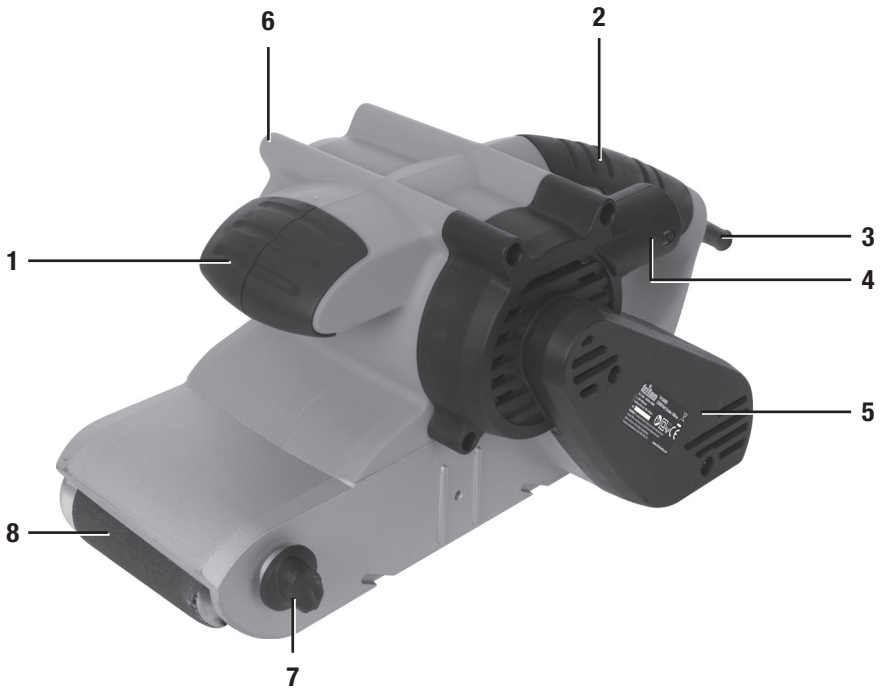
**TR** Çalima ve Güvenlik Talimatları

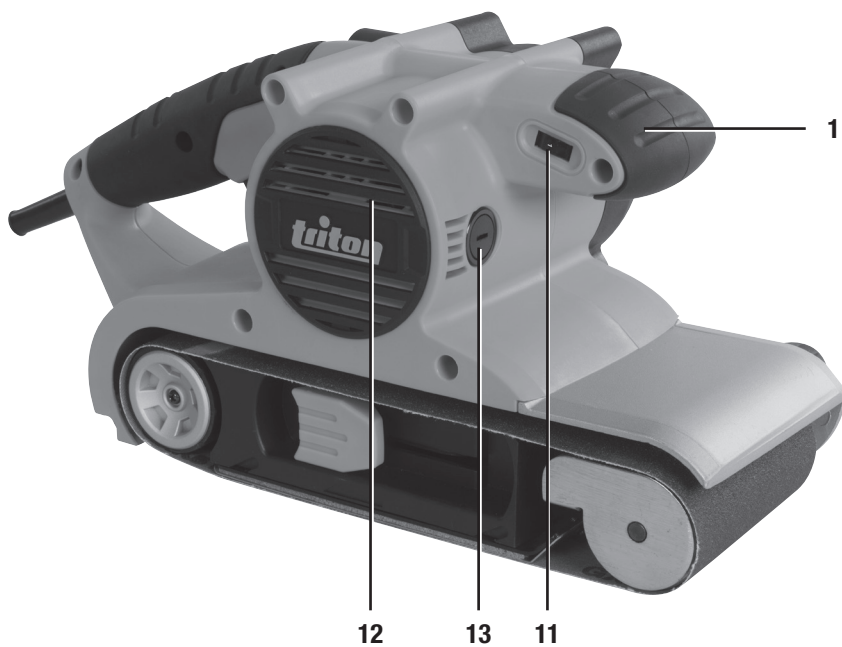
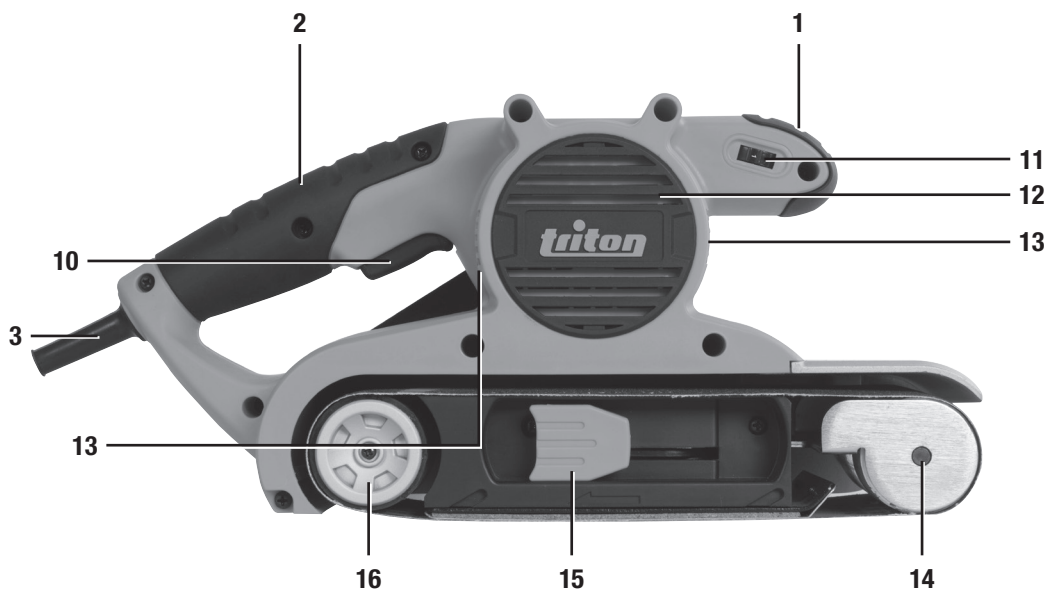


Version date: 20.10.17

Designed in Europe 



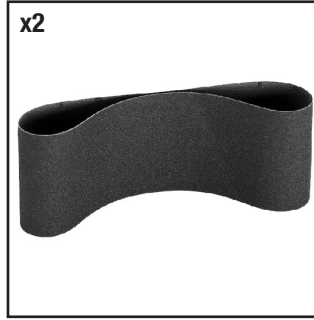




17



18



19



20



21



**A****B****C****D****E****F****G****H**

# Original Instructions

## Introduction

Thank you for purchasing this Triton tool. This manual contains information necessary for safe and effective operation of this product. This product has unique features and, even if you are familiar with similar products, it is necessary to read this manual carefully to ensure you fully understand the instructions. Ensure all users of the tool read and fully understand this manual.

## Description of Symbols

The rating plate on your tool may show symbols. These represent important information about the product or instructions on its use.



Wear hearing protection  
Wear eye protection  
Wear breathing protection  
Wear head protection



Wear hand protection



Read instruction manual



DO NOT use in rain or damp environments!



**WARNING:** Moving parts can cause crush and cut injuries.



Class II construction (double insulated for additional protection)



**Environmental Protection** Waste electrical products should not be disposed of with household waste. Please recycle where facilities exist. Check with your local authority or retailer for recycling advice.



Conforms to relevant legislation and safety standards.



Caution!



Toxic fumes or gases!

## Technical Abbreviations Key

V	Volts
~	Alternating current
A	Ampere
$n_0$	No load speed
Hz	Hertz
W, kW	Watt, kilowatt
/min or min <sup>-1</sup>	(revolutions or reciprocation) per minute

## Specification

Model no:	T41200BS
Voltage:	220–240V, 50/60Hz
Power cable length:	2.6m
Input power:	1200W
Wheel speed:	2500/min
Belt speed under no load:	200–400m/min
Protection class:	
IP number:	IP20
Sanding area:	100 x 156mm
Sanding belt size:	100 x 610mm
Sander dimensions (L x W x H):	410 x 181 x 181mm
Weight:	6kg
<b>Sound and vibration information:</b>	
Sound pressure $L_{pk}$ :	95.4dB(A)
Sound power $L_{WA}$ :	106.4dB(A)
Uncertainty K:	3dB
Weighted vibration $a_h$ (main handle):	4.92m/s <sup>2</sup>
Weighted vibration $a_h$ (front handle):	6.70m/s <sup>2</sup>
Uncertainty K:	1.5m/s <sup>2</sup>
<b>The sound intensity level for the operator may exceed 85dB(A) and sound protection measures are necessary.</b>	

As part of our ongoing product development, specifications of Triton products may alter without notice.

**WARNING:** Always wear ear protection where the sound level exceeds 85dB(A) and limit the time of exposure if necessary. If sound levels are uncomfortable, even with ear protection, stop using the tool immediately and check the ear protection is correctly fitted and provides the correct level of sound attenuation for the level of sound produced by your tool.

**WARNING:** User exposure to tool vibration can result in loss of sense of touch, numbness, tingling and reduced ability to grip. Long-term exposure can lead to a chronic condition. If necessary, limit the length of time exposed to vibration and use anti-vibration gloves. Do not operate the tool with hands below a normal comfortable temperature, as vibration will have a greater effect. Use the figures provided in the specification relating to vibration to calculate the duration and frequency of operating the tool.

Sound and vibration levels in the specification are determined according to EN60745 or similar international standards. The figures represent normal use for the tool in normal working conditions. A poorly maintained, incorrectly assembled, or misused tool, may produce increased levels of noise and vibration. [osha.europa.eu](http://osha.europa.eu) provides information on sound and vibration levels in the workplace that may be useful to domestic users who use tools for long periods of time.

# General Safety

**WARNING:** Read all safety warnings and all instructions. Failure to follow the warnings and instructions may result in electric shock, fire and/or serious injury.

**WARNING:** This appliance is not intended for use by persons (including children) with reduced, physical or mental capabilities or lack of experience or knowledge unless they have been given supervision or instruction concerning use of the appliance by a person responsible for their safety. Children must be supervised to ensure that they do not play with the appliance.

Save all warnings and instructions for future reference.

The term "power tool" in the warnings refers to your mains-operated (corded) power tool or battery-operated (cordless) power tool.

## 1) Work area safety

- a) Keep work area clean and well lit. Cluttered or dark areas invite accidents.
- b) Do not operate power tools in explosive atmospheres, such as in the presence of flammable liquids, gases or dust. Power tools create sparks which may ignite the dust or fumes.
- c) Keep children and bystanders away while operating a power tool. Distractions can cause you to lose control.

## 2) Electrical safety

- a) Power tool plugs must match the outlet. Never modify the plug in any way. Do not use any adapter plugs with earthed (grounded) power tools. Unmodified plugs and matching outlets will reduce risk of electric shock.
- b) Avoid body contact with earthed or grounded surfaces, such as pipes, radiators, ranges and refrigerators. There is an increased risk of electric shock if your body is earthed or grounded.
- c) Do not expose power tools to rain or wet conditions. Water entering a power tool will increase the risk of electric shock.
- d) Do not abuse the cord. Never use the cord for carrying, pulling or unplugging the power tool. Keep cord away from heat, oil, sharp edges or moving parts. Damaged or entangled cords increase the risk of electric shock.
- e) When operating a power tool outdoors, use an extension cord suitable for outdoor use. Use of a cord suitable for outdoor use reduces the risk of electric shock.
- f) If operating a power tool in a damp location is unavoidable, use a residual current device (RCD) protected supply. Use of an RCD reduces the risk of electric shock.

## 3) Personal safety

- a) Stay alert, watch what you are doing and use common sense when operating a power tool. Do not use a power tool while you are tired or under the influence of drugs, alcohol or medication. A moment of inattention while operating power tools may result in serious personal injury.
- b) Use personal protective equipment. Always wear eye protection. Protective equipment such as dust mask, non-skid safety shoes, hard hat, or hearing protection used for appropriate conditions will reduce personal injuries.
- c) Prevent unintentional starting. Ensure the switch is in the off-position before connecting to power source and/or battery pack, picking up or carrying the tool. Carrying power tools with your finger on the switch or energising power tools that have the switch on invites accidents.
- d) Remove any adjusting key or wrench before turning the power tool on. A wrench or a key left attached to a rotating part of the power tool may result in personal injury.
- e) Do not overreach. Keep proper footing and balance at all times. This enables better control of the power tool in unexpected situations.
- f) Dress properly. Do not wear loose clothing or jewellery. Keep your hair, clothing and gloves away from moving parts. Loose clothes, jewellery or long hair can be caught in moving parts.
- g) If devices are provided for the connection of dust extraction and collection facilities, ensure these are connected and properly used. Use of dust collection can reduce dust-related hazards.

## 4) Power tool use and care

- a) Do not force the power tool. Use the correct power tool for your application. The correct power tool will do the job better and safer at the rate for which it was designed.
- b) Do not use the power tool if the switch does not turn it on and off. Any power tool that cannot be controlled with the switch is dangerous and must be repaired.
- c) Disconnect the plug from the power source and/or the battery pack from the power tool before making any adjustments, changing accessories, or storing power tools. Such preventive safety measures reduce the risk of starting the power tool accidentally.
- d) Store idle power tools out of the reach of children and do not allow persons unfamiliar with the power tool or these instructions to operate the power tool. Power tools are dangerous in the hands of untrained users.
- e) Maintain power tools. Check for misalignment or binding of moving parts, breakage of parts and any other condition that may affect the power tool's operation. If damaged, have the power tool repaired before use. Many accidents are caused by poorly maintained power tools.
- f) Keep cutting tools sharp and clean. Properly maintained cutting tools with sharp cutting edges are less likely to bind and are easier to control.
- g) Use the power tool, accessories and tool bits etc. in accordance with these instructions, taking into account the working conditions and the work to be performed. Use of the power tool for operations different from those intended could result in a hazardous situation.

## 5) Service

- a) Have your power tool serviced by a qualified repair person using only identical replacement parts. This will ensure that the safety of the power tool is maintained.

# Sanding Tool Safety



- Hold the power tool by insulated handles or gripping surfaces only, because the sanding belt/sheet may contact its own cord. Cutting a "live" wire may make exposed metal parts of the power tool "live" and could give the operator an electric shock.
  - Use clamps or another practical way to secure the workpiece to a stable platform. Holding the workpiece by hand or against the body makes it unstable and may lead to loss of control.
  - Recommendation that the tool always be supplied via a residual current device with a rated residual current of 30 mA or less.
  - If the replacement of the supply cord is necessary, this has to be done by the manufacturer or his agent in order to avoid a safety hazard.
- a. ALWAYS wear appropriate protective equipment, including a dust mask with a minimum FFP2 rating, eye protection and ear defenders
  - b. Ensure all people in the vicinity of the work area are also equipped with suitable personal protective equipment
  - c. Take special care when sanding some woods (such as beech, oak, mahogany and teak), as the dust produced is toxic and can cause extreme reactions
  - d. NEVER use to process any materials containing asbestos. Consult a qualified professional, if you are uncertain whether an object contains asbestos
  - e. DO NOT sand magnesium or alloys containing a high percentage of magnesium
  - f. Be aware of paint finishes or treatments that may have been applied to the material that is being sanded. Many treatments can create dust that is toxic, or otherwise harmful. If working on a building constructed prior to 1960, there is an increased chance of encountering lead-based paints
  - g. The dust produced when sanding lead-based paints is particularly hazardous to children, pregnant women, and people with high blood pressure. DO NOT allow these people near to the work area, even if wearing appropriate personal protective equipment
  - h. Whenever possible, use a vacuum dust extraction system to control dust and waste
  - i. Be especially careful when using a machine for both wood and metal sanding. Sparks from metal can easily ignite wood dust. ALWAYS clean your machine thoroughly to reduce the risk of fire
  - j. Empty the dust bag or container (where applicable) frequently during use, before taking breaks and after completion of sanding. Dust may be an explosion hazard. DO NOT throw sanding dust into an open fire. Spontaneous combustion may occur when oil or water particles come into contact with dust particles. Dispose of waste materials carefully and in accordance with local laws and regulations.
  - k. Work surfaces and sandpaper can become very hot during use. If there is evidence of burning (smoke or ash), from the work surface, stop and allow the material to cool. DO NOT touch work surface or sandpaper until they have had time to cool
  - l. DO NOT touch the moving sandpaper
  - m. ALWAYS switch off before you put the sander down
  - n. DO NOT use for wet sanding. Liquids entering the motor housing can cause severe electric shocks
  - o. ALWAYS unplug the sander from the mains power supply before changing or replacing sandpaper
- Even when this tool is used as prescribed it is not possible to eliminate all residual risk factors. If you are in any doubt as to safe use of this tool, do not use it

# Product Familiarisation

1. Front Handle
2. Rear Handle
3. Mains Cord
4. Dust Extraction Port
5. Drive Belt Cover
6. Clamp Hole
7. Tracking Adjustment Knob
8. Sanding Belt
9. Lock-On Button
10. On/Off Trigger Switch
11. Speed Adjustment Dial
12. Vented Motor Cover
13. Brush Cover
14. Front Belt Roller
15. Belt Tension Lever
16. Drive Roller

## Included Accessories:

17. Bench-Mounting Mat
18. 2 x Extra Sanding Belts
19. 2 x Inversion Clamp
20. Dust Collection Bag
21. Spare Drive Belt

## Intended Use

Medium to heavy-duty belt sander for removing large amounts of material. For use on soft and hard wood, and similar materials.

## Unpacking Your Tool

- Carefully unpack and inspect your new tool. Familiarise yourself with all its features and functions
- Ensure that all parts of the tool are present and in good condition. If any parts are missing or damaged, have such parts replaced before attempting to use this tool

## Before Use

**⚠️ WARNING:** Ensure the tool is disconnected from the power supply before attaching or changing any accessories, or making any adjustments.

**Note:** This sander is supplied fully assembled. It can be used immediately out of the box.

## Connecting the Dust Collection Bag

- Connecting the tool to a vacuum cleaner or workshop dust extraction system is the preferred method of dust extraction
- If vacuum dust extraction is unavailable, you must fit the supplied Dust Collection Bag (20) to the Dust Extraction Port (4)

1. Locate the bayonet fitting, push on the Dust Collection Bag (Image A) and rotate until locked. Ensure the Dust Collection Bag's zip is closed
2. To remove the Dust Collection Bag, rotate outwards to disengage the bayonet, then pull off

**WARNING:** Remove and DO NOT use the Dust Collection Bag when sanding metal. Hot metal particles and sparks could ignite residual wood dust, or cause the Dust Collection Bag to catch fire. Always connect the sander to a vacuum cleaner or workshop dust extraction system when sanding metal. Always clean the tool THOROUGHLY when switching from sanding wood to sanding wood to sanding metal, and vice versa.

## Selecting the right grade of sanding belt

- Different grades of sanding belt can be purchased from your local Triton stockist. Typical grades are: Coarse (40 Grit), Medium (80 and 100 Grit) and Fine (120 Grit)
- Use Coarse grade to remove rough finishes, Medium grade to smooth the work, and Fine grade for finishing
- Carry out a trial run on a scrap piece of material to determine the optimum grades of belt for a particular job
- In order to take full advantage of your sander, always purchase good quality belts

**Note:** After sanding with a belt sander, an orbital sander can be used to provide a smoother surface finish. This process will, however, lead to the loss of wood grain detail. Additional sanding with an orbital sander is advisable if you plan to paint the wooden surface, or if you do not need to maintain the visibility of the wood grain.

## Attaching a sanding belt

**WARNING:** Always disconnect from the power supply before carrying out any inspection, maintenance or cleaning.

1. Pull the Belt Tension Lever (15) to release the tension on the belt then slide off the old belt (Image B)
2. Check the replacement belt is well jointed and is not frayed at the edges
3. Slip the new belt into position (Image C), making sure the rotation arrow on the inside of the belt is pointing in the same direction as the arrow on the side of the sander
4. Push the Belt Tension Lever in (Image D) to increase the tension on the belt
5. Plug the sander into a power point and, maintaining a firm grip on the sander, squeeze the On/Off Trigger Switch (10) and allow the belt to rotate for a short period
6. Whilst the belt is running, adjust the Tracking Adjustment Knob (7) to align the belt to the centre of the Drive Roller (16). Repeat until the belt is correctly aligned (only slight rotation of the knob is required to track the belt), then squeeze the On/Off Trigger Switch for a few seconds to allow the belt to adjust. Run the sander for a minute or so to ensure the correct alignment is achieved before using the sander on a workpiece

**WARNING:** Do not continue to use the sander if the sanding belt is worn or damaged.

**WARNING:** Do not use the same sanding belt for wood and metal. Metal particles become embedded in the belt and will scour a wooden surface.

## Operation

### Switching ON and OFF

1. Press and hold the On/Off Trigger Switch (10) to activate the belt sander
2. Release the On/Off Trigger Switch to stop the belt sander
3. To lock the belt sander ON, press the On/Off Trigger Switch to activate the belt sander and press the Lock-On Button (9) (Image E) to lock the On/Off Trigger Switch ON
4. To de-activate, press the On/Off Trigger Switch, which clicks the Lock-On Button out, and release the On/Off Trigger Switch to stop the belt sander

### Adjusting the speed

- The speed can be adjusted to suit the material that requires sanding
- To adjust the speed, move the Speed Adjustment Dial (11) to the desired speed (Image F)

**Note:** When the Speed Adjustment Dial is set to the lowest speed setting '1' the speed is 200m/min, when the Speed Adjustment Dial is set to the highest speed setting '7' the speed is 400m/min.

### Sanding

**WARNING:** Always wear eye protection, an adequate dust mask, hearing protection, and suitable gloves when working with this tool.

**Note:** Always use clamps to secure your workpiece to the workbench wherever possible.

**WARNING:** Do not use this sander for sanding magnesium.

**Note:** Always ensure the belt is in good condition.

1. Connect the tool to the power supply
2. Squeeze the On/Off Trigger Switch (10) and allow the belt to reach the desired speed before lowering the belt on to the surface of the workpiece
3. If you require continuous operation, press the Lock-On Button (9)
4. Lower the unit onto the surface of the workpiece and apply slight pressure
5. Sand in the direction of the grain, in parallel, with overlapping strokes (Image G)
6. To remove paint or smooth very rough wood, sand across the grain at 45° in two directions, and then finish in the direction of the grain
7. Lift the sander off the workpiece before switching off the power
8. Remember to keep hands away from the moving sanding belt, as it will continue to run for a short time after the machine is switched OFF

**Note:** For optimum dust removal, empty the Dust Collection Bag (20) when it is no more than half full.

**WARNING:** Do not use the Dust Collection Bag when sanding metal. The hot metal particles could cause residual wood dust of the bag itself to catch fire. A vacuum cleaner adaptor can be used to connect a household vacuum cleaner or workshop dust extraction system to the sander. The adaptor fits into the Dust Extraction Port (4).

### Using the Inversion Clamp set

- The Inversion Clamps (19) set enables use of the Triton Belt Sander in an inverted position (Image H). The sander must only be used in an inverted position when clamped securely to a suitable structure with a solid, flat work surface
1. Invert the machine and place on a solid, flat work surface. Ensure the underside is flat and there is sufficient access to accommodate the length of the G clamp bases
  2. Insert the Inversion Clamps fully into the fixing positions on the sander. Ensure the vertical threaded section of each Inversion Clamp is tight up against the edge of the work surface
  3. Tighten the butterfly nuts so that the sander is securely clamped to the work surface
  4. Fit the Dust Collection Bag (20) or compatible dust extraction system
  5. Turn on the sander and use the Lock-On Button (9) to keep the sander running continuously



6. Check that the sanding belt is securely fixed to the sander and that it is correctly aligned while the tool is operating. If necessary, switch the sander OFF and re-fix to the sander

**WARNING:** DO NOT use the sander inverted unless it is securely clamped to the work surface.

**Note:** When the belt sander is being clamped, use the Bench-Mounting Mat (17) beneath the belt sander to protect the work surface from damage and to prevent the belt sander from moving.

## Accessories

- A full range of different grit sanding belts and accessories is available from your Triton stockist. Spare parts can be obtained from [toolsparsonline.com](https://toolsparsonline.com)

## Maintenance

**WARNING:** Always disconnect from the power supply before carrying out any inspection, maintenance or cleaning.

### Emptying the dust collection bag (if fitted)

**WARNING:** Always switch the belt sander OFF and disconnect from the power supply before detaching the Dust Collection Bag (20) or dust extraction system.

1. To remove the Dust Collection Bag, rotate outwards to disengage the bayonet, then pull off (image A)
2. Unzip the Dust Collection Bag, empty, and refit (see 'Connecting the Dust Collection Bag')

**Note:** If the sanding dust contains harmful substances, such as particles from old paint, varnish, surface coatings etc, always dispose of in accordance with laws and regulations.

**Note:** For optimum dust removal, empty the Dust Collection Bag when it is no more than half full.

**Note:** Always clean the tool THOROUGHLY when switching from sanding wood to sanding metal and vice versa.

### General inspection

- Regularly check that all the fixing screws are tight. They may vibrate loose over time
- Inspect the mains cord of the tool, prior to each use, for damage or wear. Repairs should be carried out by an authorised Triton service centre. This advice also applies to extension cords used with this tool; always check for wear or damage and see the manufacturer of the product for repairs, if possible

### Cleaning

- Keep your tool clean at all times. Dirt and dust will cause internal parts to wear quickly and shorten the machine's service life. Clean the body of your machine with a soft brush, or dry cloth. If available, use clean, dry, compressed air to blow through the ventilation holes
- Clean the tool casing with a soft damp cloth using a mild detergent. Do not use alcohol, petrol or strong cleaning agents
- Never use caustic agents to clean plastic parts

### Lubrication

- Slightly lubricate all moving parts at regular intervals with a suitable spray lubricant

## Brushes

- Over time the carbon brushes inside the motor may become worn
- Excessively worn brushes may cause loss of power, intermittent failure, or visible sparking
- If you suspect that the brushes may be worn, both brushes will need replacing simultaneously

### Replacing the brushes:

**⚠ WARNING:** Ensure that the belt sander is switched OFF and the mains power cord is unplugged from the power source before attempting to replace the brushes.

1. Locate the Vented Motor Cover (12) on the belt sander and the two screw-in Brush Covers (13)
2. Remove the Brush Covers with a flat-tipped screwdriver, then remove the two brushes
3. Note the notches on the brush ends, which align with the fitment in the Brush Cover holes, and place the new brush inside then screw the Brush Cover back in

**Note:** Fitting the new brushes can be done one at a time, but it is recommended that both brushes be replaced during the same session.

4. Once both brushes have been replaced, plug the belt sander in to the power socket and switch ON. Run the belt sander to test that the replacement has worked
5. If there is no power, retry from step 1. If there is still no power after a second attempt to fit the brushes, see your Triton service technician

## Changing the drive belt

**Note:** A spare drive belt is supplied with the sander. Further replacements and other spare parts are available from your Triton stockist or from [toolsparsonline.com](https://toolsparsonline.com).

1. Using a Phillips screwdriver, remove the screws holding the Drive Belt Cover (5) in place
2. Remove the worn belt by easing it off the bottom, larger drive pulley, and then lift away
3. Clean all dust and debris away, if any
4. Place the new drive belt over the top drive pulley and push onto the larger pulley, then rotate the belt until it is on both pulleys and located in the grooves of each pulley
5. Replace the Drive Belt Cover and screw the fixing screws tight
6. Test the belt sander on a low speed. If fitted correctly, the belt sander is ready to use

## Contact

For technical or repair service advice, please contact the helpline on (+44) 1935 382 222

### Web:

[tritontools.com/en-GB/Support](https://tritontools.com/en-GB/Support)

### Address:

Powerbox, Boundary Way, Lufton Trading Estate, Yeovil, Somerset, BA22 8HZ, United Kingdom

## Storage

- Store this tool carefully in a secure, dry place out of the reach of children

## Disposal

Always adhere to national regulations when disposing of power tools that are no longer functional and are not viable for repair.

- Do not dispose of power tools, or other waste electrical and electronic equipment (WEEE), with household waste
- Contact your local waste disposal authority for information on the correct way to dispose of power tools

# Troubleshooting

Problem	Possible cause	Solution
No function when On/Off Trigger Switch (10) is operated	No power	Check power supply
	Defective On/Off Trigger Switch	Replace the On/Off Trigger at an authorised Triton service centre
Sander pulls to the side during operation	Off-centre sanding belt	Adjust the belt Tracking Adjustment Knob (7) to align the belt. If problem persists, refit the belt as instructed in 'Fitting a sanding belt'
	Loose sanding belt	Ensure the Belt Tension Lever (15) is securely closed. If problem persists, refit the belt as instructed in 'Fitting a sanding belt'
Belt sander running despite not touching the On/Off Trigger Switch	Lock-On Button (9) activated	To stop the machine, squeeze and release the On/Off Trigger Switch

## Guarantee

To register your guarantee visit our web site at tritontools.com\* and enter your details. Your details will be included on our mailing list (unless indicated otherwise) for information on future releases. Details provided will not be made available to any third party.

## Purchase Record

Date of Purchase: \_\_\_/\_\_\_/\_\_\_

Model: T41200BS Retain your receipt as proof of purchase

Triton Precision Power Tools guarantees to the purchaser of this product that if any

part proves to be defective due to faulty materials or workmanship within 3 YEARS from the date of original purchase,

Triton will repair, or at its discretion replace, the faulty part free of charge.

This guarantee does not apply to commercial use nor does it extend to normal wear and tear or damage as a result of accident, abuse or misuse.

\* Register online within 30 days.

Terms & conditions apply.

This does not affect your statutory rights

## CE Declaration of Conformity

The undersigned: Mr Darrell Morris

as authorised by: Triton Tools

**Declares that:** This declaration has been issued under the sole responsibility of the manufacturer. The object of the declaration is in conformity with the relevant Union harmonisation Legislation.

**Identification code:** T41200BS

**Description:** 1200W Belt Sander

**Conforms to the following directives and standards:**

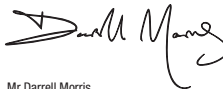
- Machinery Directive 2006/42/EC
- EMC Directive 2014/30/EU
- RoHS Directive 2011/65/EU
- EN60745-1:2009+A11:2010
- EN60745-2-4:2009+A11:2011
- EN55014-1:2006+A1:2009+A2:2011
- EN55014-2:1997+A1:2001+A2:2008
- EN61000-3-2:2014
- EN61000-3-3:2013

**Notified body:** TUV SUD

**The technical documentation is kept by:** Triton Tools

**Date:** 04/07/2016

**Signed:**



Mr Darrell Morris

Managing Director

**Name and address of the manufacturer:**

Powerbox International Limited, Company No. 06897059. Registered address: Powerbox, Boundary Way, Lufton Trading Estate, Yeovil, Somerset, BA22 8HZ, United Kingdom.

# Vertaling van de originele instructies

## Introductie

Hartelijk dank voor de aanschaf van dit Triton- gereedschap. Deze instructies bevatten informatie die u nodig hebt voor een veilige en doeltreffende bediening van dit product. Dit product heeft unieke kenmerken. Zelfs als u bekend bent met gelijksoortige producten dient u deze handleiding zorgvuldig door te lezen, zodat u in staat bent alle voordelen te benutten. Houd deze handleiding bij de hand en zorg ervoor dat alle gebruikers van dit gereedschap de handleiding hebben gelezen en volledig hebben begrepen.

## Beschrijving symbolen

Op het gegevensplaatje van uw gereedschap kunnen zich symbolen bevinden. Deze vertegenwoordigen belangrijke productinformatie en gebruiksinstructies.



Draag gehoorbescherming  
Draag een veiligheidsbril  
Draag een stofmasker  
Draag een veiligheidshelm



Draag handschoenen



Lees de handleiding



Gebruik niet de regen of in vochtige omstandigheden!



**WAARSCHUWING:** Bewegende delen kunnen ernstig letsel veroorzaken.



Beschermingsklasse II (dubbel geïsoleerd)



**Milieubescherming** Elektrische producten mogen niet met het normale huisvuil worden weggegooid. Indien de mogelijkheid bestaat, dient u het product te recyclen. Vraag de plaatselijke autoriteiten of winkelier om advies betreffende recyclen.



Voldoet aan de relevante wetgeving en veiligheidsnormen



Voorzichtig!



Toxic fumes or gases!

## Specificaties

<b>Model nr.:</b>	T41200BS
<b>Spanning:</b>	220 V–240 V, 50/60 Hz
<b>Stroomsoer lengte:</b>	2,6 m
<b>Ingangsvermogen:</b>	1200 W
<b>Band snelheid:</b>	2500 min <sup>-1</sup>
<b>Onbelaste snelheid:</b>	200–400 min <sup>-1</sup>
<b>Beschermingsklasse:</b>	
<b>Beschermingsgraad:</b>	IP20
<b>Schuuroppervlak:</b>	100 x 156 mm
<b>Schuurband afmetingen:</b>	100 x 610 mm
<b>Machine afmetingen (L x B x H):</b>	410 x 181 x 181 mm
<b>Gewicht:</b>	6 kg
<b>Geluid en trilling</b>	
<b>Geluidsdruk L<sub>pk</sub>:</b>	95,4 dB(A)
<b>Geluidsvermogen L<sub>WA</sub>:</b>	106,4 dB(A)
<b>Onzekerheid K:</b>	3 dB(A)
<b>Trilling A<sub>h</sub> (Hoofdhandvat):</b>	4,92 m/s <sup>2</sup>
<b>Trilling A<sub>h</sub> (Hulphandvat):</b>	6,70 m/s <sup>2</sup>
<b>Onzekerheid:</b>	1,5 m/s <sup>2</sup>
<b>De geluidsintensiteit voor de bediener kan 85 dB(A) overschrijden en de gehoorbescherming is noodzakelijk.</b>	

Met het oog op onze aanhoudende productontwikkeling kunnen de specificaties van Triton producten zonder voorafgaande kennisgeving worden gewijzigd

**WAARSCHUWING:** Bij een geluidsintensiteit van 85 dB(A) of hoger is het dragen van gehoorbescherming en het limiteren van de blootstellingstijd vereist. Bij oncomfortabel hoge geluidsniveaus, zelfs met het dragen van gehoorbescherming, stopt u het gebruik van de machine onmiddellijk. Controleer de pasvorm en het geluiddempniveau van de bescherming.

**WAARSCHUWING:** Blootstelling aan trilling resulteert mogelijk in gevoelloosheid, tinteling en een verminderd grijpvermogen. Langdurige blootstelling kan leiden tot chronische condities. Limiteer de blootstellingsduur en draag anti-vibratie handschoenen. Vibratie heeft een grotere invloed op handen met een temperatuur lager dan een normale, comfortabele temperatuur. Maak gebruik van de informatie in de specificaties voor het berekenen van de gebruiksduur en frequentie van de machine.

Geluid- en trillingsniveaus in de specificatie zijn vastgesteld volgens EN60745 of een gelijksoortige internationale norm. De waarden gelden voor een normaal gebruik in normale werkomstandigheden. Een slecht onderhouden, onjuist samengestelde of onjuist gebruikte machine produceert mogelijk hogere geluids- en trillingsniveaus. [osha.europa.eu](http://osha.europa.eu) biedt informatie met betrekking tot geluids- en trillingsniveaus op de werkplek wat mogelijk nuttig is voor regelmatige gebruikers van machines.

## Technische afkortingen en symbolen

<b>V</b>	Volt
<b>~</b>	Wisselstroom
<b>A</b>	Ampère
<b>n<sub>0</sub></b>	Onbelaste snelheid
<b>Hz</b>	Hertz
<b>W, kW</b>	Watt, kilowatt
<b>/min of min<sup>-1</sup></b>	Operaties per minuut

# Algemene veiligheid

**WAARSCHUWING** Lees alle bediening- en veiligheidsvoorschriften. *Het niet opvolgen van alle voorschriften die hieronder vermeld staan, kan resulteren in een elektrische schok, brand en/of ernstig letsel.*

**WAARSCHUWING:** De machine is niet geschikt voor gebruik door personen met een verminderde mentale of fysieke gesteldheid of een gebrek aan ervaring, tenzij de persoon wordt begeleidt of geïnstrueerd door een persoon verantwoordelijk voor de veiligheid

**Bewaar deze voorschriften voor toekomstig gebruik.**

De term "elektrisch gereedschap" in alle hieronder vermelde waarschuwingen heeft betrekking op uw elektrische gereedschap dat op de stroom is aangesloten (met een snoer) of met een accu wordt gevoed (snoerloos).

## 1) Veiligheid in de werkruimte

- Houd de werkruimte schoon en zorg voor een goede verlichting.** *Rommelige en donkere ruimtes leiden vaak tot ongelukken.*
- Werk niet met elektrisch gereedschap in explosieve omgevingen, bijvoorbeeld in de aanwezigheid van ontvlambare vloeistoffen, gassen of stof.** *Elektrisch gereedschap brengt vonken teweeg die stof of dampen kunnen doen ontbranden.*
- Houd kinderen en omstanders uit de buurt wanneer u elektrisch gereedschap bedient.** *Door afleiding kunt u de controle over het gereedschap verliezen.*

## 2) Elektrische veiligheid

- De stekkers van het elektrische gereedschap moeten passen bij het stopcontact. Pas de stekker niet aan. Gebruik geen adapterstekkers bij geaard elektrisch gereedschap.** *Het gebruik van ongewijzigde stekkers en passende stopcontacten vermindert het risico op een elektrische schok.*
- Vermijd lichamelijk contact met geaarde oppervlakken zoals pijpen, radiatoren, fornuizen en koelkasten.** *Het risico op een elektrische schok neemt toe als uw lichaam geaard wordt.*
- Laat elektrisch gereedschap niet na worden.** *Wanneer elektrisch gereedschap na wordt, neemt het risico op een elektrische schok toe.*
- Beschadig het snoer niet. Gebruik het snoer nooit om het elektrisch gereedschap te dragen, te trekken of om de stekker uit het stopcontact te trekken. Houd het snoer uit de buurt van hitte, olie, scherpe randen of bewegende delen.** *Een beschadigd of in de knoop geraakt snoeren verhoogt het risico op een elektrische schok toe.*
- Wanneer u elektrisch gereedschap buiten gebruikt, maak dan gebruik van een verlengsnoer dat geschikt is voor gebruik buitenshuis.** *Gebruik een verlengsnoer dat geschikt is voor gebruik buitenshuis om het risico op een elektrische schok te verminderen.*
- Indien het onvermijdelijk is elektrisch gereedschap te gebruiken in een vochtige omgeving, gebruik dan een energiebron met een aard lek beveiliging (Residual Current Device).** *Het gebruik van een RCD vermindert het risico op een elektrische schok.*

## 3) Persoonlijke veiligheid

- Blijf alert en gebruik uw gezonde verstand wanneer u elektrisch gereedschap bedient.** *Gebruik het elektrisch gereedschap niet wanneer u vermoeid bent of onder invloed van drugs, alcohol of medicijnen. Onoplettendheid tijdens het bedienen van elektrisch gereedschap kan leiden tot ernstig letsel.*
- Maak gebruik van persoonlijke bescherming.** *Drag altijd een veiligheidsbril. Passende bescherming voor de omstandigheden, zoals een stofmasker, niet-slipende veiligheidsschoenen en een helm of gehoorbescherming, vermindert het risico op persoonlijk letsel.*
- Zorg ervoor dat het apparaat niet per ongeluk wordt gestart.** *Controleer of de schakelaar in de 'uit' stand staat voordat u de stekker in het stopcontact steekt. Het dragen van elektrisch gereedschap met uw vinger op de schakelaar of het aansluiten op de stroom van elektrisch gereedschap met de schakelaar ingeschakeld kan tot ongelukken leiden.*
- Verwijder alle stel- of moersleutels voordat u het elektrische gereedschap inschakelt.** *Een moer- of stelsleutel die zich op een draaiend onderdeel van het elektrische gereedschap bevindt, kan leiden tot letsel.*
- Reik niet te ver. Blijf altijd stevig en in balans staan.** *Zo houdt u meer controle over het elektrische gereedschap in onverwachte situaties.*
- Drag geschikte kleding.** *Drag geen loshangende kleding of sieraden. Houd haren, kleding en handschoenen uit de buurt van bewegende delen. Loshangende kleding, sieraden en los hangende haren kunnen vast komen te zitten in bewegende delen.*
- Als er onderdelen voor stofafvoer- en stofverzameling worden meegeleverd, sluit deze dan aan en gebruik deze op de juiste wijze.** *Het gebruik van deze onderdelen kan het risico op stofgerelateerde ongelukken verminderen.*
- Gebruik en verzorging van elektrisch gereedschap**
  - Forceer elektrisch gereedschap niet.** *Gebruik elektrisch gereedschap dat geschikt is voor het werk dat u wilt uitvoeren. Geschikt elektrisch gereedschap werkt beter en veiliger op een passende snelheid.*
  - Gebruik het elektrische gereedschap niet als de schakelaar het apparaat niet in- en uitschakelt.** *Elektrisch gereedschap dat niet bedient kan worden met de schakelaar is gevaarlijk en moet gerepareerd worden.*
  - Haal de stekker uit het stopcontact voordat u instellingen aanpast, toebehoren verwisselt of het elektrische gereedschap opbergt.** *Dergelijke voorzorgsmaatregelen verminderen het risico op het per ongeluk starten van het elektrische gereedschap.*
  - Berg elektrisch gereedschap dat niet in gebruik is op buiten bereik van kinderen en laat mensen die niet bekend zijn met het elektrische gereedschap of met deze instructies het elektrische gereedschap niet bedienen.** *Elektrisch gereedschap is gevaarlijk in de handen van onervaren gebruikers.*

e) **Onderhoud uw elektrisch gereedschap.** *Controleer op foutieve uitlijning of het vaststaan van bewegende delen, gebroken onderdelen en elke andere afwijking die de werking van het elektrische gereedschap zou kunnen beïnvloeden. Indien het elektrische gereedschap beschadigd is, moet u het laten repareren voordat u het weer gebruikt. Veel ongelukken worden veroorzaakt door slecht onderhouden elektrisch gereedschap.*

f) **Houd snijwerktuigen scherp en schoon.** *Goed onderhouden snijwerktuigen met scherpe messen slaan minder snel vast en zijn gemakkelijker te bedienen.*

g) **Gebruik het elektrische gereedschap, toebehoren en onderdelen, etc. volgens deze instructies en volgens bestemming voor het specifieke type elektrisch gereedschap, en houd daarbij rekening met de werkomstandigheden en het uit te voeren werk.** *Gebruik van elektrisch gereedschap voor werkzaamheden die verschillen van die waarvoor het apparaat bestemd is, kan leiden tot gevaarlijke situaties.*

## 5) Onderhoud

a) **Laat uw elektrische gereedschap onderhouden door een gekwalificeerde vakman en gebruik alleen identieke vervangstukken.** *Zo bent u er zeker van dat de veiligheid van het elektrische gereedschap gewaarborgd blijft.*

# Veiligheid schuurmachines



**Voorzichtig!**

**Houdt de machine bij de geïsoleerde handvaten vast.** *Wanneer de machine door een stroomsnor schuurt komen onderdelen mogelijk onder stroom te staan wat kan resulteren in elektrische schok*

• **Klem het werkstuk op een stevige werkbank vast.** *Wanneer u het werkstuk met de hand vasthoudt of tegen uw lichaam klemt, verliest u mogelijk de controle over de machine*

• **Het is aanbevolen de machine via een aardlekschakelaar met een maximale lekstroom van 30 mA aan te sluiten op een stroombron**

• **Laat het stroom snoer wanneer nodig bij een geautoriseerd Triton service center vervangen om de kans op persoonlijk letsel te voorkomen**

a) **Drag te allen tijde de juiste bescherming.** *Drag een stofmasker (minimale beschermingswaarde FFP2), veiligheidsbril en gehoorbescherming*

b) **Het is de verantwoordelijkheid van de gebruiker om ervoor te zorgen dat personen die zich in de nabijheid van de werkruimte bevinden ook met de gepaste persoonlijke bescherming zijn uitgerust**

c) **Neem speciale voorzorgen bij het schuren van bepaalde houtsoorten (zoals beuk, eik, mahonie en teak), omdat het stof dat daarbij vrijkomt giftig is en bij bepaalde personen extreme reacties kan teweegbrengen**

d) **Bewerk geen materiaal vast asbest bevat.** *Neem contact op met een gekwalificeerd persoon wanneer u enigszins onzeker bent of materiaal asbest bevat*

e) **Schuur geen magnesium of legeringen met een hoog magnesiumgehalte**

f) **Ben bewust van verf op andere behandelingen op het te schuren materiaal.** *Vele behandelingen produceren schadelijk zaagsel. Bij werkzaamheden aan een gebouw van vóór 1960 is de kans op loodhoudende verf groter.*

g) **Het stof dat vrijkomt bij het afschuren van loodhoudende verf is vooral gevaarlijk voor kinderen, zwangere vrouwen en personen met hoge bloeddruk.** *Laat deze personen de werkplaats niet betreden, zijns niet met de juiste beschermende kleding*

h) **Gebruik wanneer mogelijk een stofafzuigstelsysteem om stof en afval onder controle te houden**

i) **Wees vooral voorzichtig wanneer u de machine voor zowel het schuren van hout als het schuren van metaal gebruikt.** *Vonken van de metaalbewerking kunnen houtschuurstof gemakkelijk doen ontbranden. Maak uw machine altijd grondig schoon om de kans op brand te verkleinen*

j) **De stofzak dient tijdens gebruik regelmatig, en na elk gebruik geleegd te worden. Zaagsel is mogelijk een explosierisico.** *Gooi zaagsel niet in open vuur. Wanneer stofdeeltjes in contact komen met water of oliedeeltjes ontstaat mogelijk spontane ontbranding*

k) **Werkvlakken en schuurpapier kunnen tijdens het gebruik erg heet worden.** *Leg het werk even stil als het werkvlak tekenen van brand (rook of as) vertoont, en laat het materiaal afkoelen. Raak het werkvlak of schuurpapier niet aan voordat het is afgekoeld.*

l) **Raak het bewegende schuurpapier niet aan**

m) **Schakel de machine uit voordat u het neerlegt**

n) **Gebruik geen nat schuurpapier.** *Vloeistoffen gaan mogelijk de motor in wat kan resulteren in elektrische schok*

o) **Ontkoppel de machine van de stroomtoevoer voor het maken van enige aanpassingen en/of het verwisselen van schuurpapier**

p) **Zijls wanneer het gereedschap gebruikt wordt zoals is voorgeschreven, is het niet mogelijk alle resterende risicofactoren te elimineren.** *Gebruik de machine bij enige twijfel niet*

# Productbeschrijving

1. Hulpbandvat
2. Hoofdbandvat
3. Stroomsnoer
4. Stofpoort
5. Aandrijfriem beschermkap
6. Klemgat
7. Band verstelknop
8. Schuurband
9. Aan-stand vergrendelknop
10. Aan/uit trekker schakelaar
11. Snelheidscontroleknop
12. Geventileerde motorbehuizing
13. Koolstofborsteloppen
14. Voorste schuurband roller
15. Band spanhendel
16. Aandrijfroller

## Inbegrepen accessoires:

17. Werkbank montagegemat
18. 2 x extra schuurbanden
19. 2 x schuurklemmen
20. Stofzak
21. Reserve aandrijfriem

## Gebruiksdoel

Middel tot 'Heavy-Duty' bandschuurmachine, voor het verwijderen van grote hoeveelheden materiaal, op zowel harde als zachte houtsoorten en soortgelijke materialen

## Het uitpakken van uw gereedschap

- Pak uw toestel / gereedschap uit. Inspecteer het en zorg dat u met alle kenmerken en functies vertrouwd raakt
- Controleer of alle onderdelen aanwezig zijn en in goede staat verkeren. Als er onderdelen ontbreken of beschadigd zijn, zorg dan dat deze vervangen worden voor u dit toestel / gereedschap gebruikt

## Voor gebruik

**⚠ WAARSCHUWING:** Zorg ervoor dat de machine ontkoppeld is van de stroombron voordat enige accessoires bevestigd of vervangen worden

**Let op:** De machine wordt volledig samengesteld geleverd en kan onmiddellijk gebruikt worden

Het aansluiten van het stof ontginningssysteem

- Het aansluiten van de machine op een stofzuiger of werkplaats ontginningssysteem is de verkozen methode
- Wanneer vacuüm ontginning niet verkrijgbaar is, sluit u de inbegrepen stofzak (20) op de stofpoort (4) aan:

1. Druk de stofzak op de bajonetaansluiting (afb. A) en draai om deze in plaats te vergrendelen. Zorg ervoor dat de stofzak rits gesloten is
2. Om de stofzak te verwijderen, draait u deze de andere kant op en trekt u deze van de machine

**WAARSCHUWING:** Bij het schuren van metaal mag de stofzak niet gebruikt worden. Hete metaaldeeltjes en vonken kunnen het resterende hout schuurstof doen ontbranden. Sluit de machine te allen tijde op een stofzuiger of werkplaats ontginningssysteem aan. Bij het schakelen van het schuren van metaal naar het schuren van hout (en andersom) maakt u de machine grondig schoon

## Het selecteren van een schuurband met de juiste korrelgrote

- Schuurbanden zijn verkrijgbaar met verschillende korrelgroottes. Veel gebruikte korrelgroottes zijn: ruw (korrel 40), medium (korrel 80 en 100) en fijn (korrel 120)
- Gebruik een grove korrel om ruwe afdekkingen te verwijderen, een medium korrel om het werkstuk glad te maken en een fijne korrel om een werkstuk af te werken
- Test de machine op een stuk afvalmateriaal om te bepalen wat de beste korrelgrote voor een specifiek werk is
- Voor een optimaal gebruik van uw schuurmachine raden wij aan altijd goede kwaliteit schuurbanden te kopen

**Let op:** Voor het verkrijgen van een goede afwerking gebruikt u na het schuren met de bandschuurmachine een vlakschuurmachine. Dit proces verwijdert het houtnerf detail. Het schuren met een vlakschuurmachine is aanbevolen wanneer het oppervlak geschilderd gaat worden

## Het bevestigen van een schuurband

**⚠ WAARSCHUWING:** Schakel de schuurmachine uit en trek de stekker uit het stopcontact voor het uitvoeren van inspectie, onderhoud en schoonmaak

1. Klap de band spanhendel (15) naar rechts om de spanning van de band te verslappen en de oude band van de machine af te schuiven (Afb. B)
2. Controleer of de nieuw te plaatsen band een goede lasverbinding heeft en de randen niet gerafeld zijn
3. Schuif de nieuwe band op zijn plaats (Afb. C) met de pijl aan de binnenkant van de band waarbij de punt in dezelfde richting wijst als de pijl aan de zijkant van de schuurmachine
4. Klap de band spanhendel naar links (Afb. D) om de band opnieuw te spannen
5. Steek de stekker in het stopcontact en druk de aan-/uit trekker schakelaar (10) in, terwijl u de schuurmachine omhoog houdt. Laat de band korte tijd draaien
6. Terwijl de band draait verstelt u de band verstelknop (7) om de band-loop op de aandrijfijlinder te centreren. Draai de verstelknop tot de band-loop correct gecentreerd is (u hoeft de knop maar licht te draaien om de band bij te stellen), en druk de trekker schakelaar voor een aantal seconden in om de band te verstellen. Laat de schuurmachine ongeveer een minuut draaien om er zeker van te zijn dat de band-loop correct gecentreerd is, voordat u de schuurmachine op een werkstuk zet

**WAARSCHUWING:** Gebruik de schuurmachine niet met een versleten of beschadigde schuurband

**WAARSCHUWING:** Gebruik verschillende schuurbanden voor hout en metaal. Metalen deeltjes komen vast te zitten in de band en kunnen krassen op hout achter laten.

## Gebruik

### Het in- en uitschakelen van de machine

1. Druk de trekker schakelaar (10) in om de schuurmachine te starten
2. Laat de trekker schakelaar los om de machine uit te schakelen
3. Druk de trekker schakelaar en de aan-stand vergrendelknop (9) in, om de machine in de aan-stand te vergrendelen (Afb. E)
4. Door de schakelaar weer in te drukken en los te laten, schakelt u de schuurmachine uit

### Het aanpassen van de snelheid

- De snelheid kan veranderd worden afhankelijk van het te schuren materiaal
- U wijzigt de snelheid door de variabele snelheidscontroleknop (11) te bewegen tot de juiste snelheid bereikt is voor het te schuren materiaal (Afb. F)

**Let op:** Wanneer de snelheidscontroleknop in de laagste stand '1' gesteld is bedraagt de bandsnelheid 200 min<sup>-1</sup>. Wanneer de snelheidscontroleknop in de hoogste stand '7' gesteld is bedraagt de bandsnelheid 400 min<sup>-1</sup>.

## Schuren

**WAARSCHUWING:** Bij het gebruik van de machine is het dragen van een veiligheidsbril, een stofmasker, gehoorbescherming en geschikte handschoenen aanbevolen

**Let op:** Klem het werkstuk wanneer mogelijk op de werkbank vast

**WAARSCHUWING:** Gebruik de machine niet voor het schuren van magnesium

**Let op:** Zorg ervoor dat de schuurband in goede staat verkeerd

1. Sluit de machine op de stroombron aan
2. Druk de trekker schakelaar (10) in en laat de band op snelheid komen voordat u de machine op het oppervlak zet
3. Druk de vergrendelknop (9) in voor het behouden van een continue snelheid
4. Houdt de schuurmachine met lichte druk op het oppervlak
5. Schuur met de houtnerf mee in parallel overlappende banen (Afb. G)
6. Voor het verwijderen van verf of het gladmaken van zeer ruw hout, schuurt u in twee richtingen met een hoek van 45° over het hout. Daarna werkt u het oppervlak parallel met de nerf mee af
7. Verwijder de schuurmachine van het werkstuk voordat u deze uitschakelt
8. Houd uw handen altijd uit de buurt van de draaiende band. De band blijft korte tijd na het uitschakelen van de machine doordraaien

**Let op:** Voor optimale stofontginning leegt u de stofzak wanneer deze halfvol is

**WAARSCHUWING:** Gebruik de stofzak niet bij het schuren van metalen. De hete metaaldeeltjes kunnen achtergebleven houtstof of de zak zelf doen ontbranden. Er kan een stofzuigeradapter gebruikt worden om een huishoudstofzuiger of bedrijfszuigstelsel om de schuurmachine aan te sluiten. De adapter past op de stofpoort (4)

### Het gebruik van de klemmen set

- De klemmen set (19) maakt het mogelijk de schuurmachine op zijn kop te gebruiken (Afb. H). De machine mag alleen in deze positie gebruikt worden wanneer deze veilig en stevig gemonteerd kan worden op een vast en plat werkoppervlak
1. Draai de machine om en plaats deze op een plat werkoppervlak. Zorg ervoor dat er genoeg ruimte is voor het plaatsen van de G-vormige klemmen
  2. Zorg ervoor dat de verticale rug van de klemmen in contact staat met de rand van het werkoppervlak

3. Draai de viendermoeren strak vast zodat de schuurmachine stevig op het werkkoppervlak staat
4. Verbind de stofzak (20) met de stofpoort van de machine
5. Start de machine en vergrendel deze in de aan-stand
6. Laat de band een aantal seconden onbelast lopen zodat u de montage van de machine op de werkbank kunt controleren. Maak zo nodig aanpassingen, maar niet voordat u de machine uitgeschakeld hebt en de schuurband volledig tot stilstand is gekomen

**WAARSCHUWING:** Gebruik de machine enkel in omgekeerde positie wanneer deze goed is vastgeklemd

**Let op:** Wanneer de machine vastgeklemd wordt, gebruikt u de mat (17) onder de machine om het oppervlak te beschermen tegen beschadiging en om beweging van de machine tijdens gebruik te voorkomen

## Accessoires

- Verschillende accessoires, waaronder schuurbanden met verschillende korrelgrootten, zijn verkrijgbaar bij uw Triton handelaar. Reserveonderdelen zijn verkrijgbaar via [toolsparesonline.com](http://toolsparesonline.com)

## Onderhoud

**WAARSCHUWING:** Ontkoppel de machine van de stroombron voordat u enig onderhoud of schoonmaak uitvoert

### Het legen van de stofzak (wanneer bevestigd)

**WAARSCHUWING:** Schakel de machine uit en ontkoppel deze van de stroomtoevoer voordat u de stofzak (20) ontkoppeld

1. Om de stofzak te ontkoppelen, draait en trekt u deze van de eenheid
2. Open de stofzak, leeg de zak en bevestig de zak terug op de eenheid

**Let op:** Wanneer het schuursel schadelijke deeltjes bevat als oude verf, vernis, coatings, etc., verwijderd u het schuursel volgens de plaatselijke wetten en regulaties

**WAARSCHUWING** Voor een optimale stofontginning legt u de zak voordat deze halfvol is

**Let op:** Maak de machine grondig schoon wanneer u schakelt van het schuren van hout naar het schuren van metaal (en andersom)

### Algemene inspectie

- Controleer regelmatig of alle bevestigingsschroeven vastzitten
- Het voedingsnoer van de machine en eventuele verlengsnoeren moeten regelmatig op breuken gecontroleerd worden. Als het snoer beschadigd is moet het door een erkend vakman vervangen worden

### Schoonmaak

- Houd uw machine schoon. Zorg ervoor dat afval zich niet ophoopt op de onderdelen van het gereedschap. Verwijder stof en vuil en zorg ervoor dat de ventilatiegaten nooit verstopt raken. Gebruik een zachte borstel of een droge doek om de machine te reinigen. Gebruik wanneer mogelijk zuivere, droge perslucht om door de luchtgaten te blazen
- Maak de behuizing van de machine met een vochtige doek en een licht schoonmaakmiddel schoon. Gebruik geen alcohol of bijtende stoffen
- Gebruik geen oplosmiddelen voor het schoonmaken van plastic onderdelen

## Smeren

- De bewegende delen van de machine horen regelmatig licht gemaard te worden

## Koolstofborstels

- Na verloop van tijd zullen de koolstofborstels in de motor verslijten.
- Bij overmatige slijtage van de borstels verliest de motor mogelijk vermogen, start het niet meer, en/of produceert het overmatig vonken.
- De borstels dienen in paren vervangen te worden

### Het vervangen van de koolstofborstels

**⚠ WAARSCHUWING:** Zorg er voor dat de machine is uitgeschakeld en ontkoppeld is van de stroombron voordat u de borstels vervangt

1. Vind de geventileerde motorbehuizing (12) en de twee schoef koolstofborsteldoppen (13)
2. Verwijder de doppen met een sleufschroevendraaier en verwijder de koolstofborstels
3. De inkepingen op de uiteinden van de koolstofborstels lijnen uit met de gaten. Plaats de borstels in de gaten en schroef de doppen vast

**Let op:** Vervang de borstel één voor één maar altijd in paren

4. Wanneer de koolstofborstels vervangen zijn, sluit u de machine op de stroombron aan en schakelt u de machine in om te controleren of deze werkt
5. Als de machine niet werkt, herhaalt u bovenstaande stappen. Als de machine daarna nog niet werkt, neemt u contact op met een Triton service center

### Het vervangen van de aandrijfriem

**Let op:** Een reserve aandrijfriem is inbegrepen. Verdere vervangende onderdelen zijn verkrijgbaar bij uw Triton handelaar of via [www.toolsparesonline.com](http://www.toolsparesonline.com)

1. Met een kruiskopschroevendraaier verwijderd u de schroef die de aandrijfriem bescherming (5) op zijn plaats houdt.
2. Verwijder de versleten riem door hem los te schroeven van de onderste brede aandrijfriem.
3. Verwijder stof en materiaalresten.
4. Plaats de nieuwe aandrijfriem over de bovenste aandrijfriem en duw deze over de bredere rol, draai de riem tot deze in de groeven van elke rol zit.
5. Plaats de aandrijfriem bescherming terug en schroef de bevestigingsschroef goed vast
6. Test de machine met een lage bandsnelheid. Bij een juiste bevestiging is de machine klaar voor gebruik

### Opberging

- Berg de machine op een droge en veilige plek, buiten het bereik van kinderen op

## Verwijdering

Bij de verwijdering van elektrische machines neemt u de nationale voorschriften in acht.

- Elektrische en elektronische apparaten mogen niet met uw huishoudelijk afval worden weggegooid
- Neem contact op met uw gemeente voor informatie betreffende de verwijdering van elektrisch gereedschap

## Probleemopsporing

Probleem	Mogelijke oorzaak	Oplossing
De machine werkt niet wanneer de trekker schakelaar (10) ingeknepen wordt	Geen stroom	Controleer de stroombron
	Defecte trekker schakelaar	Laat de schakelaar bij een geautoriseerd service center vervangen
De machine trekt naar een kant tijdens gebruik	Onjuiste schuurband uitlijning	Lijn de schuurband met behulp van de band verstelknop (7) uit. Als het probleem niet is opgelost, neemt u contact op met een geautoriseerd service center
	Losse schuurband	Zorg ervoor dat de schuurband spanhendel (15) volledig gesloten is
De schuurband draait zonder het inknippen van de trekker schakelaar	De aan-stand vergrendelknop (9) is vergrendeld	Knijp de trekker schakelaar in en laat deze gelijk weer los om de machine uit te schakelen



## Garantie

Om uw garantie te registreren, gaat u naar onze website op [www.tritontools.com](http://www.tritontools.com)\* en voert u uw gegevens in.

Uw gegevens worden opgeslagen in onze mailinglist (tenzij u anders aangeeft) voor informatie over nieuwe producten. De ingevulde gegevens worden aan geen enkele andere partij beschikbaar gesteld.

## Aankoopgegevens

Datum van aankoop: \_\_\_ / \_\_\_ / \_\_\_

Model: T41200BS

Bewaar uw aankoopbon als aankoopbewijs rt pr

Triton Precision Power Tools garandeert de koper van dit product dat indien een onderdeel defect is vanwege fouten in materiaal of uitvoering binnen 3 jaar na de datum van de oorspronkelijke aankoop,

Triton het defecte onderdeel gratis repareert of, naar eigen inzicht, vervangt.

Deze garantie heeft geen betrekking op commercieel gebruik en strekt zich niet uit tot normale slijtage of schade ten gevolge van een ongeluk, verkeerd gebruik of misbruik.

\* Registreer online binnen 30 dagen.

Algemene voorwaarden van toepassing.

## EG-verklaring van overeenstemming

**De ondergetekende:** Mr. Darrell Morris

**Gemachtigd door:** Triton Tools

**Verklaart dat:** Deze verklaring wordt verstrekt onder de volledige verantwoordelijkheid van de fabrikant. Het hierboven beschreven voorwerp is conform de desbetreffende communautaire harmonisatiewetgeving

**Identificatienummer:** T41200BS

**Beschrijving:** 1200 W bandschuurmachine

**Voldoet aan de volgende richtlijnen:**

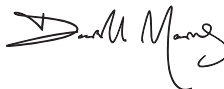
- Machinerichtlijn 2006/42/EG
- Elektromagnetische verenigbaarheid 2014/30/EU
- RoHS-richtlijn 2011/65/EG
- EN60745-1:2009+A11:2010
- EN60745-2-4:2009+A11:2011
- EN55014-1:2006+A1:2009+A2:2011
- EN55014-2:1997+A1:2001+A2:2008
- EN61000-3-2:2014
- EN61000-3-3:2013

**Keuringsinstantie:** TÜV Rheinland Co., Ltd

**De technische documentatie wordt bijgehouden door:** Triton Tools

**Datum:** 04-07-2016

**Handtekening:**



Darrell Morris

Algemeen directeur

**Naam en adres van fabrikant:**

Powerbox International Limited, handelsregister nummer 06897059. Powerbox, Boundary Way, Lufton Trading Estate, Yeovil, Somerset, BA22 8HZ, Verenigd Koninkrijk

# Traduction des instructions originales

## Introduction

Nous vous remercions d'avoir choisi cet équipement Triton. Ces instructions contiennent les informations nécessaires pour vous en garantir un fonctionnement efficace et en toute sécurité. Veuillez lire attentivement ce manuel pour vous assurer de tirer pleinement avantage des caractéristiques uniques de votre nouvel équipement.

Gardez ce manuel à portée de main et assurez-vous que tous les utilisateurs l'aient lu et bien compris avant toute utilisation. Conservez-le pour toute référence ultérieure.

## Description des symboles

La plaque signalétique figurant sur votre outil peut présenter des symboles. Ces symboles constituent des informations importantes relatives au produit ou des instructions concernant son utilisation.



Port de protection auditive  
Port de lunettes de sécurité  
Port de masque respiratoire  
Port de casque



Port de gants



Lire le manuel d'instructions



NE PAS utiliser sous la pluie ou dans un environnement humide !



**ATTENTION** : les pièces mobiles peuvent occasionner écrasements et coupures.



Construction de classe II (Double isolation pour une protection supplémentaire)



**Protection de l'environnement** Les appareils électriques usagés ne doivent pas être jetés avec les ordures ménagères. Veuillez les recycler dans les centres prévus à cet effet. Pour de plus amples informations, veuillez contacter votre municipalité ou point de vente.



Conforme à la réglementation et aux normes de sécurité pertinentes.



Attention !



Émanation de fumées ou de gaz toxiques !

## Abréviations pour les termes techniques

V	Volt
~	Courant alternatif
A	Ampère
$n_0$	Vitesse à vide
Hz	Hertz
Watt, Kilowatt	Watt, Kilowatt
/min oder min <sup>-1</sup>	(opérations) par minute

## Caractéristiques techniques

Número de modèle :	T41200BS
Tension :	220 V–240 V, 50/60 Hz
Longueur du cordon d'alimentation :	2,6 m
Puissance d'entrée :	1 200 W
Vitesse des roues :	2 500 tr/min
Vitesse à vide :	200 – 400 m/min
Classe de protection :	
Indice de protection :	IP20
Surface de ponçage :	100 x 156 mm
Dimensions de la bande abrasive :	100 x 610 mm
Dimensions de la ponceuse (L x l x H) :	410 x 181 x 181 mm
Poids :	6 kg
<b>Informations sur le niveau d'intensité sonore et vibratoire:</b>	
Pression acoustique $L_{pA}$ :	95,4 dB(A)
Puissance acoustique $L_{WA}$ :	106,4 dB(A)
Incertitude K:	3 dB
Vibration pondérée $a_h$ (poignée principale):	4,92 $m/s^2$
Vibration pondérée $a_h$ (poignée avant):	6,70 $m/s^2$
Incertitude K:	1,5 $m/s^2$
<b>L'intensité sonore peut dépasser 85 dB(A) et il est nécessaire que l'utilisateur porte des protections auditives.</b>	

Du fait de l'évolution constante de nos produits, les caractéristiques des produits Triton peuvent changer sans notification préalable.

**ATTENTION** : Portez toujours des protections sonores lorsque le niveau d'intensité est supérieur à 85 dB(A) et limitez le temps d'exposition si nécessaire. Si l'intensité sonore devient inconfortable, même avec les protections, arrêtez immédiatement d'utiliser l'appareil, vérifiez que les protections sont bien en places et adaptés avec le niveau sonore produit par l'appareil.

**ATTENTION** : L'exposition de l'utilisateur aux vibrations peut engendrer une perte de toucher, des engourdissements, des picotements et ainsi réduire la capacité de préhension. De longues expositions peuvent également provoquer ces symptômes de façon chronique. Si nécessaire, limitez le temps d'exposition aux vibrations et portez des gants anti-vibrations. N'utilisez pas cet appareil lorsque la température de vos mains est en dessous des températures normales, car l'effet vibratoire en est accentué. Référez-vous au cas de figures des caractéristiques relatives aux vibrations pour calculer le temps et fréquence d'utilisation de l'appareil.

Les niveaux sonores et vibratoires des caractéristiques techniques sont déterminés en fonction de la norme **EN60745** ou autres normes internationales. Ces données correspondent à un usage normale de l'appareil, et ce dans des conditions de travail normales. Un appareil mal entretenu, mal assemblé ou mal utilisé peut augmenter les niveaux sonores et vibratoires. Pour plus d'informations sur la directive des émissions sonores et vibratoires, visitez le site <http://osha.europa.eu/fr>.

# Consignes générales de sécurité

**AVERTISSEMENT :** Veuillez lire toutes les consignes de sécurité et toutes les instructions. La non-respect des instructions et consignes de sécurité peut entraîner un risque de décharge électrique, d'incendie et/ou se traduire par des blessures graves.

**AVERTISSEMENT :** Cet appareil n'est pas prévu pour être utilisé par des personnes (enfants y compris) ayant des capacités mentales ou physiques réduites ou manquant d'expérience à moins qu'ils soient supervisés ou qu'une personne responsable de leur sécurité leur donne des instructions concernant l'utilisation de cet appareil.

Veuillez conserver ces instructions et consignes de sécurité pour référence ultérieure.

L'expression « appareil/outil électrique » employée dans les présentes consignes recouvre aussi bien les appareils filaires à brancher sur secteur que les appareils sans fils fonctionnant avec batterie.

## 1. Sécurité sur la zone de travail

- Maintenir une zone de travail propre et bien éclairée. Des zones encombrées et mal éclairées sont sources d'accidents.
- Ne pas utiliser d'outils électriques dans des environnements explosifs, tels qu'à proximité de liquides, de gaz ou de poussières inflammables. Les outils électriques produisent des étincelles susceptibles d'enflammer la poussière ou les vapeurs présentes.
- Éloigner les enfants et toute personne se trouvant à proximité pendant l'utilisation d'un outil électrique. Ceux-ci pourraient vous distraire et vous faire perdre la maîtrise de l'appareil.

## 2. Sécurité électrique

- Les prises des outils électriques doivent correspondre aux prises du secteur. Ne modifiez jamais la prise en aucune façon. N'utilisez jamais d'adaptateur avec les outils électriques mis à la terre. Des prises non modifiées, adaptées aux boîtiers de prise de courant, réduiraient les risques de décharge électrique.
- Éviter le contact corporel avec les surfaces mises à la terre telles que tuyaux, radiateurs, cuisinières et réfrigérateurs. Le risque de décharge électrique est plus important si votre corps est mis à la terre.
- Ne pas exposer votre outil électrique à la pluie ou à l'humidité. L'infiltration d'eau dans un outil électrique augmentera le risque de décharge électrique.
- Ne pas maltraiter le cordon électrique. N'utilisez jamais le cordon électrique pour porter, tirer ou débrancher l'outil électrique. Conservez le cordon électrique à l'écart de la chaleur, de l'essence, de bords tranchants ou de pièces en mouvement. Un cordon électrique endommagé ou entortillé accroît le risque de décharge électrique.
- Au cas où l'outil électroportatif serait utilisé à l'extérieur, servez-vous d'une rallonge appropriée à une utilisation en extérieur. Cela réduit le risque de décharge électrique.
- Si une utilisation de l'outil dans un environnement humide ne peut être évitée, utilisez une alimentation protégée par un disjoncteur différentiel. L'utilisation d'un disjoncteur différentiel réduit le risque de décharge électrique.

## 3. Sécurité des personnes

- Rester vigilant et faire preuve de sens lors de la manipulation de l'outil. Ne pas utiliser d'outil électrique en état de fatigue ou sous l'influence de drogues, d'alcool ou de médicaments. Un moment d'inattention pendant l'utilisation d'un outil électrique peut se traduire par des blessures graves.
- Porter des équipements de protection. Porter toujours des lunettes de protection. Le port d'équipements de protection tels que des masques à poussières, des chaussures de sécurité antidérapantes, un casque de sécurité ou des protections antibruit, selon le travail à effectuer, réduira le risque de blessures aux personnes.
- Éviter tout démarrage accidentel. S'assurer que l'interrupteur marche-arrêt soit en position d'arrêt (Off) avant de brancher l'outil sur l'alimentation secteur. Porter un outil électrique tout en maintenant le doigt posé sur l'interrupteur ou brancher un outil électrique dont l'interrupteur est sur la position de marche (On) est source d'accidents.
- Enlever toute clé ou tout instrument de réglage avant de mettre l'outil électrique en marche. Une clé ou un instrument de réglage laissé fixé à un élément en rotation de l'outil électrique peut entraîner des blessures physiques.
- Ne pas essayer d'atteindre une zone hors de portée. Se tenir toujours en position stable et conserver l'équilibre. Cela permet de mieux contrôler l'outil électrique dans des situations inattendues.
- Porter des vêtements appropriés. Ne pas porter de vêtements amples ou des bijoux pendants. Les vêtements amples, les bijoux pendants ou les cheveux longs peuvent être happés par les pièces en mouvement.
- Si l'outil est pourvu de dispositifs destinés au raccord d'équipements d'extraction et de récupération de la poussière/sciure, s'assurer qu'ils soient bien fixés et utilisés correctement. L'utilisation de ces dispositifs peut réduire les risques dus à la poussière.

## 4. Utilisation et entretien des outils électriques

- Ne pas surcharger l'outil électrique. Utilisez l'outil électrique approprié au travail à effectuer. Un outil électrique adapté et employé au rythme pour lequel il a été conçu permettra de réaliser un travail de meilleure qualité et dans de meilleures conditions de sécurité.
- Ne pas utiliser un outil électrique dont l'interrupteur marche-arrêt est hors service. Tout outil électrique dont la commande ne s'effectue plus par l'interrupteur marche-arrêt est dangereux et doit être réparé.
- Débrancher l'outil électrique avant d'effectuer tout réglage, changement d'accessoire ou avant de le ranger. De telles mesures préventives réduiront les risques de démarrage accidentel.
- Ranger les outils électriques inutilisés hors de portée des enfants et ne pas permettre

l'utilisation de ces outils aux personnes novices ou n'ayant pas connaissance de ces instructions. Les outils électriques sont dangereux dans les mains d'utilisateurs inexpérimentés.

- Veiller à l'entretien des outils électriques. Vérifier que les éléments rotatifs soient bien alignés et non grippés. S'assurer de l'absence de pièces cassées ou endommagées susceptibles de nuire au bon fonctionnement de l'outil. Si l'outil électrique est endommagé, le faire réparer avant toute utilisation. De nombreux accidents sont causés par l'utilisation d'outils électriques mal entretenus.
  - Garder les outils de coupe affûtés et propres. Des outils de coupe bien entretenus, aux tranchants bien affûtés, sont moins susceptibles de se gripper et sont plus faciles à contrôler.
  - Utiliser l'outil électrique, les accessoires et les outils à monter, etc., conformément à ces instructions et selon l'utilisation prévue pour le type d'outil donné, en tenant compte des conditions de travail et de la tâche à réaliser. Toute utilisation de cet outil électrique autre que celle pour laquelle il a été conçu peut entraîner des situations à risque et entraînerait une annulation de sa garantie.
- ## 5. Entretien
- Ne faire réparer l'outil électrique que par un réparateur qualifié utilisant uniquement des pièces de rechange identiques. Cela permettra d'assurer la sécurité continue de cet outil électrique.

# Consignes de sécurité relatives aux outils de ponçage



- Tenez l'outil électrique uniquement par ses poignées ou surfaces de préhension isolées, en effet, la bande ou la feuille abrasive pourrait entrer en contact avec le câble d'alimentation de l'appareil. La coupure du câble sous tension pourrait mettre l'appareil sous tension et occasionner un choc électrique chez l'utilisateur.
  - Utilisez un serre-joint ou un étai pour maintenir la pièce de travail sur une surface stable. Tenir la pièce de travail à la main ou contre le corps la rend instable et peut causer une perte de contrôle.
  - Il est fortement recommandé d'alimenter l'appareil par le biais d'un disjoncteur différentiel dont le courant résiduel nominal est de 30 mA ou moins.
  - S'il est nécessaire de remplacer le cordon d'alimentation, cela doit être fait par le fabricant ou un de ses agents agréés pour éviter tout danger.
- Portez TOUJOURS des équipements de sécurité appropriés, parmi lesquels un masque anti-poussières d'une protection minimale FFP2, des lunettes de sécurité et un casque anti-bruit.
  - Il vous appartient de veiller à ce que les personnes se trouvant à proximité de votre zone de travail soient également protégées par des équipements adéquats.
  - Prenez des précautions particulières lors du ponçage de certaines essences de bois (le hêtre, le chêne, l'acajou et le teck, par exemple) car la poussière produite est toxique et peut provoquer des réactions allergiques chez certaines personnes.
  - Ne vous servez jamais de cet outil pour travailler sur des matériaux contenant de l'amiante. Consultez un professionnel qualifié si vous ne savez pas si un objet contient de l'amiante.
  - Ne ponchez pas le magnésium ni les alliages qui en contiennent une proportion élevée.
  - Tenez compte des peintures de finition et des traitements qui peuvent avoir été appliqués sur la matière à poncer. De nombreux traitements peuvent produire une poussière toxique ou dangereuse pour la santé. Si vous travaillez dans un bâtiment dont la construction est antérieure à 1960, sachez que la présence de peintures à base de plomb est fort probable.
  - La poussière produite par le ponçage des peintures à base de plomb est particulièrement dangereuse pour les enfants, les femmes enceintes et les personnes atteintes d'hypertension. Assurez-vous que ces personnes se tiennent à l'écart de la zone de travail, même si elles portent un équipement de protection adéquat.
  - Dans la mesure du possible, employez un système d'extraction des poussières pour mieux contrôler la dispersion des poussières.
  - Observez la plus grande prudence lors de l'utilisation d'un même appareil pour poncer le bois et le métal. Les étincelles du métal peuvent aisément enflammer les particules de bois. Nettoyez TOUJOURS l'outil complètement pour réduire le risque d'incendie.
  - Videz régulièrement le sac ou bac à poussière durant l'utilisation, avant de prendre une pause et après avoir fini de poncer. La poussière peut représenter un risque d'explosion. N'incinerez pas la poussière de ponçage. Une combustion spontanée peut se produire lorsque des particules d'huile ou d'eau entrent en contact avec les particules de poussière. Éliminez les déchets de ponçage avec précaution et conformément aux lois et réglementations locales.

k. Les surfaces de travail et le papier abrasif peuvent atteindre des températures très élevées au cours du travail ; en cas de signe de combustion (fumée ou cendre) de la surface de travail, arrêtez l'opération en cours et attendez que le matériel refroidisse. Ne touchez pas la surface de travail ni le papier abrasif avant qu'ils n'aient eu le temps de refroidir.

l. Ne touchez pas la feuille de ponçage lorsqu'elle est en mouvement.

m. Éteignez toujours l'appareil avant de le déposer.

n. Ne vous servez pas de cet outil pour le ponçage humide. Les liquides qui entrent dans le boîtier moteur peuvent causer des chocs électriques graves.

o. Débranchez toujours l'appareil avant de procéder au changement ou à l'installation d'un accessoire. Même lorsque l'outil est utilisé comme indiqué, il est impossible d'éliminer tous les facteurs de risque résiduels. Si vous avez des doutes quant à la manière sûre et correcte de procéder, il est recommandé de ne pas utiliser cet outil.

## Se familiariser avec le produit

1. Poignée avant
2. Poignée arrière
3. Cordon d'alimentation
4. Tubulure d'extraction des poussières
5. Cache de la courroie de transmission
6. Trou de la pince de serrage
7. Bouton de centrage de la bande
8. Bande abrasive
9. Bouton de marche continue
10. Commutateur à gâchette marche/arrêt
11. Variateur de vitesse
12. Capot du moteur avec événements
13. Cache d'accès aux balais de charbon
14. Rouleau avant de la bande
15. Levier de tension de la bande
16. Rouleau d'entraînement

### Accessoires inclus :

17. Support pour le montage sur établi
18. 2 Bandes abrasives de rechange
19. 2 Pincettes d'inversion
20. Sac à poussières
21. Courroie de transmission de rechange

## Usage conforme

Ponceuse à bande pour réaliser des ponçages moyens à intensifs afin de retirer une grande quantité de matériau aussi bien sur bois tendre que dur et autres matériaux similaires.

## Déballage

- Déballer le produit avec soin. Veillez à retirer tout le matériau d'emballage et familiarisez-vous avec toutes les caractéristiques du produit.
- Si des pièces sont endommagées ou manquantes, faites-les réparer ou remplacer avant d'utiliser l'appareil.

## Avant utilisation

**ATTENTION :** Assurez-vous que l'outil est éteint et débranché de la source d'alimentation avant de procéder à la pose ou au retrait d'un accessoire, ou de réaliser toute opération de réglage, de nettoyage ou d'entretien.

**Remarque :** Cette ponceuse est livrée entièrement assemblée. Elle est par conséquent immédiatement prête à l'emploi.

### Branchement du dispositif d'extraction des poussières

- Brancher l'appareil sur un aspirateur ou sur un dispositif d'extraction des poussières d'atelier est le moyen recommandé pour l'extraction des poussières.
- Si un dispositif d'extraction des poussières n'est pas disponible, vous devez installer le sac à poussières (20) fourni sur la tubulure d'extraction des poussières (4) :

1. Utilisez le système baïonnette, en poussant le sac à poussière (Image A) et en tournant jusqu'à ce que la baïonnette soit verrouillée. Assurez-vous que la fermeture-éclair du sac soit bien fermée.
2. Pour retirer le sac à poussières, désengagez la baïonnette en la tournant vers l'extérieur puis en tirant dessus.

**ATTENTION :** Retirez et N'utilisez PAS le sac à poussières lors du ponçage du métal. Les particules encore chaudes de métal et les étincelles produites peuvent enflammer les résidus de poussières de bois ou mettre le feu au sac. Branchez toujours la ponceuse sur un système d'extraction des poussières d'atelier ou un aspirateur lorsque vous ponchez du métal. Nettoyez toujours complètement l'appareil lorsque vous passez d'un ponçage du bois au ponçage du métal et vice versa.

## Sélection de la granulométrie de la bande abrasive

- Il existe des bandes de grains différents disponibles chez votre revendeur Triton. Les granulométries les plus courantes sont : grain gros (grain 40), grain moyen (grains 80 et 100), et grain fin (grain 120).
- Utilisez le gros grain pour une finition grossière, le grain moyen pour adoucir et le grain fin pour la finition.
- Il est conseillé de faire un essai sur un petit morceau de matériau pour vérifier si la bande abrasive est la mieux adaptée à la tâche à réaliser.
- Pour tirer le meilleur de votre ponceuse, procurez-vous toujours des bandes abrasives de bonne qualité.

**Remarque :** Après un ponçage à la ponceuse à bande, une ponceuse orbitale peut être utilisée pour parfaire la finition. Cependant, ce processus entraîne la perte du détail du grain du bois. Utilisez en plus une ponceuse orbitale est recommandé si vous avez l'intention de peindre la surface de bois, ou si vous ne souhaitez pas conserver la visibilité du grain du bois.

### Pose d'une bande abrasive

**ATTENTION :** Débranchez toujours l'appareil de sa source d'alimentation avant d'effectuer une inspection, entretien ou nettoyage.

1. Relevez le levier de tension de la bande (15) pour relâcher la tension de la bande et pour la décharger (Image B).
2. Vérifiez que le raccord de la bande de rechange est solide et que ses bords ne s'effilochent pas.
3. Installez la nouvelle bande (Image C) en vous assurant que la flèche imprimée à l'intérieur de la bande indique la même direction que celle figurant sur le côté de la ponceuse.
4. Rabaissez le levier de tension de la bande (Image D) pour tendre la bande.
5. Branchez la ponceuse et, en la tenant fermement, appuyez sur la gâchette marche/arrêt (9) pour laisser tourner la bande pendant un court instant.
6. Pendant que la bande tourne, centrez-la bien sur le rouleau (16) au moyen du bouton de centrage (7). Répétez cette procédure jusqu'à ce que la bande soit correctement centrée. Une faible rotation du bouton suffit pour la déplacer. Laissez-la tourner après chaque réglage afin qu'elle prenne sa place. Faites tourner la ponceuse pendant une minute environ pour vérifier le bon centrage de la bande avant de l'utiliser sur une pièce d'ouvrage.

**ATTENTION :** Cessez toute utilisation lorsque la bande est usée ou endommagée.

**ATTENTION :** N'utilisez pas la même bande à poncer pour le bois et le métal. Les particules de métal s'incrusteront dans la bande et viendront rayer la surface du bois.

## Instructions d'utilisation

### Mise en marche/arrêt

1. Appuyez sur le commutateur à gâchette marche/arrêt (10) et maintenez appuyé pour mettre la ponceuse en marche.
2. Pour arrêter votre ponceuse, il vous suffit de relâcher le commutateur à gâchette.
3. Il est possible de mettre la ponceuse en mode de marche continue en appuyant sur le commutateur à gâchette et en enfonceant le bouton de marche continue (9) (Image E).
4. Pour désactiver le mode de marche continue, appuyez sur le commutateur à gâchette marche/arrêt, ce qui va désengager le bouton de marche continue, puis, relâchez le commutateur à gâchette pour éteindre votre ponceuse à bande.

### Réglage de la vitesse

- La vitesse peut être ajustée pour être adaptée au matériau à poncer.
- Pour régler la vitesse, faites tourner le variateur de vitesse (11) jusqu'à ce que la bonne vitesse soit atteinte (Image F).

**Remarque :** Lorsque le variateur de vitesse est en position « 1 » indiquant la vitesse la plus basse, la vitesse est de 200 m/min ; lorsque le variateur de vitesse est en position « 7 » indiquant la vitesse la plus élevée, la vitesse est de 400 m/min.

### Ponçage

**ATTENTION :** Portez toujours des protections oculaires et auditives, un masque respiratoire adéquat et des gants appropriés lorsque vous utilisez cet appareil.

Remarque : Si possible, utilisez toujours un système de serrage pour immobiliser la pièce de travail sur l'établi.

**ATTENTION :** N'utilisez pas cette ponceuse pour poncer du magnésium.

**Remarque :** Assurez-vous toujours que la bande abrasive soit toujours en bon état.

1. Branchez l'appareil sur le secteur.
2. Appuyez sur le commutateur à gâchette (10) et laissez la bande atteindre la vitesse voulue avant de poser l'outil sur la surface à poncer.
3. Appuyez sur le bouton de marche continue (9) si vous souhaitez travailler pendant une période prolongée.
4. Abaissez l'outil sur la surface en appliquant une légère pression.
5. Ponchez dans le sens du fil en effectuant des courses parallèles chevauchantes (Image G).
6. Pour enlever de la peinture ou aplaner un bois très rugueux, ponchez en travers du fil à 45° dans les deux sens puis finissez dans le sens du fil.
7. Soulevez la ponceuse de la surface avant de l'éteindre.

8. Rappelez-vous de garder les mains à l'écart de la bande au moment d'éteindre l'appareil car elle continue à tourner pendant un court instant.

**Remarque :** Pour un ponçage plus efficace, videz le sac à poussière avant qu'il ne soit à moitié plein.

**ATTENTION :** N'utilisez pas le sac à poussières (20) lors du ponçage de métal. Les particules chaudes de métal et les étincelles produites peuvent enflammer les résidus de poussières de bois ou mettre le feu au sac. Branchez toujours la ponceuse sur un système d'extraction de la poussière d'atelier ou un aspirateur domestique. L'adaptateur se fixe sur la tubulure d'extraction des poussières (4).

## Utilisation des pinces d'inversion

Les pinces d'inversion (19) permettent d'utiliser la ponceuse à bande Triton en position inversée (image H). La ponceuse ne peut s'utiliser en position inversée que lorsqu'elle est fermement fixée sur une surface solide et plane.

- Placez la machine à l'envers sur une surface de travail solide et plane. Assurez-vous que la surface d'appui soit plane et qu'il y ait un espace suffisant pour y disposer sans difficulté les pinces en forme de G.
- Insérez les pinces d'inversion à fond dans les emplacements de fixation prévus sur la ponceuse. Assurez-vous que la section fileté de chacune des presses d'inversion repose bien contre le bord du plan de travail.
- Resserrez les vis papillons de manière à bien fixer l'appareil contre le plan de travail.
- Installez le dispositif d'extraction des poussières ou le sac à poussières (20).
- Allumez la ponceuse et actionnez le bouton de marche continue 9).
- Laissez-la fonctionner un instant pour vérifier la solidité du montage et le bon centrage de la bande. Si nécessaire, éteignez l'appareil et corrigez le montage.

**ATTENTION :** N'employez PAS la ponceuse en poste fixe si elle n'est pas solidement fixée au plan de travail.

**Remarque :** Lorsque vous utilisez votre ponceuse en mode stationnaire, disposez le support pour le montage sur établi (17) sous la ponceuse afin de protéger la surface de travail et éviter tout mouvement inopiné de la ponceuse en cours d'utilisation.

## Accessoires

- Une large gamme d'accessoires, comprenant des bandes abrasives de granulométries différentes est disponible chez votre revendeur Triton. Vous pouvez également commander des pièces de rechange sur [toolsparensonline.com](https://toolsparensonline.com)

## Entretien

**Avertissement :** Pensez TOUJOURS à débrancher l'appareil avant procéder à toute opération d'inspection, d'entretien ou de nettoyage.

Vider le sac à poussières (si préinstallé)

**ATTENTION :** Éteignez et débranchez toujours l'appareil de sa source d'alimentation avant de désinstaller un dispositif d'extraction des poussières.

- Pour retirer le sac à poussières, tournez vers l'arrière pour désengager la baionnette, puis tirez (image A).
- Ouvrez le sac à poussières et réinstallez-le (Voir 'Branchement du système d'extraction des poussières').

**Remarque :** Si la poussière du ponçage contient des substances nocives, comme des particules de vieilles peintures, vernis, enduits, etc., recyclez ces substances conformément aux réglementations en vigueur.

**ATTENTION :** Pour un ponçage plus efficace, videz le sac à poussières avant qu'il ne soit à moitié plein.

**Remarque :** Nettoyez toujours complètement l'appareil lorsque vous passez d'un ponçage de bois au ponçage de métal et vice versa.

## Inspection générale

- Vérifiez régulièrement que toutes les vis de fixations soient toujours bien serrées. Elles peuvent devenir lâches au cours du temps à cause des vibrations.
- Vérifiez le câble d'alimentation de l'appareil avant chaque utilisation, à la recherche de tout signe de dommage ou d'usure. Toute réparation doit être réalisée par un centre agréé Triton. Ceci s'applique également pour les rallonges utilisées avec cet appareil.

## Nettoyage

- Veillez à garder cet outil propre en permanence. La saleté et la poussière peuvent entraîner l'usure prématurée des parties internes et raccourcir la durée de vie de l'appareil. Nettoyez l'appareil à l'aide d'une brosse douce ou d'un chiffon sec. Si possible, utilisez de l'air propre et sec sous pression sur les orifices de ventilation.
- Nettoyez à l'aide d'un chiffon humide et un détergent doux. N'utilisez ni alcool, essence ou de détergent fort.
- N'utilisez jamais d'agent caustique pour nettoyer des pièces en plastique.

## Lubrification

- Lubrifiez régulièrement les parties mobiles avec un vaporisateur de lubrifiant approprié.

## Balais de charbon

- Avec le temps, les balais de charbon du moteur s'usent. Ce processus d'usure est accéléré si la machine est surchargée ou utilisée dans des environnements poussiéreux.
- Si les balais sont excessivement usés, le rendement du moteur peut diminuer, la machine peut ne pas démarrer ou une quantité anormale d'étincelles peut être observée.
- Si vous soupçonnez une usure des balais, faites-les remplacer toujours par paire.

## Remplacement des balais de charbon

**ATTENTION :** Éteignez et débranchez toujours l'appareil de sa source d'alimentation on avant de procéder au remplacement des balais de charbon.

- Repérez le capot du moteur avec événements (12) sur la ponceuse ainsi que les deux caches d'accès aux balais de charbon (13) qui y sont fixés.
- Retirez les caches en vous aidant d'un tournevis à tête plate puis, retirez les deux balais de charbon.
- Remarquez les deux encoches au niveau des deux extrémités des balais de charbon qui sont parfaitement alignées avec l'emplacement dans les trous des caches d'accès aux balais de charbon et placez-y le balai de charbon neufs, puis, revissez le cache à sa place initiale.

**Remarque :** Vous pouvez procéder au remplacement des balais de charbon un à la fois, mais il est vivement recommandé de procéder au remplacement des deux balais durant la même opération.

- Une fois que les deux balais ont été remplacés, branchez la ponceuse à une prise électrique et mettez-la en marche. Faites tourner votre ponceuse un court instant pour vous assurer que le remplacement a été effectué correctement.
- Si votre ponceuse ne fonctionne pas, recommencez l'opération à partir de l'étape 1. Si après une seconde tentative de remplacer les balais de charbon votre ponceuse ne fonctionne toujours pas, adressez-vous à votre service technique Triton.

## Remplacement de la courroie de transmission

**Remarque :** Une courroie de rechange est fournie avec votre ponceuse. Pour les remplacements ultérieurs, vous pouvez obtenir des pièces de rechange sur [toolsparensonline.com](https://toolsparensonline.com).

- À l'aide d'un tournevis Phillips, retirez la vis maintenant le cache de la courroie de transmission (5) en place.
- Retirez la bande usée en la dégageant de la grande poulie inférieure puis en la soulevant.
- Enlevez toute poussière ou tout débris éventuellement présents.
- Installez la nouvelle courroie sur la poulie d'entraînement supérieure puis poussez-la sur la plus grande poulie. Faites tourner la bande jusqu'à ce qu'elle se place dans la gorge de chaque poulie.
- Remettez le cache en place et serrez la vis de fixation.
- Testez la ponceuse en la faisant tourner à vitesse réduite. Si la courroie a été bien installée, votre ponceuse est alors prête à l'emploi.

## Pour nous contacter

Pour tout conseil technique ou réparation, vous pouvez nous contacter par l'un des moyens ci-dessous :

- **Téléphone :**  
(+44) 1935 382 222

- **Site web :**  
[tritontools.com/en-GB/Support](https://tritontools.com/en-GB/Support)

- **Adresse postale :**  
Powerbox, Boundary Way, Lufton Trading Estate, Yeovil, Somerset,  
BA22 8HZ, United Kingdom (Royaume-Uni)

## Entreposage

- Ranger cet outil et ces accessoires dans sa sacoche, dans un endroit sûr, sec et hors portée des enfants.

## Traitement des déchets

Lorsque l'appareil n'est plus en état de fonctionner et qu'il n'est pas réparable, veillez à recycler l'appareil toujours conformément aux réglementations nationales.

- Ne jetez pas les outils électriques, batteries et autres équipements électriques ou électroniques (DEEE) avec les ordures ménagères.
- Contactez les autorités locales compétentes en matière de gestion des déchets pour vous informer de la procédure à suivre pour recycler les outils électriques

## Si mon appareil ne fonctionne pas

Problème	Cause possible	Solution
Rien ne se passe lorsque l'interrupteur à gâchette (10) est actionné.	Pas d'alimentation	Vérifiez la source d'alimentation
	Commutateur à gâchette défectueux	Faites remplacer le commutateur à gâchette auprès d'un centre d'entretien Triton agréé.
La ponceuse dévie lors de l'utilisation.	Bande abrasive mal centrée	Ajustez la bande grâce au bouton de centrage de la bande (7). Si le problème persiste, réinstallez la bande en suivant les consignes de la section "Pose d'une bande abrasive".
	Bande abrasive lâche	Assurez-vous que le levier de tension de la bande (15) est bien serré. Si le problème persiste réinstallez la bande en suivant les consignes de la section "Pose d'une bande abrasive"
La ponceuse reste en marche même lors que l'interrupteur à gâchette est relâché.	Le bouton de marche continue (9) est activé	Pour arrêter la machine, appuyez sur la gâchette puis relâchez-la de nouveau.

## Garantie

Pour valider votre garantie, rendez-vous sur notre site internet [tritontools.com](http://tritontools.com)\* et saisissez vos coordonnées.

Vos coordonnées seront introduites dans notre liste de diffusion (sauf indication contraire) afin de vous informer de nos prochaines nouveautés. Les informations que vous nous fournirez ne seront pas communiquées à des tiers.

## Pense-bête

Date d'achat : \_\_\_/\_\_\_/\_\_\_

Modèle: T41200BS

Veuillez conserver votre ticket de caisse comme preuve d'achat.

## Déclaration de conformité CE

**Le soussigné :** M. Darrell Morris

**Autorisé par :** Triton Tools

**Déclare que :** La présente déclaration est établie sous la responsabilité exclusive du fabricant. La présente déclaration de conformité est rédigée conformément à la législation d'harmonisation de l'Union Européenne pertinente

**Code d'identification :** T41200BS

**Description :** Ponceuse à bande 1 200 W

**Est conforme aux directives suivantes :**

- Directive sur les machines 2006/42/CE
- Directive sur la compatibilité électromagnétique 2014/30/AE
- Directive RoHS 2011/65/AE
- EN60745-1:2009+A11:2010
- EN60745-2-4:2009+A11:2011
- EN55014-1:2006+A1:2009+A2:2011
- EN55014-2:1997+A1:2001+A2:2008
- EN61000-3-2:2014
- EN61000-3-3:2013

Si toute pièce de ce produit s'avérait défectueuse du fait d'un vice de fabrication ou de matériau dans les 12 MOIS suivant la date d'achat, Triton Precision Power Tools s'engage auprès de l'acheteur de ce produit à réparer ou, à sa discrétion, à remplacer gratuitement la pièce défectueuse.

Cette garantie ne s'applique pas à l'utilisation commerciale et ne s'étend pas non plus à l'usure normale ou aux dommages causés par des accidents, des mauvais traitements ou une utilisation non conforme de votre appareil.

\* Enregistrez votre produit en ligne dans les 30 jours suivant la date d'achat.

Offre soumise à conditions.

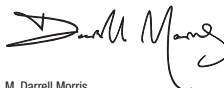
Ceci n'affecte pas vos droits statutaires.

**Organisme notifié :** TÜV Rheinland Co., Ltd

**La documentation technique est conservée par :** Triton Tools

**Date :** 04/07/16

**Signature :**



M. Darrell Morris

Directeur général

**Nom et adresse du fabricant ou de son représentant agréé :**

Powerbox International Limited, entreprise enregistrée sous le numéro 06897059.

Powerbox, Boundary Way, Lufton Trading Estate, Yeovil, Somerset, BA22 8HZ, Royaume Uni.

# Übersetzung des Originaltextes

## Einführung

Vielen Dank, dass Sie sich für dieses Triton-Werkzeug entschieden haben. Diese Anleitung enthält wichtige Informationen für das sichere und effektive Arbeiten mit diesem Produkt. Bitte lesen Sie diese Anleitung sorgfältig durch, um den größtmöglichen Nutzen aus dem einzigartigen Design dieses Produkts ziehen zu können. Bewahren Sie diese Anleitung griffbereit auf und sorgen Sie dafür, dass alle Benutzer dieses Geräts sie gelesen und verstanden haben.

## Symbolerklärung

Auf dem Typenschild des Werkzeugs sind möglicherweise Symbole abgebildet. Sie vermitteln wichtige Informationen über das Produkt oder dienen als Gebrauchsanweisung.



Gehörschutz tragen  
Augenschutz tragen  
Atemschutz tragen  
Kopfschutz tragen



Schutzhandschuhe tragen



Bedienungsanleitung sorgfältig lesen



Nicht im Regen oder in feuchter Umgebung verwenden!



**WARNUNG!** Risiko von Quetsch- und Schnittverletzungen durch bewegliche Teile!



Schutzklasse II (doppelt isoliert)



**Umweltschutz** Elektroaltgeräte dürfen nicht über den Haushaltsmüll entsorgt werden. Nach Möglichkeit bitte über entsprechende Einrichtungen entsorgen. Lassen Sie sich bezüglich der sachgemäßen Entsorgung von Elektrowerkzeugen von der zuständigen Behörde oder dem Händler beraten.



Erfüllt die einschlägigen Rechtsvorschriften und Sicherheitsnormen



Achtung, Gefahr!



Giftige Dämpfe oder Gase!

## Technische Daten

<b>Modellbezeichnung:</b>	T41200BS
<b>Spannung:</b>	220–240 V, 50/60 Hz
<b>Netzkabel</b>	2,6 m
<b>Eingangsleistung:</b>	1200 W
<b>Bandgeschwindigkeit:</b>	2.500 min <sup>-1</sup>
<b>Leerlaufdrehzahl:</b>	200–400 m/min
<b>Schutzklasse:</b>	
<b>IP-Nummer:</b>	IP 20
<b>Schleiffläche:</b>	100 x 156 mm
<b>Schleifbandmaße:</b>	100 x 610 mm
<b>Gerätemaße (L x H x B):</b>	410 x 181 x 181 mm
<b>Gewicht:</b>	6 kg
<b>Geräusch- und Vibrationsinformationen:</b>	
<b>Schalldruckpegel L<sub>pa</sub>:</b>	95,4 dB(A)
<b>Schalleistungspegel L<sub>wa</sub>:</b>	106,4 dB(A)
<b>Unsicherheit K:</b>	3 dB
<b>Hand-Arm-Vibration a<sub>h</sub> (Hauptgriff):</b>	4,92 m/s <sup>2</sup>
<b>Hand-Arm-Vibration a<sub>h</sub> (Zusatzgriff):</b>	6,70 m/s <sup>2</sup>
<b>Unsicherheit K:</b>	1,5 m/s <sup>2</sup>
<b>Der Schallintensitätspegel kann für den Bediener 85 dB(A) übersteigen und Lärmschutzmaßnahmen sind notwendig.</b>	

Aufgrund der fortlaufenden Weiterentwicklung unserer Produkte können sich die technischen Daten von Triton-Produkten ohne vorherige Ankündigung ändern.

**WARNUNG!** Tragen Sie in Bereichen, in denen der Lärmpegel 85 dB(A) überschreitet, unbedingt angemessenen Gehörschutz und begrenzen Sie nach Möglichkeit die Belastungsdauer. Sollte trotz Gehörschutz Unbehagen irgendeiner Art auftreten, beenden Sie die Arbeit unverzüglich und überprüfen Sie den Gehörschutz auf korrekten Sitz und Funktion und stellen Sie sicher, dass dieser einen angemessenen Schutz für den Lärmpegel bietet, der von den verwendeten Werkzeugen ausgeht.

**WARNUNG!** Bei der Benutzung mancher Werkzeuge wird der Benutzer Vibrationen ausgesetzt, welche zum Verlust des Tastsinns, zu Taubheitsgefühl, Kribbeln und zu einer Verminderung der Handgrieffkraft führen können. Langfristige Belastung kann zu chronischen Beschwerden führen. Begrenzen Sie, falls nötig, die Exposition zu Vibrationen und tragen Sie vibrationsmindernde Handschuhe. Verwenden Sie dieses Werkzeug nicht mit kalten Händen, da Vibrationen bei Temperaturen unter dem individuellen Komfortbereich eine stärkere Wirkung zeigen. Beurteilen Sie die Vibrationsbelastung unter Zuhilfenahme der Technischen Daten des jeweiligen Werkzeuges und bestimmen Sie die zulässige Belastungsdauer und -häufigkeit.

Die in den Technischen Daten angegebenen Geräusch- und Vibrationsinformationen werden nach internationalen Standards bestimmt. Die angegebenen Werte beziehen sich auf eine normale Benutzung des Werkzeuges unter normalen Arbeitsbedingungen. Schlecht gewartete, inkorrekt montierte und unsachgemäß verwendete Werkzeuge können erhöhte Schallpegel und Vibrationswerte aufweisen. Weitere Informationen zur EU-Vibrationsrichtlinie und zu Schall- sowie Vibrationsbelastungen, die auch für Heimanwender relevant sein können, finden Sie auf den Seiten der Europäischen Agentur für Sicherheit und Gesundheitsschutz am Arbeitsplatz: [osha.europa.eu](http://osha.europa.eu).

## Verzeichnis der technischen Symbole und Abkürzungen

V	Volt
~	Wechselspannung
A	Ampere
n <sub>0</sub>	Leerlaufdrehzahl
Hz	Hertz
W, kW	Watt, Kilowatt
/min oder min <sup>-1</sup>	(Umdrehungen) pro Minute



# Allgemeine Sicherheitshinweise

**WARNUNG!** Lesen Sie alle Sicherheitshinweise und Anweisungen. Versäumnisse bei der Einhaltung der Sicherheitshinweise und Anweisungen können elektrischen Schlag, Brand und/oder schwere Verletzungen verursachen.

**WARNUNG!** Dieses Gerät darf nicht von Personen (wie z.B. Kindern) mit eingeschränkter körperlicher oder geistigen Fähigkeiten oder von Personen ohne Erfahrung im Umgang mit einem solchen Gerät betrieben werden, außer wenn sie von einer für ihre persönliche Sicherheit verantwortlichen Person in der Benutzung unterwiesen worden sind und dabei beaufsichtigt werden. Kinder müssen beaufsichtigt werden, um sicherzustellen, dass sie das Gerät nicht als Spielzeug verwenden.

Bewahren Sie alle Sicherheitshinweise und Anweisungen für die Zukunft auf.

Der in den Sicherheitshinweisen verwendete Begriff „Elektrowerkzeug“ bezieht sich auf netzbetriebene Elektrowerkzeuge (mit Netzkabel) und auf akkubetriebene Elektrowerkzeuge (ohne Netzkabel).

## 1) Arbeitsplatzsicherheit

- Halten Sie Ihren Arbeitsbereich sauber und gut beleuchtet. Unordnung oder unbeluchtete Arbeitsbereiche können zu Unfällen führen.
- Arbeiten Sie mit dem Elektrowerkzeug nicht in explosionsgefährdeter Umgebung, in der sich brennbare Flüssigkeiten, Gase oder Stäube befinden. Elektrowerkzeuge erzeugen Funken, die den Staub oder die Dämpfe entzünden können.
- Halten Sie Kinder und andere Personen während der Benutzung des Elektrowerkzeugs fern. Bei Ablenkung können Sie die Kontrolle über das Gerät verlieren.

## 2) Elektrische Sicherheit

- Der Anschlussstecker des Elektrowerkzeuges muss in die Steckdose passen. Der Stecker darf in keiner Weise verändert werden. Verwenden Sie keine Adapterstecker gemeinsam mit geschützten Elektrowerkzeugen. Unveränderte Stecker und passende Steckdosen verringern das Risiko eines elektrischen Schlages.
- Vermeiden Sie Körperkontakt mit geerdeten Oberflächen wie von Rohren, Heizungen, Herden und Kühlschränken. Es besteht ein erhöhtes Risiko durch elektrischen Schlag, wenn Ihr Körper geerdet ist.
- Halten Sie Elektrowerkzeuge von Regen oder Nässe fern. Das Eindringen von Wasser in ein Elektrowerkzeug erhöht das Risiko eines elektrischen Schlages.
- Zweckentfremden Sie das Kabel nicht, um das Elektrowerkzeug zu tragen, aufzuhängen oder um den Stecker aus der Steckdose zu ziehen. Halten Sie das Kabel fern von Hitze, Öl, scharfen Kanten oder sich bewegenden Geräterteilen. Beschädigte oder verwickelte Kabel erhöhen das Risiko eines elektrischen Schlages.
- Wenn Sie mit einem Elektrowerkzeug im Freien arbeiten, verwenden Sie nur Verlängerungskabel, die auch für den Außenbereich geeignet sind. Die Anwendung eines für den Außenbereich geeigneten Verlängerungskabels verringert das Risiko eines elektrischen Schlages.
- Wenn der Betrieb des Elektrowerkzeuges in feuchter Umgebung nicht vermeidbar ist, verwenden Sie einen Fehlerstromschutzschalter. Der Einsatz eines Fehlerstromschutzschalters vermindert das Risiko eines elektrischen Schlages.

## 3) Sicherheit von Personen

- Seien Sie aufmerksam, achten Sie darauf, was Sie tun, und gehen Sie mit Vernunft an die Arbeit mit einem Elektrowerkzeug. Benutzen Sie kein Elektrowerkzeug, wenn Sie müde sind oder unter dem Einfluss von Drogen, Alkohol oder Medikamenten stehen. Ein Moment der Unachtsamkeit beim Gebrauch des Elektrowerkzeuges kann zu ernsthaften Verletzungen führen.
  - Tragen Sie persönliche Schutzausrüstung und immer eine Schutzbrille. Das Tragen persönlicher Schutzausrüstung, wie Staubmaske, rutschfeste Sicherheitsschuhe, Schutzhelm oder Gehörschutz, je nach Art und Einsatz des Elektrowerkzeuges, verringert das Risiko von Verletzungen.
  - Vermeiden Sie eine unbeabsichtigte Inbetriebnahme. Vergessen Sie sich, dass das Elektrowerkzeug ausgeschaltet ist, bevor Sie es an die Stromversorgung und/oder den Akku anschließen, es aufnehmen oder tragen. Wenn Sie beim Tragen des Elektrowerkzeuges den Finger am Schalter haben oder das Gerät eingeschaltet an die Stromversorgung anschließen, kann dies zu Unfällen führen.
  - Entfernen Sie Einstellwerkzeuge oder Schraubenschlüssel, bevor Sie das Elektrowerkzeug einschalten. Ein Werkzeug oder Schlüssel, der sich in einem drehenden Geräteteil befindet, kann zu Verletzungen führen.
  - Vermeiden Sie eine unnatürliche Körperhaltung. Sorgen Sie für einen sicheren Stand und halten Sie jederzeit das Gleichgewicht. Auf diese Weise lässt sich das Elektrowerkzeug in unerwarteten Situationen besser kontrollieren.
  - Tragen Sie geeignete Kleidung. Tragen Sie keine weite Kleidung oder Schmuck. Halten Sie Haare, Kleidung und Handschuhe fern von sich bewegenden Teilen. Lockere Kleidung, Schmuck oder lange Haare können von sich bewegenden Teilen erfasst werden.
  - Wenn Staubabsaug- und -auffangeinrichtungen montiert werden können, vergewissern Sie sich, dass diese angeschlossen sind und richtig verwendet werden. Verwendung einer Staubabsaugung kann Gefährdungen durch Staub verringern.
- ## 4) Verwendung und Behandlung des Elektrowerkzeugs
- Überlasten Sie das Gerät nicht. Verwenden Sie für Ihre Arbeit das dafür bestimmte Elektrowerkzeug. Mit dem passenden Elektrowerkzeug arbeiten Sie besser und sicherer im angegebenen Leistungsbereich.
  - Benutzen Sie kein Elektrowerkzeug, dessen Schalter defekt ist. Ein Elektrowerkzeug, das sich nicht mehr ein- oder ausschalten lässt, ist gefährlich und muss repariert werden.
  - Ziehen Sie den Stecker aus der Steckdose und/oder entfernen Sie den Akku, bevor Sie Geräteeinstellungen vornehmen, Zubehörteile wechseln oder das Gerät weglegen. Diese Vorsichtsmaßnahme verhindert den unbeabsichtigten Start des Elektrowerkzeuges.

- Bewahren Sie unbenutzte Elektrowerkzeuge außerhalb der Reichweite von Kindern auf. Lassen Sie Personen das Gerät nicht benutzen, die mit diesem nicht vertraut sind oder diese Anweisungen nicht gelesen haben. Elektrowerkzeuge sind gefährlich, wenn sie von unerfahrenen Personen benutzt werden.
  - Pflegen Sie Elektrowerkzeuge mit Sorgfalt. Kontrollieren Sie, ob bewegliche Teile einwandfrei funktionieren und nicht klemmen, ob Teile gebrochen oder so beschädigt sind, dass die Funktion des Elektrowerkzeuges beeinträchtigt ist. Lassen Sie beschädigte Teile vor dem Einsatz des Gerätes reparieren. Viele Unfälle haben ihre Ursache in schlecht gewarteten Elektrowerkzeugen.
  - Halten Sie Schneidwerkzeuge scharf und sauber. Sorgfältig gepflegte Schneidwerkzeuge mit scharfen Schneidkanten verkleimen sich weniger und sind leichter zu führen.
  - Verwenden Sie Elektrowerkzeug, Zubehör, Einsatzwerkzeuge usw. entsprechend diesen Anweisungen. Berücksichtigen Sie dabei die Arbeitsbedingungen und die auszuführende Tätigkeit. Der Gebrauch von Elektrowerkzeugen für andere als die vorgesehenen Anwendungen kann zu gefährlichen Situationen führen.
- ## 5) Service
- Lassen Sie Ihr Elektrowerkzeug nur von qualifiziertem Fachpersonal und nur mit Original-Ersatzteilen reparieren. Damit wird sichergestellt, dass die Sicherheit des Elektrowerkzeuges erhalten bleibt.

# Zusätzliche Sicherheitshinweise für Schleifgeräte

⚠ Achtung, Gefahr!

- Halten Sie das Elektrowerkzeug nur an den isolierten Handgriffen bzw. Griffflächen, denn das Schleifband/-blatt könnte mit dem Netzblech in Kontakt kommen. Wird eine spannungsführende Leitung beschädigt, können dadurch freiliegende Metallteile des Elektrowerkzeuges unter Spannung gesetzt werden und dem Bediener einen Stromschlag versetzen.
  - Setzen Sie Schraubzwingen o.ä. ein, um das Werkstück an einer stabilen Arbeitsfläche zu fixieren. Wird das Werkstück mit der Hand oder gegen den Körper gehalten, ist es nicht stabil genug und es kann zu einem Verlust der Kontrolle über das Gerät kommen.
  - Falls das Netzblech ersetzt werden muss, darf dies nur durch den Hersteller oder seinen Vertreter erfolgen, um Sicherheitsrisiken zu vermeiden.
  - Es wird dringend empfohlen, dieses Gerät nur unter Verwendung einer Fehlerstromschutzleinrichtung (FI-Schalter) mit einem Bemessungsfehlerstrom von höchstens 30 mA an die Spannungsversorgung anzuschließen.
- Tragen Sie stets geeignete persönliche Schutzausrüstung einschließlich Staubmaske (mindestens Schutzklasse FFP-2), Schutzbrille und Gehörschutz.
  - Sorgen Sie dafür, dass alle in der Nähe des Arbeitsbereichs befindliche Personen ebenfalls geeignete persönliche Schutzausrüstung tragen.
  - Seien Sie besonders vorsichtig beim Schleifen von Hölzern, die Giftstoffe erzeugen (z.B. Buche, Eiche, Mahagoni und Teak), da hierdurch bei einigen Personen starke Reaktionen hervorgerufen werden.
  - Arbeiten Sie niemals Asbest enthaltene Materialien. Falls Sie sich nicht sicher sind, ob ein Objekt Asbest enthält, ziehen Sie einen Fachmann hinzu.
  - Schleifen Sie kein Magnesium oder Legierungen, die einen hohen Magnesiumanteil enthalten.
  - Seien Sie beim Schleifen von Werkstoffen mit bemalten/behandelten Oberflächen vorsichtig. Beim Schleifen von behandelten Oberflächen kann giftiger oder anderweitig schädlicher Staub entstehen. Wenn Sie an einem Gebäude arbeiten, das vor 1960 gebaut wurde, ist die Wahrscheinlichkeit hoch, dass Sie bleihaltige Farbanstriche vorfinden.
  - Der Staub, der beim Schleifen von bleihaltigen Farbanstrichen entsteht, ist besonders für Kinder, Schwangere und Menschen mit hohem Blutdruck gefährlich. Erlauben Sie diesen Personen nicht, sich in der Nähe des Arbeitsbereichs aufzuhalten, auch wenn diese geeignete persönliche Schutzausrüstung tragen.
  - Setzen Sie zur Bekämpfung von Staub und Abfallstoffen nach Möglichkeit immer ein Staubabsaugungssystem ein.
  - Lassen Sie besondere Vorsicht walten, wenn Sie eine Maschine sowohl zum Schleifen von Holz als auch von Metall verwenden. Funken von der Metallbearbeitung können den Holzstaub leicht entzünden. Reinigen Sie das Gerät stets gründlich, um die Brandgefahr zu verringern.
  - Entleeren Sie den Staubfangbeutel/-behälter (falls vorhanden) während des Gebrauchs regelmäßig, d.h. vor dem Einlegen von Pausen und nach Abschluss der Schleifanwendung. Staub stellt eine Explosionsgefahr dar. Schütten Sie Schlierstaub daher nicht ins offene Feuer. Wenn Öl- oder Wassertröpfen auf Staubeinheiten in Berührung gelangen, kann es zu Selbstentzündung kommen. Entsorgen Sie Abfallstoffe sorgfältig und vorschriftsmäßig entsprechend der örtlich geltenden Gesetze und Bestimmungen.

- k) Arbeitsflächen und Schleifblätter können während der Arbeit sehr heiß werden.**  
Wenn Anzeichen von Verbrennung (Rauch oder Asche) auf der Arbeitsfläche zu erkennen sind, stellen Sie die Arbeit ein und lassen Sie das Werkstück abkühlen. Berühren Sie die Arbeitsfläche und das Schleifblatt nicht, bevor beide abkühlen konnten.
- l) Den laufenden Schleifaufsatz nicht berühren.**
- m) Schalten Sie das Gerät stets aus, bevor Sie es ablegen.**
- n) Gerät nicht zum Nassschleifen verwenden.** In das Motorgehäuse eindringende Flüssigkeiten können schwere Stromschläge verursachen.
- o) Trennen Sie das Gerät stets vom Stromnetz, bevor Sie Schleifblatt- oder Zubehörwechsel vornehmen.**
- p) Auch wenn dieses Gerät wie vorgeschrieben verwendet wird, ist es nicht möglich, sämtliche Restrisiken auszuschließen.** Sollten Sie sich in irgendeiner Weise unsicher bezüglich der sachgemäßen und sicheren Benutzung dieses Werkzeugs sein, verwenden Sie es nicht.

## Geräteübersicht

1. Zusatzgriff
2. Hauptgriff
3. Netzkabel
4. Staubsauganschluss
5. Antriebsriemenabdeckung
6. Halterungsaufnahme
7. Bandführungsknopf
8. Schleifband
9. Einschaltarretierung
10. Ein-/Ausschalter
11. Drehzahlregler
12. Motorabdeckung
13. Kohlebürstenskappen
14. Vordere Antriebsrolle
15. Bandspannhebel
16. Antriebsriemen

### Standardzubehör:

17. Unterlage für Werkbankmontage
18. 2 zusätzliche Schleifbänder
19. 2 Stationärhalterungen
20. Staubfangbeutel
21. Ersatzantriebsriemen

## Bestimmungsgemäße Verwendung

Bandschleifer für mittlere bis intensive Anwendungen mit hohem Materialabtrag. Zur Bearbeitung von Hart- und Weichholz sowie ähnlichen Werkstoffen.

## Auspacken des Gerätes

- Packen Sie Ihr Gerät vorsichtig aus und überprüfen Sie es. Machen Sie sich vollständig mit all seinen Eigenschaften und Funktionen vertraut.
- Vergewissern Sie sich, dass sämtliche Teile des Gerätes vorhanden und in ordnungsgemäßem Zustand sind. Sollten Teile fehlen oder beschädigt sein, lassen Sie diese ersetzen, bevor Sie das Gerät verwenden.

## Vor Inbetriebnahme

**⚠️ WARNUNG!** Trennen Sie das Gerät stets vom Stromnetz, bevor Sie Zubehörwechsel oder Einstellungsänderungen vornehmen.

**Hinweis:** Dieser Bandschleifer wird vollständig montiert und betriebsbereit geliefert.

### Anschließen des Staubfangbeutels

- Der Bandschleifer sollte nach Möglichkeit stets an einen Staubsauger oder eine Werkstattdustsauganlage angeschlossen werden.
  - Falls diese Möglichkeit nicht besteht, ist der im Lieferumfang enthaltene Staubfangbeutel (20) wie folgt am Staubsauganschluss (4) zu befestigen:
1. Stecken Sie den Staubfangbeutel auf den Bajonetverschluss auf (siehe Abb. A) und drehen Sie ihn, bis er fest sitzt. Vergewissern Sie sich, dass der Reißverschluss am Staubfangbeutel geschlossen ist.
  2. Lösen Sie den Bajonetverschluss zum Abnehmen des Staubfangbeutels durch Drehen nach außen und ziehen Sie den Beutel dann ab.

**WARNUNG!** Verwenden Sie den Staubfangbeutel nicht beim Schleifen von Metall. Die heißen Metallpartikel könnten dazu führen, dass Holzstaubreoste oder der Beutel selbst Feuer fangen. Schließen Sie zum Schleifen von Metall stets einen Haushaltsstaubsauger oder eine Werkstattdustsauganlage an das Gerät an. Reinigen Sie das Gerät stets äußerst gründlich, bevor Sie vom Holzschleifen zum Metallschleifen und umgekehrt wechseln.

## Wahl der Schleifbandkörnung

- Über Ihren Triton-Fachhändler sind unterschiedliche Schleifbandkörnungen erhältlich. Die gebräuchlichsten Körnungen sind grob (40er-Körnung), mittel (80er- und 100er-Körnung) und fein (120er-Körnung).
- Die grobe Körnung dient zum groben Abschleifen, die mittlere zum Glätten der Oberfläche und die feine für die Endbearbeitung.
- Nehmen Sie stets einen Probelauf auf einem Reststück vor, um die für die jeweilige Aufgabe am besten geeignete Körnung zu bestimmen.
- Verwenden Sie stets qualitativ hochwertige Schleifbänder, um bestmögliche Schlierfergebnisse zu erzielen.

**Hinweis:** Nach der Bearbeitung mit dem Bandschleifer bietet es sich an, einen Schwing schleifer zu verwenden, um eine noch höhere Oberflächengüte zu erzielen. Dadurch wird jedoch die Holzmaserung nahezu unsichtbar. Das anschließende Schleifen mit einem Schwing schleifer empfiehlt sich, wenn die Oberfläche mit einem Anstrich versehen werden soll oder die Sichtbarkeit der Holzmaserung nicht entscheidend ist.

## Einspannen des Schleifbands

**WARNUNG!** Trennen Sie den Schleifer stets vom Stromnetz, bevor Sie Inspektionen, Wartungs- oder Reinigungsarbeiten vornehmen.

1. Drehen Sie den Bandspannhebel (15), um die Spannung vom Schleifband zu nehmen, und ziehen Sie das alte Schleifband ab (siehe Abb. B).
2. Vergewissern Sie sich, dass das neue Schleifband eine feste Naht hat und an den Kanten nicht ausgefranst ist.
3. Bringen Sie das neue Schleifband in Position (siehe Abb. C), wobei der Pfeil auf der Bandinnenseite in dieselbe Richtung wie der Pfeil auf dem Schleifer zeigen muss.
4. Drehen Sie den Bandspannhebel (siehe Abb. D), um das Schleifband zu spannen.
5. Schließen Sie den Schleifer an das Stromnetz an. Halten Sie das Gerät gut fest und betätigen Sie dann den Ein-/Ausschalter (10). Lassen Sie nun das Schleifband kurze Zeit laufen.
6. Richten Sie das Schleifband, während es läuft, mithilfe des Bandführungsknopfes (7) auf die Mitte des Antriebsriemens (16) aus. Wiederholen Sie den Einschalt- und Bändereinstellvorgang so lange, bis das Band ordnungsgemäß ausgerichtet ist. Zur Zentrierung des Schleifbands sind nur wenige Umdrehungen nötig; halten Sie den Knopf einige Sekunden gedrückt, bis sich das Band angepasst hat. Lassen Sie den Schleifer etwa eine Minute laufen, um die Schleifbandausrichtung zu überprüfen, bevor das Gerät mit dem Werkstück in Berührung kommt.

**WARNUNG!** Verwenden Sie keine übermäßig abgenutzten oder beschädigten Schleifbänder.

**WARNUNG!** Verwenden Sie nicht dasselbe Schleifband für Holz und Metall. Metallpartikel lagern sich am Band an und zerkratzen dann Holzoberflächen.

## Bedienung

### Ein- und Ausschalten

1. Halten Sie den Ein-/Ausschalter (10) zum Einschalten des Bandschleifers gedrückt.
2. Geben Sie den Ein-/Ausschalter zum Abschalten des Gerätes wieder frei.
3. Halten Sie den Ein-/Ausschalter gedrückt und betätigen Sie gleichzeitig die Einschaltarretierung (9), um den Schleifer auf Dauerbetrieb zu schalten (siehe Abb. E).
4. Betätigen Sie zum Abschalten der Dauerbetriebsfunktion den Ein-/Ausschalter erneut, damit die Einschaltarretierung ausrastet. Geben Sie dann den Ein-/Ausschalter zum Ausschalten des Bandschleifers frei.

### Geschwindigkeitsregelung

- Die Geschwindigkeit kann dem zu schleifenden Material entsprechend angepasst werden.
- Verstellen Sie den Drehzahlregler (11) so lange, bis die für die jeweilige Aufgabe benötigte Geschwindigkeit erreicht ist (siehe Abb. F).

**Hinweis:** Wenn der Drehzahlregler auf der niedrigsten Einstellung (d.h. Stufe 1) steht, beträgt die Geschwindigkeit 200 m/Min.; auf der höchsten Einstellung (d.h. Stufe 7) liegt die Drehzahl bei 400 m/Min.

### Schleifen

**WARNUNG!** Tragen Sie bei der Arbeit mit diesem Gerät stets Augenschutz, eine geeignete Staubschutzmaske, Gehörschutz und Schutzhandschuhe.

**Warnhinweis:** Fixieren Sie Ihr Werkstück nach Möglichkeit stets mit Schraubzwingen o.ä. an der Werkbank.

**WARNUNG!** Verwenden Sie den Schleifer nicht zum Abschleifen von Magnesium.

**Warnhinweis:** Vergewissern Sie sich stets, dass sich das Schleifband in ordnungsgemäßem Zustand befindet.

1. Schließen Sie das Gerät an das Stromnetz an.
2. Betätigen Sie den Ein-/Ausschalter (10) und warten Sie, bis das Schleifband seine volle Geschwindigkeit erreicht hat, bevor Sie das Gerät auf das Werkstück setzen.
3. Wenn fortlaufender Betrieb gewünscht wird, drücken Sie die Einschaltarretierung (9).
4. Setzen Sie das Gerät auf die Oberfläche auf und üben Sie leichten Druck auf den Schleifer aus.
5. Schleifen Sie in Ferrierrichtung und in sich parallel überschneidenden Bahnen (siehe Abb. G).

- Schleifen Sie zum Abtragen von Farbe oder zur Glättung sehr rauen Holzes in einem 45°-Winkel in zwei Richtungen quer zur Faser und abschließend parallel zur Faser.
- Heben Sie den Schleifer vor dem Ausschalten stets vom Werkstück ab.
- Halten Sie die Hände vom Schleifband fern, da es nach dem Abschalten noch kurzzeitig weiterläuft.

**Hinweis:** Entleeren Sie zur optimalen Staubabsaugung den Staubfangbeutel (20), wenn er höchstens halb gefüllt ist.

**WARNUNG!** Verwenden Sie den Staubfangbeutel nicht beim Schleifen von Metall. Die heißen Metallpartikel könnten dazu führen, dass Holzstaubreoste oder der Beutel selbst Feuer fangen. Ein Haushaltsstaubsauger oder ein Werkstattstaubabsaugungssystem können mithilfe eines Staubsaugadapters an den Schleifer angeschlossen werden. Der Adapter passt in den Staubsaugstutzen (4).

## Verwendung der Stationärhalterungen

- Mit den Stationärhalterungen (19) lässt sich der Triton-Bandschleifer stationär in Umkehrposition verwenden (siehe Abb. H). Der Schleifer darf nur in umgekehrter Position verwendet werden, wenn er sicher an einer geeigneten Vorrichtung mit einer stabilen, flachen Arbeitsfläche eingespannt ist.
- Drehen Sie das Gerät um und stellen Sie es auf eine feste, ebene Arbeitsfläche. Achten Sie darauf, dass die Unterseite flach ist und ausreichend Platz für die unteren Spannarme der Stationärhalterungen besteht.
  - Führen Sie die Stationärhalterungen ganz in die Befestigungspositionen am Schleifer ein. Achten Sie dabei darauf, dass die Gewindeabschnitte der Stationärhalterungen senkrecht und fest an der Kante des Werkstückes anliegen.
  - Ziehen Sie die Flügelmuttern an, so dass der Schleifer fest an der Arbeitsfläche eingespannt ist.
  - Bringen Sie den Staubfangbeutel (20) bzw. ein vergleichbares Staubabsaugsystem an.
  - Schalten Sie den Schleifer ein und betätigen Sie die Einschaltretterung (9), um den Schleifer im Dauerbetrieb laufen zu lassen.
  - Lassen Sie den Schleifer laufen, um Stabilität und korrekte Ausrichtung des Schleifbandes zu prüfen. Schalten Sie bei Bedarf das Gerät aus und wiederholen Sie den Montagevorgang.

**WARNUNG!** Bandschleifer niemals in Umkehrposition verwenden, wenn er nicht fest an der Arbeitsfläche eingespannt ist!

**Hinweis:** Legen Sie die Unterlage für die Werkbankmontage (17) vor dem Einspannen unter den Bandschleifer, um die Arbeitsfläche zu schützen und ein Verrutschen des Bandschleifers zu verhindern.

## Zubehör

- Ein umfassendes Sortiment an Schleifbändern in unterschiedlichen Körnungen sowie weiteres Zubehör ist über Ihren Triton-Fachhändler erhältlich. Ersatzteile können unter [toolsparsonline.com](http://toolsparsonline.com) bezogen werden.

## Instandhaltung

**WARNUNG!** Trennen Sie den Bandschleifer stets vom Stromnetz, bevor Sie Inspektions-, Wartungs- oder Reinigungsarbeiten daran vornehmen.

### Entleeren des Staubfangbeutels (falls vorhanden)

**WARNUNG!** Schalten Sie den Bandschleifer stets aus und trennen Sie ihn vom Stromnetz, bevor Sie den Staubfangbeutel bzw. die Entstaubungsanlage abkoppeln.

- Lösen Sie den Bajonettverschluss zum Abnehmen des Staubfangbeutels durch Drehen nach außen und ziehen Sie den Beutel dann ab (siehe Abb. A).
- Öffnen Sie den Beutel, entleeren Sie ihn und bringen Sie ihn anschließend wieder an (siehe „Anschließen des Staubfangbeutels“).

**Hinweis:** Entsorgen Sie Schleifstaub, der schädliche Substanzen wie z.B. Farbpartikel, Lacke, Oberflächenbeschichtungen u.ä. enthält, stets vorschriftsmäßig.

**WARNUNG!** Entleeren Sie den Staubfangbeutel zur optimalen Staubabsaugung, wenn er höchstens halb gefüllt ist.

**Hinweis:** Reinigen Sie das Gerät stets äußerst gründlich, bevor Sie vom Holzschleifen zum Metallschleifen und umgekehrt wechseln.

### Allgemeine Inspektion

- Überprüfen Sie alle Befestigungsschrauben in regelmäßigen Abständen auf festen Sitz, da sie sich mit der Zeit durch Vibration lockern können.
- Kontrollieren Sie das Netzkabel des Gerätes vor jedem Gebrauch auf Schäden und Verschleiß. Reparaturen müssen durch eine zugelassene Triton-Reparaturwerkstatt erfolgen. Dies gilt auch für mit dem Gerät verwendete Verlängerungskabel.

### Reinigung

- Halten Sie Ihr Gerät stets sauber. Durch Staub und Schmutz verschleifen die inneren Teile schnell und die Lebensdauer des Gerätes wird verkürzt. Säubern Sie das Gerätegehäuse mit einer weichen Bürste oder einem trockenen Tuch. Die Entlüftungsöffnungen gegebenenfalls mit sauberer, trockener Druckluft reinigen, sofern verfügbar.
- Säubern Sie das Gerätegehäuse mit einem feuchten, weichen Lappen und einem milden Reinigungsmittel. Verwenden Sie keinesfalls benzin- oder alkoholhaltige oder andere scharfe Reinigungsmittel.
- Reinigen Sie Kunststoffteile niemals mit Ätzmitteln.

## Schmierung

- Schmieren Sie alle beweglichen Teile in regelmäßigen Abständen leicht mit einem geeigneten Sprühschmiermittel.

## Kohlebürsten

- Mit der Zeit unterliegen die Kohlebürsten des Motors dem Verschleiß.
- Wenn der Verschleiß der Bürsten fortgeschritten ist, kann dadurch die Motorleistung abnehmen, die Maschine kurzzeitig ausfallen oder es kann zu sichtbarer Funkenbildung kommen.
- Bei derartigen Verschleißanzeichen müssen beide Kohlebürsten ersetzt werden.

## Kohlebürsten ersetzen

**⚠️ WARNUNG!** Vergewissern Sie sich, dass der Bandschleifer ausgeschaltet und das Netzkabel von der Spannungsversorgung getrennt ist, bevor Sie die Kohlebürsten ersetzen.

- Machen Sie die Motorabdeckung (12) und die beiden aufgeschraubten Kohlebürstenskappen (13) ausfindig.
- Lösen Sie die Kohlebürstenskappen mit einem Schlitzschraubendreher und entfernen Sie anschließend beide Kohlebürsten.
- Achten Sie auf die Ausparungen an den Kohlebürstenden, die mit den Vorwölbungen in den Bürstenskappenaufnahmen auszurichten sind, und setzen Sie die neuen Kohlebürsten ein. Schrauben Sie anschließend die Kohlebürstenskappen wieder auf.

**Hinweis:** Obwohl es möglich ist, nur eine Kohlebürste zu wechseln, wird empfohlen, die Kohlebürsten immer paarweise zu ersetzen.

- Wenn beide Kohlebürsten ersetzt worden sind, verbinden Sie den Bandschleifer wieder mit dem Stromnetz und schalten Sie ihn ein. Lassen Sie den Schleifer laufen, um zu überprüfen, dass die Kohlebürsten erfolgreich gewechselt wurden.
- Falls das Gerät nicht anläuft, wiederholen Sie den gesamten Vorgang ab Schritt 1. Falls das Gerät auch nach dem zweiten Versuch nicht funktioniert, wenden Sie sich an einen Triton-Kundendienst.

## Antriebsriemen wechseln

**Hinweis:** Ein Ersatzantriebsriemen ist im Lieferumfang dieses Bandschleifers enthalten. Weitere Ersatzteile können über Ihren Triton-Fachhändler oder unter [toolsparsonline.com](http://toolsparsonline.com) bezogen werden.

- Entfernen Sie mit einem Kreuzschlitzschraubendreher die Schraube, mit der die Antriebsriemenabdeckung (5) befestigt ist.
- Entnehmen Sie den verschlissenen Antriebsriemen, indem Sie ihn von der unteren, größeren Laufrolle lösen und dann herunterziehen.
- Befreien Sie die Rollen von Schmutz und Staub.
- Ziehen Sie den neuen Antriebsriemen zuerst über die obere Laufrolle und schieben Sie ihn dann auf die untere Laufrolle. Drehen Sie den Antriebsriemen so lange, bis er in den Nuten der Rollen eingerastet ist.
- Setzen Sie die Antriebsriemenabdeckung wieder auf und ziehen Sie die Befestigungsschrauben an.
- Lassen Sie den Bandschleifer probeweise bei niedriger Drehzahl laufen. Bei ordnungsgemäßer Montage ist der Bandschleifer nun einsatzbereit.

## Kontakt

Informationen zu Reparatur- und Kundendiensten erhalten Sie unter der Rufnummer (+44) 1935/382222.

### Website:

[tritontools.com/en-GB/Support](http://tritontools.com/en-GB/Support)

### Postanschrift:

Powerbox, Boundary Way, Lufton Trading Estate, Yeovil, Somerset, BA22 8HZ, Großbritannien

## Lagerung

- Gerät an einem sicheren, trockenen Ort außerhalb der Reichweite von Kindern lagern.

## Entsorgung

Beachten Sie bei der Entsorgung von defekten und nicht mehr reparablen Elektrowerkzeugen die geltenden Vorschriften und Gesetze.

- Elektrowerkzeuge und andere elektrische und elektronische Altgeräte nicht über den Hausmüll entsorgen.
- Lassen Sie sich von der zuständigen Behörde bezüglich der ordnungsgemäßen Entsorgung von Elektrowerkzeugen beraten.

# Fehlerbehebung

Störung	Mögliche Ursache	Empfohlene Abhilfe
Gerät läuft bei Betätigung des Ein-/Ausschalters (10) nicht an	Kein Strom	Stromanschluss überprüfen
	Ein-/Ausschalter defekt	Ein-/Ausschalter von einem zugelassenen Triton-Kundendienst ersetzen lassen
Schleifer reißt beim Betrieb seitlich aus	Schleifband nicht zentriert	Schleifband über das Bandlaufstellrad (7) mittig ausrichten. Falls das Problem weiterhin besteht, Schleifband gemäß „Einspannen des Schleifbands“ erneut aufziehen
	Schleifband locker	Überprüfen, dass der Bandspannhebel (15) fest geschlossen ist. Falls das Problem weiterhin besteht, Schleifband gemäß „Einspannen des Schleifbands“ erneut aufziehen
Bandschleifer läuft auch ohne Betätigung des Ein-/Ausschalters	Einschaltarretierung (9) aktiviert	Ein-/Ausschalter zum Abschalten des Gerätes kurz drücken und dann freigeben

## Garantie

Zur Anmeldung Ihrer Garantie besuchen Sie bitte unsere Website [tritontools.com](http://tritontools.com)\* und tragen dort Ihre persönlichen Daten ein.

Ihre Angaben werden (wenn nicht anders angewiesen) in unseren elektronischen Verteiler aufgenommen, damit Sie Information über zukünftige Produkteinführungen erhalten. Die von Ihnen bereitgestellten Angaben werden nicht an Dritte weitergegeben.

## Kaufinformation

Kaufdatum: \_\_\_/\_\_\_/\_\_\_

Modell: T41200BS Bewahren Sie bitte Ihren Beleg als Kaufnachweis auf.

## CE-Konformitätserklärung

**Name des Unterzeichners:** Mr. Darrell Morris

**Bevollmächtigt durch:** Triton-Tools

**Erklärt hiermit, dass das Produkt:** Die alleinige Verantwortung für die Ausstellung dieser Erklärung trägt der Hersteller. Der Gegenstand der Erklärung erfüllt die einschlägigen Harmonisierungsrechtsvorschriften der Gemeinschaft.

**Ident.-Nr.:** T41200BS

**Produktbeschreibung:** Bandschleifer, 1200 W

**Den folgenden Richtlinien und Normen entspricht:**

- Maschinenrichtlinie 2006/42/EG
- EMV-Richtlinie 2014/30/EU
- RoHS-Richtlinie 2011/65/EU
- EN60745-1:2009+A11:2010
- EN60745-2-4:2009+A11:2011
- EN55014-1:2006+A1:2009+A2:2011
- EN55014-2:1997+A1:2001+A2:2008
- EN61000-3-2:2014
- EN61000-3-3:2013

Triton garantiert dem Käufer dieses Produkts, dass Triton, wenn sich Teile dieses Produkts innerhalb von 3 Jahren ab Originalkaufdatum infolge fehlerhafter Materialien oder Arbeitsausführung als defekt erweisen, das mangelhafte Teil nach eigenem Ermessen entweder kostenlos reparieren oder ersetzen wird.

Diese Garantie gilt nicht für kommerzielle Verwendung und erstreckt sich nicht auf normalen Verschleiß oder Schäden infolge von Unfall, Missbrauch oder unsachgemäßer Verwendung.

\*Bitte registrieren Sie sich innerhalb von 30 Tagen nach dem Kauf online.

Es gelten die allgemeinen Geschäftsbedingungen.

Ihre gesetzlich festgelegten Rechte werden dadurch nicht eingeschränkt.

**Benannte Stelle:** TÜV Rheinland Co., Ltd

**Techn. Unterlagen bei:** Triton-Tools

**Datum:** 04.07.2016

**Unterzeichnet von:**



Mr. Darrell Morris

Geschäftsführender Direktor

**Name und Anschrift des Herstellers:**

Powerbox International Limited, Handelsregisternummer 06897059.

Eingetragene Anschrift: Powerbox, Boundary Way, Lufton Trading Estate, Yeovil, Somerset, BA22 8HZ, Großbritannien

# Traduzione delle istruzioni originali

## Introduzione

Grazie per aver acquistato questo utensile Triton. Queste istruzioni contengono informazioni utili per il funzionamento sicuro ed affidabile del prodotto. Per essere sicuri di utilizzare al meglio il potenziale dell'utensile si raccomanda pertanto di leggere a fondo questo manuale. Conservare il manuale in modo che sia sempre a portata di mano e accertarsi che l'operatore dell'elettro utensile lo abbia letto e capito a pieno.

## Descrizione dei simboli

La targhetta sul vostro strumento può mostrare simboli. Questi rappresentano importanti informazioni sul prodotto o istruzioni sul suo utilizzo.



Usare la protezione acustica  
Indossare occhiali protettivi  
Indossare protezione respiratoria  
Indossare il casco



Indossare la protezione delle mani



Leggere il manuale di istruzioni



NON utilizzare in caso di pioggia o di ambienti umidi!



**AVVERTENZA:** parti in movimento possono provocare schiacciamento e taglio lesioni.



Classe II di costruzione (doppio isolamento per una protezione aggiuntiva)



**Protezione ambientale** Prodotti elettrici rifiuti non devono essere smaltiti insieme ai rifiuti domestici. Si prega di riciclare dove esistono strutture. Verificare con le autorità locali o il rivenditore per un consiglio riciclaggio.



Conforme alle pertinenti norme della legislazione e sicurezza.



Attenzione!




Fumi tossici o gas!

## Abbreviazioni tecniche

V	Volt
~	Corrente alternata
A	Ampere
$n_0$	Velocità a vuoto
Hz	Hertz
W, kW	Watt, kilowatt
/min or min <sup>-1</sup>	(rivoluzioni o reciprocità) al minuto

## Specificazione

Nr modello:	T41200BS
Tensione:	220 V-240 V, 50/60 Hz
Lunghezza del cavo elettrico:	2,6 m
Alimentazione:	1200 W
Velocità delle ruote:	2500 /min <sup>-1</sup>
Velocità a vuoto:	200-400 m/min
Classe di protezione:	
Numero IP:	IP20
Zona di levigatura:	100 x 156 mm
Misura della cintura:	100 x 610 mm
Dimensioni levigatrice (L x P x A):	410 x 181 x 181 mm
Peso:	6 kg
<b>Informazioni sul suono e sulle vibrazioni:</b>	
Pressione sonora $L_{pA}$ :	95,4 dB(A)
Potenza sonora $L_{WA}$ :	106,4 dB(A)
Tolleranza K:	3 dB
Vibrazione ponderata $a_h$ (impugnatura principale):	4,92 m/s <sup>2</sup>
Vibrazione ponderata $a_h$ (impugnatura anteriore):	6,70 m/s <sup>2</sup>
Tolleranza K:	1,5 m/s <sup>2</sup>
<b>Il livello di intensità del suono per l'operatore può superare i 85 dB (A) e le misure di protezione del suono sono necessari.</b>	

Come parte del nostro continuo sviluppo dei prodotti, le specifiche dei prodotti Triton possono variare senza preavviso.

**ATTENZIONE:** Indossare sempre protezioni per le orecchie, dove il livello sonoro supera i 85 dB (A) e limitare il tempo di esposizione, se necessario. Se i livelli sonori sono scomodi, anche con la protezioni per le orecchie, smettere di usare lo strumento immediatamente e controllare la protezione acustica sia montata correttamente e fornisce il corretto livello di isolamento acustico per il livello del suono prodotto dal vostro strumento.

**ATTENZIONE:** l'esposizione dell'utente alle vibrazioni dello strumento può causare la perdita del senso del tatto, intorpidimento, formicolio e riduzione della capacità di presa. Esposizione a lungo termine può portare ad una condizione cronica. Se necessario, limitare la lunghezza del tempo esposti a vibrazioni e utilizzare guanti anti-vibrazione. Non utilizzare lo strumento con le mani sotto ad una temperatura normale comoda, siccome le vibrazioni avranno un effetto maggiore. Utilizzare i dati forniti nella specifica relativa alle vibrazioni per calcolare la durata e la frequenza di funzionamento dello strumento.

I livelli sonori e vibrazioni nella specifica sono determinate a secondo EN60745 o simili standard internazionali. Le figure rappresentano un normale utilizzo per lo strumento in normali condizioni di lavoro. Uno strumento a mal tenuta, montata in modo errato, o usato in modo improprio, possono produrre un aumento dei livelli di rumore e vibrazioni. [osha.europa.eu](http://osha.europa.eu) fornisce informazioni sui livelli sonori e vibrazioni nei luoghi di lavoro che possono essere utili per gli utenti domestici che utilizzano strumenti per lunghi periodi di tempo.

# Norme generali di sicurezza

**AVVERTENZA:** Leggere ed assimilare tutte le istruzioni. La non osservanza delle seguenti istruzioni può causare scosse elettriche, incendi e/o lesioni gravi.

**ATTENZIONE:** Questo apparecchio non è destinato all'uso da parte di persone (inclusi i bambini) con capacità ridotta, fisiche o mentali o con mancanza di esperienza o di conoscenza, a meno che non siano controllati o istruiti all'uso dell'apparecchio da una persona responsabile della loro sicurezza. I bambini devono essere sorvegliati per assicurarsi che non giochino con l'apparecchio.

Conservare tutte le avvertenze di pericolo e le istruzioni operative per ogni esigenza futura.

Il termine "elettroutensile" si riferisce all'utensile a rete fissa (con filo) o un utensile a batteria (senza filo).

## 1. Area di lavoro.

a. **Mantenere l'area di lavoro pulita e adeguatamente illuminata.** Il disordine e le zone di lavoro possono essere fonte di incidenti.

b. **Non usare gli elettroutensili in presenza di atmosfere esplosive, come liquidi, gas e polveri infiammabili.** Gli elettroutensili producono scintille che potrebbero accendere le polveri o i fumi.

c. **Tenere altre persone e i bambini a distanza di sicurezza durante l'impiego dell'utensile elettrico.** Eventuali distrazioni potrebbero far perdere il controllo dell'utensile all'operatore.

## 2. Sicurezza elettrica

a. **Le spine degli elettroutensili devono essere compatibili con le prese di corrente. Non modificare in alcun modo la spina dell'elettroutensile. Non usare adattatori con gli elettroutensili dotati di collegamento di messa a terra.** L'uso delle spine originali non modificate e delle prese corrispondenti ridurrà il rischio di scosse elettriche.

b. **Evitare il contatto del corpo con le superfici collegate a massa come i tubi, i radiatori, le cucine e i frigoriferi.** Se il corpo dell'operatore è collegato alla terra o alla massa il rischio di scosse elettriche è maggiore.

c. **Non esporre gli elettroutensili alla pioggia e non lasciarli in ambienti umidi o bagnati.** L'ingresso dell'acqua in una macchina utensile aumenta il rischio di scosse elettriche.

d. **Non usare il cavo in modo improprio.** Non affermare mai il cavo per trasportare, tirare o staccare l'elettroutensile dalla presa di corrente. Tenere il cavo lontano da fonti di calore, olio, e sostanze affini, bordi appuntiti o parti in movimento. I cavi danneggiati o attorcigliati aumentano il rischio di scosse elettriche.

e. **Qualora si voglia usare l'utensile all'aperto, usare cavi di prolunga compatibili con l'uso in ambienti esterni.** Un cavo idoneo all'uso in ambienti esterni riduce il rischio di scosse elettriche.

f. **Se l'utilizzo di un elettroutensile in ambiente umido è inevitabile, utilizzare una fonte di alimentazione protetta da un dispositivo differenziale.** L'uso di un dispositivo differenziale riduce notevolmente il rischio di scosse elettriche.

## 3. Sicurezza personale

a. **Quando si usa un elettroutensile lavorare sempre con la massima attenzione e concentrazione, lasciandosi guidare dal buon senso.** Non usare mai un elettroutensile quando si è stanchi o sotto l'effetto di medicinali e/o sostanze alcoliche o stupefacenti. Quando si usa un elettroutensile un attimo di distrazione è sufficiente a causare gravi lesioni alle persone.

b. **Usare dispositivi per la protezione personale.** Indossare sempre protezioni per gli occhi, i dispositivi per la sicurezza personale, come le mascherine antipolvere, le calzature di sicurezza antiscivolo, il casco e la cuffia, se usati in maniera appropriata, riducono i rischi di lesioni alle persone.

c. **Evitare l'avviamento accidentale.** Garantire che l'interruttore è in posizione arresto (OFF) prima di attaccare la presa e/o batteria, prendere in mano o trasportare l'utensile. Trasportare gli elettroutensili con il dito al di sopra dell'interruttore o attaccando l'elettroutensile con l'interruttore acceso, aumenta il rischio di incidenti.

d. **Rimuovere tutte le chiavi di regolazione e le chiavi inglesi prima di accendere l'elettroutensile.** Una chiave inglese o una chiave di regolazione collegata a una parte in movimento dell'elettroutensile potrebbe causare lesioni alle persone.

e. **Non andare oltre l'altezza consentita.** In qualsiasi momento mantenere i piedi poggiati su superfici solide e un punto di appoggio sicuro. Un buon equilibrio consente di avere il massimo controllo sull'elettroutensile nelle situazioni inaspettate.

f. **Vestirsi con abbigliamento adeguato.** Non indossare abiti larghi o gioielli. Tenere i capelli, vestiti e guanti lontano da parti in movimento. Vestiti lenti, gioielli o capelli lunghi possono impigliarsi nelle parti in movimento.

g. **Se il dispositivo utilizzato è dotato di una bocchetta per l'aspirazione della polvere accertarsi che sia collegato e utilizzato correttamente.** L'uso di tali dispositivi riduce i rischi correlati alle polveri.

## 4. Maneggio ed impiego accurato di utensili elettrici

a. **Non forzare l'elettroutensile.** Usare sempre l'elettroutensile corretto per il lavoro da eseguire. L'elettroutensile corretto sarà in grado di svolgere il lavoro in modo più efficiente e sicuro nell'ambito della gamma di potenza indicata.

b. **Non usare l'elettroutensile se l'interruttore di accensione non si accende e si spegne.** Gli elettroutensili con un interruttore di accensione difettoso sono pericolosi e devono essere riparati immediatamente.

c. **Staccare la spina dalla presa di corrente prima di effettuare qualsiasi regolazione, sostituire gli accessori o riporre gli attrezzi a motore.** Queste misure di sicurezza preventive riducono il rischio di avvio involontario.

d. **Conservare l'elettroutensile fuori dalla portata dei bambini e non lasciare che venga utilizzato da persone non adeguatamente addestrate e competenti in uso degli elettroutensili o che non abbiano letto questo manuale di istruzioni.** Gli elettroutensili diventano estremamente pericolosi nelle mani di persone non addestrate.

e. **Mantenere gli elettroutensili.** Controllare per disallineamento o la legatura delle parti in movimento, la rottura di parti e altre condizioni che possono influire il funzionamento dell'apparecchio. In caso di danneggiamento, fare riparare prima dell'uso. Molti incidenti sono causati da una scarsa manutenzione dell'utensile.

f. **Mantenere le lame pulite e affilate.** Gli utensili a taglio tenuti in buone condizioni operative e con i bordi taglienti affilati sono meno soggetti a bloccarsi e più facili da controllare.

g. **Utilizzare l'elettroutensile e tutti i componenti e gli accessori in conformità con le istruzioni di questo manuale e nella maniera prevista per ciascun tipo di utensile, tenendo conto delle condizioni lavorative e del compito da eseguire.** L'utilizzo degli elettroutensili per fini diversi da quelli previsti rappresenta un rischio per le persone.

## 5) Servizio

a) **Fate revisionare il vostro utensile elettrico da un tecnico qualificato utilizzando parti di ricambio identiche.** Questo farà sì che la sicurezza dell'elettroutensile viene mantenuta.

# Sicurezza sulla levigatura



- **Tenere l'utensile dai manici isolati o solo delle superfici di presa, perché il nastro abrasivo / foglio può entrare in contatto con il proprio cavo.** Tagliare un filo "sotto tensione" può rendere le parti metalliche esposte dell'utensile elettrico "live" e potrebbe dare all'operatore una scossa elettrica.
- **Usare morsa o altro un modo pratico per fissare il pezzo ad una piattaforma stabile.** Tenendo il pezzo a mano o contro il corpo lo rende instabile e può portare alla perdita di controllo.
- **Raccomandazione che lo strumento viene sempre alimentato tramite un interruttore differenziale con una corrente differenziale nominale di 30 mA o meno.**
- **Se la sostituzione del cavo di alimentazione è necessario, questo deve essere fatto dal produttore o dal suo agente per evitare un pericolo per la sicurezza.**

a. **Indossare SEMPRE indumenti protettivi, compreso la mascherina antipolvere (di tipo idoneo per i particolati fini), occhiali protettivi e protezioni per l'udito**

b. **Assicurarsi che tutte le persone nelle vicinanze dell'area di lavoro sono inoltre dotate di idonei dispositivi di protezione individuale**

c. **Prestare particolare attenzione durante la levigatura di pezzi in legno (come faggio, quercia, mogano, e tek), in quanto le polveri prodotte dalla levigatura sono tossiche e possono causare gravi reazioni**

d. **MAI utilizzare per elaborare eventuali materiali contenenti di amianto.** Consultare un professionista qualificato, se non siete sicuri se un oggetto contiene amianto

e. **Evitare di levigare pezzi in magnesio o in leghe contenenti alte percentuali di magnesio**

f. **Verificare il tipo di verniciatura/trattamento di finitura applicato sul pezzo da levigare.** La levigatura di pezzi lavorati con svariati tipi di trattamento può dare luogo a sostanze tossiche o comunque dannose. Se si opera su edifici fabbricati prima del 1960, esiste un maggior rischio di incontrare vernici a base di piombo

g. **Le polveri generate dalla levigatura di superfici verniciate con vernici a base di piombo sono particolarmente dannose per bambini, donne in gravidanza e persone con pressione sanguigna elevata.** Tenere tali soggetti lontani dall'area di lavoro, anche quando essi indossano indumenti protettivi di tipo idoneo

h. **Se possibile, utilizzare un estrattore di polveri per controllare le polveri generate durante i lavori di levigatura**

i. **Prestare particolare attenzione durante l'uso di macchine per la levigatura di legno e metallo.** Le scintille generate dal contatto con i pezzi metallici possono innescare incendi delle parti in legno. Tenere la macchina sempre accuratamente pulita, per minimizzare il rischio di incendi

j. **Svuotare il sacchetto o contenitore frequentemente durante l'uso, prima di prendere pause e dopo il completamento della levigatura.** La polvere può essere un rischio di esplosione. **NON** gettare la polvere di segatura nel fuoco. Combustione spontanea può verificarsi quando le particelle di olio o acqua entrano in contatto con le particelle di polvere. Smaltire i rifiuti con cura e nel rispetto delle leggi e dei regolamenti locali.

k. **Le superfici di lavoro e i fogli di carta vetrata diventano molto caldi durante l'utilizzo; qualora si dovessero riscontrare dei segnali che indicano un principio di incendio (come fumo o cenere), provenienti dalla superficie in lavorazione, interrompere il lavoro e lasciar raffreddare il materiale in lavorazione e il foglio di carta vetrata.** Non toccare la superficie di lavoro o la carta vetrata fino a quando non si sono completamente raffreddati

l. **Non toccare la carta vetrata in movimento**

m. **Spegnere sempre prima di mettere giù la levigatrice**

n. **NON utilizzare per la levigatura a umido.** I liquidi che entrano nel vano motore possono causare gravi scosse elettriche



o. Scollegare la levigatrice dalla rete di alimentazione prima di effettuare la sostituzione del foglio di carta vetrata

p. Anche quando questo strumento viene utilizzato come prescritto non è possibile eliminare tutti i fattori di rischio residuo. Se siete in dubbio per un uso sicuro di questo strumento, non ne fate uso

## Familiarizzazione con il prodotto

1. Maniglia anteriore
2. Maniglia posteriore
3. Cavo principale
4. Presa di estrazione polvere
5. Copri cinghia di trasmissione
6. Foro per morsa
7. Maniglia di regolazione binario
8. Cinghia di levigatura
9. Pulsante di blocco
10. Interruttore a grilletto On/Off
11. Ghiera di regolazione velocità
12. Coperchio ventole del motore
13. Copri spazzole
14. Rullo della cinghia anteriore
15. Leva di tensione cinghia
16. Rullo di guida

### Accessori inclusi:

17. Base di montaggio levigatrice
18. 2 x Cinghie di levigatura extra
19. 2 x Morsa di inversione
20. Sacco raccogli polvere
21. Cinghia abrasiva di ricambio

## Destinazione d'uso

Levigatrice a nastro pesante per la rimozione di grandi quantità di materiale. Per l'uso su legno tenero e duro, e materiali simili.

## Disimballaggio dello strumento

- Disimballare con cura e controllare il vostro nuovo strumento. Familiarizzare con tutte le sue caratteristiche e funzioni
- Assicurarsi che tutte le parti dello strumento sono presenti e in buone condizioni. In caso di parti mancanti o danneggiate, sono tali parti sostituite prima di tentare di utilizzare questo strumento

## Prima dell'uso

**ATTENZIONE:** Assicurarsi che lo strumento sia scollegato dalla rete elettrica prima di collegare o cambiare gli accessori, o prima di effettuare qualsiasi regolazione.

**NB:** Questa levigatrice viene fornita completamente montata. Può essere utilizzata immediatamente fuori dalla scatola.

## Collegamento del sistema di estrazione della polvere

- Collegare lo strumento ad un'aspirapolvere o ad un sistema di estrazione della polvere è il metodo preferito per estrarre la polvere
  - Se l'estrazione di polvere non è disponibile, è necessario adattare il sacchetto (20) in dotazione alla presa di estrazione polvere (4):
1. Individuare l'innesto a baionetta, spingere e ruotare fino a bloccarlo. Assicurarsi che il sacchetto della polvere è chiuso
  2. Per rimuovere il sacchetto di polvere, ruotare verso l'esterno per sganciare la baionetta, poi tirare fuori

**ATTENZIONE:** Rimuovere e non utilizzare il sacchetto di polvere durante la levigatura di metallo. Particelle di metallo calde e le scintille possono incendiare la polvere di legno residua, o causare il sacchetto di prendere fuoco. Collegare sempre la levigatrice ad un aspirapolvere o sistema di aspirazione professionale durante la levigatura di metallo. Pulire sempre lo strumento **COMPLETAMENTE** quando si passa dalla levigatura del legno alla levigatura del metallo, e viceversa.

## Sceita della grana giusta per la cinta di levigatura

- Si possono acquistare grana diverse di nastri per levigatura dal vostro rivenditore locale Triton. Le grane più comuni sono: Grossa (grana 40), Media (grana 80 e 100) e Fine (grana 120).
- Utilizzare una grana grossa per lavorare superfici molto irregolari, una grana media per lisciare il pezzo e una grana fine per la finitura.

- Effettuare una prova su un pezzo di materiale di scarto per valutare la grana migliore del nastro per un lavoro specifico.

- Per sfruttare al massimo la levigatrice, acquistare sempre nastri di buona qualità

**NB:** Dopo la levigatura con una levigatrice a nastro, una levigatrice orbitale dovrebbe essere utilizzata per fornire una migliore finitura superficiale. Questo processo, tuttavia comporta alla perdita di legno del grano. Ulteriore levigatura con una levigatrice orbitale è consigliabile se si prevede di dipingere la superficie di legno, o se non è necessario mantenere la visibilità delle venature del legno.

## Montaggio di un foglio di levigatura

**Attenzione:** Scollegare sempre la levigatrice dalla rete elettrica prima di effettuare qualsiasi ispezione, manutenzione o pulizia.

1. Girare la leva di tensione nastro (15) per allentare la tensione del nastro e sfilare il nastro usato (Figura B).
2. Controllare che il nastro in sostituzione sia ben unito e non sia frastagliato ai bordi.
3. Infilare il nastro nuovo in posizione (Figura C), assicurando che la freccia di rotazione all'interno del nastro sia puntando nella stessa direzione della freccia sul fianco della levigatrice.
4. Girare la leva di tensione nastro (Figura D) in senso antiorario per aumentare la tensione al nastro
5. Collegare la levigatrice in una presa di corrente e, mantenendo una presa calda sulla levigatrice, premere il grilletto On/Off (10) e lasciare che la cintura ruota per un breve periodo.
6. Mentre il nastro è in esecuzione, regolare la manopola di regolazione monitoraggio (7) per allineare la cinghia al centro del rullo di trasmissione (16). Ripetere finché il nastro è allineato correttamente (solo una leggera rotazione della manopola è necessaria per tenere traccia del nastro), poi premere il grilletto per alcuni secondi per permettere di regolare la cinghia. Far eseguire la levigatrice per un minuto per garantire che il corretto allineamento si ottiene prima di usare la levigatrice su un pezzo di lavoro

**Attenzione:** Non continuare a utilizzare la levigatrice se il nastro abrasivo è consumato o danneggiato.

**Attenzione:** Non utilizzare la stessa cintura di levigatura per legno e metallo. Particelle metalliche possono incastarsi nella cinghia e setacciare una superficie di legno.

## Funzionamento

### Accensione e spegnimento

1. Tenere premuto l'interruttore On/Off (10) per attivare la levigatrice a nastro
2. Rilascia l'interruttore On/Off per fermare la levigatrice a nastro
3. Per bloccare la levigatrice a nastro, premere l'interruttore On/Off per attivare la levigatrice a nastro e premere il pulsante di blocco (9) (Figura E) per bloccare l'interruttore On/Off
4. Per disattivare, premere l'interruttore On/Off, che fa clic sul pulsante di blocco, e rilasciare l'interruttore On/Off per fermare la levigatrice a nastro

### Regolazione della velocità

- La velocità può essere regolata in base al materiale da levigare.
- Per regolare la velocità, spostare il comando di velocità variabile (11) fino a quando siete soddisfatti che la velocità è quella adatta per il lavoro da effettuare. (Figura F)

**NB:** Quando il regolatore della velocità è impostata sulla impostazione della velocità più bassa "1" la velocità è 200 m/min; quando la ghiera di regolazione della velocità è imposta sulla massima impostazione della velocità "7" la velocità è 400 m/min.

### Levigatura

**ATTENZIONE:** Indossare sempre occhiali di protezione, una adeguata maschera antipolvere, protezione acustica e guanti adatti, quando si lavora con questo strumento.

**NB:** Utilizzare sempre i morsetti per fissare il vostro pezzo in lavorazione al banco da lavoro, dove possibile.

**ATTENZIONE:** Non utilizzare questa levigatrice per la levigatura di magnesio.

**NB:** Verificare sempre che la cintura è in buone condizioni.

1. Collegare lo strumento alla rete di alimentazione
2. Spremere l'interruttore On / Off a grilletto (10) e permettere al nastro di raggiungere la velocità desiderata prima di abbassare il nastro sulla superficie del pezzo
3. Premere il pulsante di blocco (9) se si richiede il funzionamento continuo
4. Abbassare l'unità sulla superficie del pezzo e applicare una leggera pressione
5. Levigare nella direzione delle fibre, in parallelo, tratti sovrapposti (Figura G)
6. Per rimuovere la vernice o levigare legno molto grezzo, levigare tutto il grano a 45° in due direzioni, e poi finire nella direzione delle venature
7. Sollevare la levigatrice via dal pezzo prima di spegnere l'alimentazione
8. Ricordati di tenere le mani lontano dal nastro in movimento, in quanto continua a funzionare per un breve periodo di tempo dopo che la macchina è spenta

**NB:** Per la rimozione della polvere ottimale, svuotare il sacchetto di polvere (20), quando non è più che mezzo pieno.



**ATTENZIONE:** Non utilizzare il sacchetto di polvere durante la levigatura di metallo. Le particelle di metallo calde potrebbero causare polvere di legno residuo o la borsa stessa a prendere fuoco. Un adattatore del pulitore può essere utilizzato per collegare un aspirapolvere domestico o sistema di aspirazione alla levigatrice. L'adattatore si inserisce nella porta di aspirazione (4).

## Utilizzo del set di morsetti di inversione

- Morsetti d'inversione (19) insieme consente di utilizzare la levigatrice a nastri Triton in posizione invertita (Figura H). La levigatrice deve essere utilizzata solo in posizione invertita quando bloccata in modo sicuro ad una struttura idonea, con una superficie di lavoro solida, piatta
1. Capovolgere la macchina e posizionare su una superficie di lavoro solida e piana. Assicurarsi che il lato inferiore è piatto e che ci sia un accesso sufficiente per contenere la lunghezza delle basi per morsetto G
  2. Inserire i morsetti d'inversione completamente nelle posizioni di fissaggio nella levigatrice. Assicurarsi che il tratto filettato verticale di ogni inversione del morsetto è stretto contro il bordo del piano di lavoro
  3. Serrare i dadi a farfalla in modo che la levigatrice è fissata saldamente alla superficie di lavoro
  4. Inserire il sacchetto di raccolta polvere (20) o il sistema di aspirazione della polvere compatibile
  5. Accendere la levigatrice e utilizzare il tasto di blocco (9) per mantenere la levigatrice sempre in funzione
  6. Verificare che il nastro abrasivo viene fissato saldamente alla levigatrice e che sia correttamente allineato mentre lo strumento è in funzione. Se necessario, cambiare la levigatrice OFF e ri-fissare alla levigatrice

**ATTENZIONE:** NON utilizzare la levigatrice invertita meno che non sia bloccata saldamente alla superficie di lavoro.

**NB:** Quando la levigatrice a nastro è bloccata, utilizzare il tappetino da banco di montaggio (17) sotto la levigatrice a nastro per proteggere la superficie di lavoro da eventuali danni e per evitare che la levigatrice a nastro si muovi.

**ATTENZIONE:** NON utilizzare la levigatrice invertita una Meno Che Non Sia bloccata saldamente alla superficie di lavoro

## Accessori

- La piena gamma di diverse cinghie di varie grane e accessori sono disponibili dal vostro rivenditore Triton. Pezzi di ricambio possono essere acquistati sul sito [toolsparesonline.com](http://toolsparesonline.com)

## Manutenzione

**ATTENZIONE:** Scollegare sempre dalla rete elettrica prima di effettuare l'ispezione, manutenzione o pulizia.

### Svuotamento del sacchetto di polvere (se presente)

**ATTENZIONE:** Spegnerne sempre e scollegare dalla rete elettrica prima di scollegare il sacco raccogli polvere (20) o il sistema di estrazione della polvere.

1. Per rimuovere il sacchetto di polvere, ruotare verso l'esterno per sganciare la baionetta, poi tirarla fuori (Figura A)
2. Aprire la busta, svuota e rimontarla (vedere 'Collegamento del sistema di estrazione della polvere')

**NB:** Se la polvere contiene sostanze nocive, come ad esempio le particelle di vecchie pitture, vernici, rivestimenti di superficie, ecc. smaltire sempre secondo le leggi e i regolamenti.

**NB:** Per la rimozione della polvere ottimale, svuotare il sacchetto di polvere, quando non è più che mezzo pieno.

**NB:** Pulire sempre lo strumento **COMPLETAMENTE** quando si passa dalla levigatura del legno alla levigatura di metalli e viceversa.

## Ispezione generale

- Controllare regolarmente che tutte le viti di fissaggio siano serrate. Essi possono vibrare allentandosi nel tempo
- Controllare il cavo di alimentazione dello strumento, prima di ogni utilizzo, per danni o usura. Le riparazioni devono essere eseguite da un centro di assistenza autorizzato Triton. Questo consiglio vale anche per i cavi di prolunga usati con questo strumento; controllare sempre per usura o danni e rivolgersi al produttore del prodotto per le riparazioni, se possibile

## Pulizia

- Mantenere lo strumento pulito in ogni momento. La sporcizia e la polvere possono causare usura alle parti interne e riduce la durata della macchina. Pulire il corpo della macchina con una spazzola morbida o un panno asciutto. Se disponibile, usare aria secca e pulita, compressa e soffiarla attraverso i fori di ventilazione
- Pulire il rivestimento dello strumento con un panno morbido inumidito con un detergente delicato. Non utilizzare alcool, benzina o detersivi forti
- Non utilizzare agenti caustici per pulire le parti in plastica

## Lubrificazione

- Lubrificare leggermente tutte le parti in movimento a intervalli regolari con un lubrificante adatto a spruzzo

## Spazzole

- Nel corso del tempo le spazzole all'interno del motore possono diventare usurate
- Spazzole troppo usurate possono causare la perdita di potere, errore intermittente, o scintille visibile
- Se si sospetta che le spazzole possono essere usurate, entrambe le spazzole avranno bisogno di essere sostituite contemporaneamente

## Sostituzione delle spazzole:

**ATTENZIONE:** Assicurarsi che la levigatrice a nastro è spenta e che il cavo di alimentazione sia scollegato dalla fonte di alimentazione prima di tentare di sostituire le spazzole.

1. Individuare il coperchio del motore ventilato (12) sulla levigatrice a nastro e le i due copri spazzole (13)
  2. Rimuovere le copri spazzole con un cacciavite a punta piatta, poi rimuovere le due spazzole
  3. Nota le tacche alle estremità del pennello, che si allineano con il montaggio nei fori delle spazzole, e posizionare le nuove all'interno poi avvitare il coperchio in posizione
- NB:** Il montaggio delle nuove spazzole possono essere fatte una alla volta, ma si raccomanda che entrambe le spazzole vengono sostituite durante la stessa sessione.
4. Una volta che entrambe le spazzole sono state sostituite, collegare la levigatrice a nastro alla presa di corrente e accendere. Far eseguire la levigatrice a nastro per verificare che la sostituzione ha funzionato
  5. Se non c'è alcun potere, ripetere dal primo passo. Se non vi è ancora alcun potere dopo un secondo tentativo del montaggio spazzole, consultare il tecnico Triton

## Sostituzione della cinghia

**NB:** Una cinghia di trasmissione di ricambio viene fornita con la levigatrice. Ulteriori sostituzioni e altri pezzi di ricambio sono disponibili presso i rivenditori Triton o da [toolsparesonline.com](http://toolsparesonline.com).

1. Usando un cacciavite con testa a croce (Phillips), rimuovere la vite che tiene in posizione il copri cinghia (5).
2. Rimuovere la cinghia usurata togliendo la puleggia più grande in basso, poi sollevare.
3. Pulire via polvere e residui.
4. Applicare la nuova cinghia sulla puleggia superiore e spingerla sulla puleggia più grande, poi ruotare la cinghia fino a quando è posizionata sulle scanalature di entrambe le pulegge.
5. Riapplicare il copri cinghia e serrare bene la vite di chiusura.
6. Far eseguire la levigatrice a nastro a bassa velocità. Se montata correttamente, la levigatrice a nastro è pronta per l'uso

## Contatto

Per consigli tecnici e per eventuali riparazioni, contattare il nostro servizio di assistenza telefonico al numero (+44) 1935 382 222

### Pagina web:

[tritontools.com/en-GB/Support](http://tritontools.com/en-GB/Support)

### Indirizzo:

Powerbox, Boundary Way, Lufton Trading Estate, Yeovil, Somerset, BA22 8HZ, United Kingdom

## Conservazione

- Conservare con cura questo strumento in un luogo sicuro, asciutto, fuori dalla portata dei bambini

## Smaltimento

Rispettare sempre le normative nazionali per lo smaltimento di strumenti di potere che non sono più funzionali e non sono vitali per la riparazione.

- Non gettare elettrodomestici, o altre apparecchiature elettriche ed elettroniche (RAEE), con i rifiuti domestici
- Contattare l'ente locale per lo smaltimento dei rifiuti per informazioni sul modo corretto di disporre di strumenti di potere

## Risoluzione dei problemi

Problema	Possibile causa	Soluzione
Nessuna funzione quando viene azionato l'interruttore On / Off (10)	Assenza di alimentazione	Controllare l'alimentazione
	Interruttore On/Off difettoso	Sostituire l'interruttore On / Off al centro di assistenza autorizzato Triton
Levigatrice tira laterale durante il funzionamento	Nastro abrasivo decentrato	Regolare la ghiera di regolazione binario (7) per allineare la cinghia. Se il problema persiste, rimontare la cinghia come indicato in "Montaggio di un nastro abrasivo"
	Nastro abrasivo con poca tensione	Assicurarsi che la leva tensione della cinghia (15) sia ben chiusa. Se il problema persiste, rimontare la cinghia come indicato in "Montaggio di un nastro abrasivo"
Levigatrice a nastro in esecuzione pur non toccando l'interruttore On/Off	Pulsante di blocco (9) attivato	Per fermare la macchina, premere e rilasciare l'interruttore On/Off

## Garanzia

Per la registrazione della garanzia visitare il sito web [tritontools.com](http://tritontools.com)\* e inserire i propri dettagli.

A meno che il proprietario non abbia specificato diversamente, i suoi dettagli saranno inclusi nella lista di distribuzione che sarà utilizzata per inviare regolarmente informazioni sulle novità Triton. I dati personali raccolti saranno trattati con la massima riservatezza e non saranno rilasciati a terze parti.

## Informazioni sull'acquisto

Data di acquisto: \_\_\_/\_\_\_/\_\_\_

Modello N.: T41200BS Conservare lo scontrino come prova dell'acquisto

Triton Precision Power Tools garantisce all'acquirente di questo prodotto che se

qualsiasi parte si rivelasse difettoso a causa di materiali difettosi o di fabbricazione entro 3 ANNI dalla data di acquisto originale, Triton riparerà o sostituirà a sua discrezione, la parte difettosa gratuitamente.

Questa garanzia non si applica ad uso commerciale né si estende alla normale usura o danni a seguito di incidenti, abuso o uso improprio.

\* Registrati entro 30 giorni.

Si applicano termini e condizioni.

Ciò non pregiudica i diritti legali

## Dichiarazione di conformità CE

Il sottoscritto: Sig. Darrell Morris

come autorizzato da: Triton Tools

**Dichiara che il prodotto:** Questa dichiarazione è stata emessa unicamente sotto alla responsabilità del produttore. L'obiettivo della dichiarazione è in conformità con la Legislazione di Armonizzazione pertinente dell'Unione.

**Codice di identificazione:** T41200BS

**Descrizione:** Levigatrice a nastro, 1200W

**Si conforma alle seguenti direttive:**

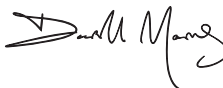
- Direttiva macchine 2006/42/CE
- Direttiva compatibilità elettromagnetica 2014/30/UE
- Direttiva RoHS 2011/65/UE
- EN60745-1:2009+A11:2010
- EN60745-2-4:2009+A11:2011
- EN55014-1:2006+A1:2009+A2:2011
- EN55014-2:1997+A1:2001+A2:2008
- EN61000-3-2:2014
- EN61000-3-3:2013

**Organismo informato:** TÜV Rheinland Co., Ltd

**La documentazione tecnica è mantenuta da:** Triton Tools

**Data:** 04/07/16

**Firma:**



Signor Darrell Morris

Amministratore Delegato

**Nome e indirizzo del fabbricante:**

Powerbox International Limited, N°. Società 06897059. Indirizzo registrato:.

Powerbox, Boundary Way, Lufton Trading Estate, Yeovil, Somerset, BA22 8HZ, Regno Unito.

# Traducción del manual original

## Introducción

Gracias por haber elegido esta herramienta Triton. Estas instrucciones contienen la información necesaria para utilizar este producto de forma segura y eficaz. Lea atentamente este manual para obtener todas las ventajas y características únicas de su nueva herramienta. Conserve este manual a mano y asegúrese de que todas las personas que utilicen esta herramienta lo hayan leído y entendido correctamente.

## Descripción de los símbolos

Los siguientes símbolos pueden aparecer en la placa de características de su herramienta. Estos símbolos representan información importante sobre el producto o instrucciones relativas a su uso.



Leve protección auditiva  
Leve protección ocular  
Leve protección respiratoria  
Leve un casco de seguridad



Leve guantes de seguridad



Lea el manual de instrucciones



No utilizar en ambientes húmedos o bajo la lluvia



**ADVERTENCIA:** Los mecanismos móviles de esta herramienta pueden causar cortes y lesiones personales



Protección clase II (doble aislamiento para mayor protección)



**Protección medioambiental** Los productos eléctricos usados no se deben mezclar con la basura convencional. Están sujetos al principio de recogida selectiva. Solicite información a su ayuntamiento o distribuidor sobre las opciones de reciclaje.



Conforme a las normas de seguridad y la legislación correspondiente.



¡Peligro!



¡Peligro! Gases o humo tóxico

## Características técnicas

<b>Modelo:</b>	T41200BS
<b>Tensión:</b>	220 –240 V, 50/60 Hz
<b>Longitud del cable de alimentación:</b>	2,6 m
<b>Potencia:</b>	1200 W
<b>Velocidad de la banda:</b>	2.500 min <sup>-1</sup>
<b>Velocidad sin carga:</b>	200–400 m/min
<b>Clase de protección:</b>	
<b>Grado de protección:</b>	IP20
<b>Superficie de lijado</b>	100 x 156 mm
<b>Dimensiones de la banda de lija:</b>	100 x 610 mm
<b>Dimensiones de la lijadora (L x An x A):</b>	410 x 181 x 181 mm
<b>Peso:</b>	6 kg
<b>Información sobre ruido y vibración:</b>	
<b>Presión acústica L<sub>pa</sub>:</b>	95,4 dB(A)
<b>Potencia acústica L<sub>wa</sub>:</b>	106,4 dB(A)
<b>Incertidumbre k:</b>	3 dB
<b>Vibración ponderada a<sub>w</sub> (empuñadura principal):</b>	4,92 m/s <sup>2</sup>
<b>Vibración ponderada a<sub>w</sub> (empuñadura auxiliar):</b>	6,70 m/s <sup>2</sup>
<b>Incertidumbre k:</b>	1,5 m/s <sup>2</sup>
<b>El nivel de intensidad sonora para el usuario puede exceder de 85 dB(A). Se recomiendan usar medidas de protección auditiva</b>	

Como parte de nuestra política de desarrollo de productos, los datos técnicos de los productos Triton pueden cambiar sin previo aviso.

**ADVERTENCIA:** Utilice siempre protección auditiva cuando el nivel ruido exceda 85 dB(A) o cuando esté expuesto durante largos periodos de tiempo. Si por algún motivo nota algún tipo de molestia auditiva incluso llevando orejeras de protección, detenga inmediatamente la herramienta y compruebe que las orejeras de protección estén colocadas adecuadamente. Asegúrese de que el nivel de atenuación y protección de las orejeras sea adecuado dependiendo del tipo de herramienta y el trabajo a realizar.

**ADVERTENCIA:** La exposición a la vibración durante la utilización de una herramienta puede provocar pérdida del sentido del tacto, entumecimiento, hormigueo y disminución de la capacidad de sujeción. La exposición durante largos periodos de tiempo puede provocar enfermedad crónica. Si es necesario, limite el tiempo de exposición a la vibración y utilice guantes anti-vibración. No utilice la herramienta cuando sus manos estén muy frías, las vibraciones tendrán un mayor efecto. Utilice los datos técnicos de su herramienta para evaluar la exposición y medición de los niveles de ruido y vibración.

Los niveles de vibración y ruido están determinados por la directiva **EN60745** y otras directivas internacionales similares. Los datos técnicos se refieren al uso normal de la herramienta en condiciones normales. Una herramienta defectuosa, mal montada o desgastada puede incrementar los niveles de ruido y vibración. Para más información sobre ruido y vibración, puede visitar la página web [osha.europa.eu](http://osha.europa.eu)

## Abreviaturas de términos técnicos

<b>V</b>	Volto/s
<b>~</b>	Corriente alterna
<b>A</b>	Amperio/s
<b>n<sub>0</sub></b>	Velocidad sin carga
<b>Hz</b>	Hercio/s
<b>W, kW</b>	Vatio/s, kilovatio/s
<b>/min or min<sup>-1</sup></b>	(Revoluciones/ oscilaciones) por minuto

# Instrucciones de seguridad relativas a las herramientas eléctricas

**ADVERTENCIA:** Lea siempre el manual de instrucciones y las advertencias de seguridad.

*No seguir estas advertencias e instrucciones puede causar descargas eléctricas, incendios y/o lesiones graves.*

**ADVERTENCIA:** No permita que los niños, personas discapacitadas o personas no cualificadas utilicen esta herramienta. Mantenga esta herramienta fuera del alcance de los niños.

Conserve estas instrucciones de seguridad para futura referencia.

La expresión "herramienta eléctrica" se refiere a su herramienta alimentada por corriente eléctrica (herramienta alámbrica) o a una herramienta eléctrica alimentada por baterías (herramienta inalámbrica).

## 1) Seguridad en el área de trabajo

a) Mantenga el área de trabajo limpia y bien iluminada. Las áreas de trabajo desordenadas y oscuras son peligrosas y pueden provocar un accidente.

b) No utilice herramientas eléctricas en atmósferas explosivas que contengan líquidos, gases o polvos inflamables. Las herramientas eléctricas producen chispas que pueden incendiar el polvo o los vapores.

c) Mantenga alejados a los niños y personas que se encuentren a su alrededor mientras esté trabajando con una herramienta eléctrica. Las distracciones pueden hacerle perder el control de la herramienta.

## 2) Seguridad eléctrica

a) El enchufe de la herramienta eléctrica debe coincidir con la toma de corriente. No modifique nunca el enchufe de ninguna manera. No utilice ningún adaptador de enchufe sin toma de tierra. Los enchufes si modificar y el uso de tomas de corrientes adecuadas reducirán el riesgo de descargas eléctricas.

b) Evite el contacto con materiales conductores tales como tuberías, radiadores, estufas y refrigeradores. El riesgo de descarga eléctrica se incrementa si su cuerpo está expuesto a materiales conductores.

c) No exponga las herramientas eléctricas a la lluvia o la humedad. El contacto de agua en una herramienta eléctrica aumentará el riesgo de descargas eléctricas.

d) No doble el cable de alimentación. No use nunca el cable de alimentación para transportar la herramienta eléctrica, tirar de ella o desenchufarla. Mantenga el cable de alimentación alejado de fuentes de calor, aceite, bordes afilados o de las piezas móviles. Los cables de alimentación dañados o enredados aumentan el riesgo de descargas eléctricas.

e) Use un cable de extensión adecuado para exteriores cuando utilice una herramienta eléctrica en áreas exteriores. La utilización de un cable adecuado para exteriores reducirá el riesgo de descargas eléctricas.

f) Si es inevitable trabajar con una herramienta eléctrica en lugares húmedos, use un suministro protegido por un interruptor diferencial o disyuntor por corriente diferencial o residual (RCD). El uso de un RCD reduce el riesgo de descargas eléctricas.

g) Cuando utilice esta herramienta en Australia o Nueva Zelanda, se recomienda conectar esta herramienta en tomas de corriente protegida con dispositivo de protección de corriente diferencial residual de 30 mA o inferior.

## 3) Seguridad personal

a) Manténgase alerta, fíjese en lo que está haciendo y use el sentido común cuando esté utilizando una herramienta eléctrica. No use una herramienta eléctrica si se encuentra cansado o bajo la influencia de drogas, alcohol o medicamentos. Un momento de distracción mientras esté utilizando una herramienta eléctrica puede provocar lesiones corporales graves.

b) Utilice siempre equipo de protección personal. Use siempre protección ocular. El uso de dispositivos de seguridad personal (máscara anti-polvo, calzado de seguridad antideslizante, casco resistente y protecciones auditivas adecuadas) reducirá el riesgo de lesiones corporales.

c) Evite el arranque accidental. Asegúrese de que el interruptor está en la posición de apagado antes de enchufar la herramienta. No transporte herramientas con el dedo en el interruptor o con el interruptor encendido, podría ocurrir un accidente.

d) Retire todas las llaves de ajuste antes de encender la herramienta eléctrica. Una llave enganchada en una parte móvil de la herramienta eléctrica puede causar lesiones graves.

e) No adopte posturas forzadas. Manténgase en posición firme y en equilibrio en todo momento. De este modo, podrá controlar mejor la herramienta eléctrica en situaciones inesperadas.

f) Vístase adecuadamente. No lleve ropa holgada ni joyas. Mantenga el pelo, la ropa y guantes alejados de las piezas móviles. La ropa holgada, las joyas o el pelo largo pueden quedar atrapados en las piezas móviles.

g) Cuando utilice esta herramienta en Australia o Nueva Zelanda, se recomienda conectar esta herramienta en tomas de corriente protegida con dispositivo de protección de corriente diferencial residual de 30 mA o inferior.

## 4) Uso y mantenimiento de las herramientas eléctricas

a) No fuerce la herramienta eléctrica. Utilice la herramienta eléctrica de forma adecuada. Utilice su herramienta únicamente para la tarea que haya sido destinada.

b) No use la herramienta eléctrica si el interruptor no la enciende o la apaga. Toda herramienta eléctrica que no se pueda controlar mediante el interruptor es peligrosa y debe ser reparada inmediatamente.

c) Desenchufe la herramienta o retire la batería antes de realizar cualquier ajuste, cambiar accesorios o almacenar la herramienta. Estas medidas de seguridad preventivas evitarán el arranque accidental de su herramienta eléctrica.

d) Guarde siempre las herramientas eléctricas fuera del alcance de los niños. No permita que las personas que no estén familiarizadas con estas instrucciones utilicen la herramienta. Las herramientas eléctricas son peligrosas en manos de personas que no estén capacitadas para su uso.

e) Revise regularmente sus herramientas eléctricas. Compruebe que no haya piezas en movimiento mal alineadas o trabadas, piezas rotas o cualquier otro problema que pueda afectar el funcionamiento de la herramienta eléctrica. Si hay alguna pieza dañada, repare la herramienta antes de volver a utilizarla. Muchos accidentes son causados por herramientas eléctricas que carecen de un mantenimiento adecuado.

f) Las herramientas de corte deben estar siempre afiladas y limpias. Las herramientas de corte correctamente afiladas son menos propensas a trabarse y son más fáciles de controlar.

g) Utilice la herramienta eléctrica y los accesorios siguiendo el manual de instrucciones y teniendo en cuenta las condiciones y el trabajo que necesite realizar. El uso de la herramienta eléctrica con un propósito distinto al cual ha sido diseñada, podría ser peligroso.

## 5) Mantenimiento y reparación

a) Repare siempre su herramienta eléctrica en un servicio técnico autorizado. Utilice únicamente piezas de recambio idénticas y homologadas. Esto garantizará un funcionamiento óptimo y seguro de su herramienta eléctrica.

# Instrucciones de seguridad para lijadoras



- **ADVERTENCIA:** Sujete siempre la herramienta por las empuñaduras aisladas, la banda o el disco de lija podría entrar en contacto con el cable de alimentación. Las partes metálicas de esta herramienta que entren en contacto con un cable bajo tensión pueden provocar descargas eléctricas al usuario.
- **ADVERTENCIA:** Sujete siempre la pieza de trabajo con abrazaderas o un tornillo de banco sobre una superficie estable. Sujetar la pieza de trabajo con la mano puede provocar la pérdida de control de la herramienta.
- Se recomienda conectar esta herramienta a un enchufe con dispositivo de protección de corriente diferencial residual (RCD) de 30 mA o inferior.
- Para evitar el riesgo de lesiones, sustituya el cable de alimentación solo en un servicio técnico autorizado.
  - a) Lleve siempre mascarilla antipolvo con grado de protección mínimo FFP2, gafas de seguridad y protecciones para los oídos.
  - b) Es responsabilidad del usuario asegurarse de que otras personas que se encuentren alrededor del área de trabajo vayan equipadas con equipo de protección adecuado.
  - c) Tenga un cuidado especial al lijar maderas (haya, roble, caoba y teca), puesto que el polvo que se produzca es tóxico y puede provocar reacciones extremas en algunas personas.
  - d) NUNCA utilice esta herramienta con materiales que contengan asbestos. En caso de duda, consulte con una persona cualificada.
  - e) No lije magnesio ni aleaciones que contengan un alto porcentaje de magnesio.
  - f) Tenga cuidado con los acabados de pinturas/tratamientos que puedan haber sido aplicados al material que está lijando. Muchos tratamientos pueden causar polvo tóxico o dañino. Si está trabajando en un edificio construido antes de 1960, existe la posibilidad de que las pinturas contengan una base de plomo.
  - g) El polvo que produzca al lijar pinturas con base de plomo es particularmente peligroso para los niños, para las mujeres embarazadas y para las personas con una alta presión sanguínea. No permita que estas personas se acerquen al área de trabajo, incluso si llevan prendas de protección adecuadas.
  - h) Siempre que resulte posible, use un sistema de extracción de polvo por aspiración para controlar el polvo/serrín/residuos.
  - i) Tenga mucha precaución cuando use esta herramienta para lijar madera y metal. Las chispas que genera el lijado de metal pueden provocar la ignición del serrín. Limpie siempre esta herramienta para evitar el riesgo de incendio.
  - j) Vacíe regularmente la bolsa o el recipiente para el polvo, espaciado entre pausas o al acabar la tarea. El polvo puede provocar una explosión. Nunca tire el polvo en un fuego. Las partículas de aceite y agua junto con el polvo pueden generar una explosión. Deshágase siempre del polvo y otros materiales de acuerdo con la normativa de reciclaje vigente.
  - k) Las superficies de trabajo y la misma lijadora pueden calentarse mucho durante su uso. Si evidencia la presencia de quemaduras (humo o cenizas), en la superficie de trabajo, pare y deje que se enfríe el material. No toque la superficie de trabajo ni la lijadora hasta que hayan terminado de enfriarse.
  - l) No toque el disco o la banda de lija en movimiento.
- m) Desenchufe la herramienta antes de depositarla en una superficie.
- n) NO utilice esta herramienta para lijado en húmedo. El contacto del agua con la carcasa del motor puede provocar descargas eléctricas al usuario.
- o) Desenchufe esta herramienta antes de colocar/cambiar cualquier accesorio.
- p) Incluso cuando se esté utilizando según lo prescrito, no es posible eliminar todos los factores de riesgo residuales. Utilice esta herramienta con precaución. Si no está seguro de cómo utilizar esta herramienta de forma correcta, no la utilice.

# Características del producto

1. Empuñadura frontal
2. Empuñadura posterior
3. Cable de alimentación
4. Salida de extracción de polvo
5. Tapa de acceso a la correa de transmisión
6. Orificio para el tornillo de la abrazadera
7. Perilla de ajuste de la banda de lija
8. Banda de lija
9. Botón de bloqueo
10. Interruptor de encendido/apagado
11. Selector de velocidad
12. Ranuras de ventilación
13. Tapa de acceso a las escobillas
14. Rodillo frontal
15. Palanca de tensión de la banda de lija
16. Rodillo posterior

## Accesorios incluidos:

17. Alfombrilla para montaje sobre un banco de trabajo
18. 2 bandas de lija
19. 2 abrazaderas para montaje invertido
20. Bolsa para polvo
21. Correa de transmisión de repuesto

# Aplicaciones

Lijadora de banda indicada para realizar trabajos medianos y pesados en maderas blandas, maderas duras y materiales similares.

# Desembalaje

Desembale e inspeccione la herramienta con cuidado. Familiarícese con todas sus características y funciones.

Asegúrese de que el embalaje contiene todas las partes y que están en buenas condiciones. Si faltan piezas o están dañadas, solicite su sustitución antes de utilizar esta herramienta.

# Antes de usar

**⚠️ ADVERTENCIA:** Desconecte siempre la herramienta de la toma de corriente antes de cambiar o sustituir cualquier accesorio.

**Nota:** Esta lijadora se suministra completamente montada y puede utilizarse una vez la haya acabado de su embalaje.

## Instalación de un sistema de extracción de polvo

- Utilice una aspiradora o un sistema de extracción de polvo con esta lijadora.
  - Si no dispone de aspiradora, conecte la bolsa para polvo (20) en la salida de extracción de polvo (4) de la lijadora.
1. Coloque el conector de bayoneta de la bolsa para polvo (4) empujándolo y girándolo hasta que esté sujeto firmemente en la salida de extracción de polvo. Asegúrese que la cremallera de la bolsa para polvo esté cerrada.
  2. Para retirar la bolsa para polvo, sáquela hacia fuera girando el conector de bayoneta.

**ADVERTENCIA:** Nunca retire la bolsa para polvo cuando esté lijando piezas metálicas. Los restos de partículas metálicas calientes podrían generar un incendio. Para realizar esta tarea, retire el recipiente y conecte la lijadora a un sistema de extracción de polvo. Limpie siempre la herramienta adecuadamente cuando pase de lijar madera a lijar metal y viceversa.

## Seleccionar el papel de lija adecuado

- Puede adquirir bandas de lija de diferentes granos a través de su distribuidor Triton. Los granos más utilizados son: grueso (grano 40), medio (grano 80 y 100) y fino (grano 120).
- Use el grado grueso para acabados gruesos, el grado medio para suavizar la superficie y el grado fino para los acabados.
- Se recomienda hacer una prueba en un trozo de material desechable para determinar el grado óptimo del papel de lija que utilizar.
- Utilice siempre papel de lija de alta calidad para lograr un acabado perfecto.

**Nota:** Después de utilizarla lijadora de banda, use una lijadora orbital para obtener un mejor acabado de la superficie. Se recomienda utilizar una lijadora orbital cuando desee pintar la pieza de trabajo o cuando el grano de la madera no sea visible.

# Montaje de la banda de lija

**ADVERTENCIA:** Asegúrese de desconectar la lijadora de la toma de corriente antes de instalar una banda de lija.

1. Levante la palanca de tensión de la banda de lija (15) y retire la banda (Imagen B).
2. Compruebe que la nueva banda de lija esté en buenas condiciones.
3. Deslice la banda nueva a través de los rodillos y asegúrese de que la dirección de la banda esté colocada en la misma dirección que la flecha marcada en la lijadora (Imagen C).
4. Baje la palanca de tensión de la banda de lija (Imagen D) para tensar la banda de lija.
5. Enchufe la lijadora a la toma de corriente, sujete la lijadora firmemente, pulse el interruptor de encendido/apagado (10) y deje que la banda gire durante un breve período de tiempo.
6. Mientras la banda de lija está girando, perilla de ajuste de la banda de lija (7) para alinear la correa con el centro del rodillo de accionamiento (16). Repita el proceso hasta que la banda de lija quede correctamente alineada. Gire ligeramente la perilla y sostenga el gatillo durante unos segundos para ajustar correctamente la banda de lija. Haga funcionar la lijadora durante un minuto más o menos y asegúrese de que esté correctamente alineada antes de utilizar la lijadora.

**ADVERTENCIA:** No utilice la lijadora con una banda de lija que esté demasiado gastada o dañada.

**ADVERTENCIA:** No utilice la misma banda de lija para madera y metal. Las partículas metálicas se incrustarán en la banda de lija y dañará la pieza de trabajo de madera.

# Funcionamiento

## Encendido y apagado

1. Apriete el interruptor de encendido/apagado (10) para hacer encender la lijadora.
2. Suelte el interruptor de encendido/apagado para detener la lijadora.
3. Apriete el interruptor de encendido/apagado y presione el botón de bloqueo (9) para activar el modo de funcionamiento continuo (Imagen E).
4. Apriete y suelte el interruptor de encendido/apagado para desactivar el modo de funcionamiento continuo y detener la lijadora.

## Ajuste de velocidad

- La velocidad se puede ajustar para adaptarse al material de la pieza de trabajo.
- Para ajustar la velocidad, mueva la perilla de control de velocidad (11) hasta alcanzar la velocidad requerida (Imagen F).

**Nota:** El ajuste de velocidad más bajo "1" equivale a una velocidad de 200 m/min-1. El ajuste de velocidad más alto "7" equivale a una velocidad de 400 m/min-1.

## Lijado

**ADVERTENCIA:** Lleve siempre protección adecuada cuando utilice esta herramienta, incluido protección ocular, protección auditiva y guantes de protección.

**Nota:** Siempre que sea posible, utilice siempre abrazaderas o un tornillo de banco para sujetar la pieza de trabajo.

**ADVERTENCIA:** Nunca utilice esta herramienta para lijar magnesio.

**Nota:** Asegúrese siempre de que la banda de lija esté en buenas condiciones.

1. Enchufe la herramienta a la toma de corriente.
2. Apriete el interruptor de encendido/apagado (10) y deje que la banda de lija alcance la velocidad requerida antes de comenzar a lijar.
3. Apriete el botón de bloqueo (9) para activar el modo de funcionamiento continuo.
4. Apoye la lijadora sobre la pieza de trabajo presionando ligeramente.
5. Lije la pieza de trabajo con movimientos superpuestos siempre paralelamente al grano de la madera (Imagen G).
6. Para eliminar la pintura o suavizar madera muy rugosa, lije transversalmente con el grano en ángulo de 45° en ambas direcciones, a continuación realice el acabado paralelo al grano.
7. Levante la lijadora de la pieza de trabajo antes de apagarla.
8. Recuerde mantener las manos alejadas de la banda, dado que ésta continuará moviéndose durante un breve período de tiempo después de soltar el interruptor de encendido/apagado.

**Nota:** Para mayor eficacia, vacíe la bolsa para el polvo (20) cuando esté medio llena.

**ADVERTENCIA:** No use la bolsa para polvo cuando lije metal. Las partículas de metal calientes pueden provocar un incendio al entrar en contacto con el aserrín o la bolsa para polvo. Utilice un adaptador para conectar una aspiradora doméstica o un sistema de extracción de polvo en la lijadora. El adaptador debe colocarse en la salida de extracción de polvo (4).

## Uso de las abrazaderas de montaje invertido

- El juego de abrazaderas para montaje invertido (19) permite utilizar la lijadora de en posición invertida (imagen H) sobre un banco de trabajo. La lijadora sólo debe utilizarse en posición invertida cuando está sujeta de forma segura sobre una superficie de trabajo rígida y segura.
- Invierta la lijadora y colóquela sobre una superficie plana y segura. Asegúrese de que la parte inferior sea plana y que haya suficiente espacio para colocar las abrazaderas de montaje invertido.
  - Cloque las abrazaderas de montaje invertido en la lijadora. Asegúrese de que la sección vertical roscada de cada abrazadera está apretada contra el borde de la pieza de trabajo.
  - Apriete las tuercas de mariposa para sujetar la lijadora firmemente sobre la superficie de trabajo.
  - Coloque el sistema de extracción de polvo o una bolsa para polvo (20).
  - Encienda la lijadora y utilice el botón de bloqueo (9) para mantener la lijadora en funcionamiento continuo.
  - Mientras la herramienta esté funcionando, compruebe que la banda está completamente fija y alienada. Si es necesario, apague la lijadora y vuelva a colocar la banda de lija de nuevo.

**ADVERTENCIA:** NO utilice la lijadora invertida si no está sujeta firmemente sobre la pieza de trabajo.

## Accesorios

- Existen gran variedad de accesorios, bandas de lija, bloques de lija y mascarillas respiratorias disponibles a través de su distribuidor Triton más cercano o en [www.toolsaresonline.com](http://www.toolsaresonline.com).

## Mantenimiento

**ADVERTENCIA:** Desconecte siempre la herramienta de la toma eléctrica antes de realizar cualquier tarea de mantenimiento o limpieza.

### Vaciar la bolsa para polvo

**ADVERTENCIA:** Asegúrese de desconectar la lijadora de la toma de corriente antes de vaciar la bolsa para polvo.

- Para retirar la bolsa de polvo, gírela y tire hacia fuera para desenganchar el conector de bayoneta (imagen A).
- Abra la bolsa para polvo, vacíela y límpiela. Vuelva a colocar la bolsa en la salida para la extracción de polvo (véase "Instalación de un sistema de extracción de polvo").

**Nota:** Tenga precaución cuando lije materiales que contengan substancias nocivas tales como pintura, barnices, revestimientos, etc. Recicle siempre estas substancias en puntos de reciclaje adecuados, según la normativa vigente.

**ADVERTENCIA:** Para mayor eficacia, vacíe la bolsa para el polvo cuando esté medio llena.

**Nota:** Limpie siempre la herramienta adecuadamente cuando pase de lijar madera a lijar metal y viceversa.

### Inspección general

- Compruebe regularmente que todos los tornillos y elementos de fijación estén bien apretados. Con el paso del tiempo pueden vibrar y aflojarse.
- Inspeccione el cable de alimentación antes de utilizar esta herramienta y asegúrese de que no esté dañado. Las reparaciones deben realizarse por un servicio técnico autorizado Triton.

### Limpieza

- Mantenga la herramienta siempre limpia. La suciedad y el polvo pueden dañar y reducir la vida útil su herramienta. Utilice un cepillo suave o un paño seco para limpiar la herramienta. Si dispone de un compresor de aire comprimido, sople con aire seco y limpio para limpiar los orificios de ventilación.
- Limpie la carcasa de la herramienta con un paño húmedo y detergente suave. Nunca utilice alcohol, combustible o productos de limpieza.
- Nunca utilice agentes cáusticos para limpiar las piezas de plástico.

### Lubricación

- Aplique regularmente spray lubricante en las piezas móviles.

## Sustitución de las escobillas

- Con el tiempo, las escobillas de carbono del motor se desgastarán.
- Si las escobillas se han desgastado excesivamente, el rendimiento del motor puede disminuir; la herramienta tal vez no arranque o quizás observe una excesiva presencia de chispas.
- Si sospecha que las escobillas pueden estar desgastadas, lleve la herramienta a un servicio técnico autorizado Triton.

## Proceso para sustituir las escobillas:

**ADVERTENCIA:** Desconecte siempre la herramienta de la toma eléctrica antes de sustituir las escobillas del motor.

- Esta lijadora dispone de una tapa con ranuras de ventilación (12) y dos tapas de acceso a las escobillas (13).
  - Abra las tapas de acceso a las escobillas utilizando un destornillador plano y retire las escobillas desgastadas.
  - Las muescas de los extremos de las escobillas deben estar alineadas correctamente en los orificios para las escobillas. Vuelva a colocar la tapa para las escobillas.
- Nota:** Se recomienda cambiar las ambas escobillas al mismo tiempo.
- Enchufe la lijadora en la toma de corriente y enciéndala. Compruebe que el motor funcione correctamente.
  - Vuelva a realizar el paso 1 si la lijadora no se enciende. Si el problema persiste, lleve la lijadora a un servicio técnico autorizado Triton.

## Sustitución de la correa de transmisión

**Nota:** Esta herramienta se suministra con una correa de transmisión de repuesto. Existen correas de transmisión disponibles en su distribuidor Triton o a través de [toolsaresonline.com](http://toolsaresonline.com)

- Utilice un destornillador Phillips para quitar el tornillo de la tapa de la correa de transmisión (5).
- Deslice la correa desgastada a través de la polea más grande y retírela.
- Limpie el polvo y los restos de suciedad.
- Coloque la correa nueva sobre la polea de accionamiento superior y deslicela sobre la polea más grande, haga girar la correa hasta que los dientes de la correa estén correctamente engranados en la polea.
- Coloque nuevamente la tapa de la correa de accionamiento y apriete los tornillos.
- Encienda la lijadora y ajústela a una velocidad lenta para comprobar su funcionamiento.

## Contacto

Servicio técnico de reparación Triton – Tel: (+44) 1935 382 222

### Web:

[www.tritontools.com/es-ES/Support](http://www.tritontools.com/es-ES/Support)

### Dirección:

Powerbox, Boundary Way, Lufton Trading Estate, Yeovil, Somerset, BA22 8HZ, Reino Unido

## Almacenaje

- Guarde esta herramienta y accesorios en un lugar seco y seguro fuera del alcance de los niños.

## Reciclaje

Deshágase de las herramientas eléctricas adecuadamente respetando las normas de reciclaje indicadas en su país.

- No deseche las herramientas y aparatos eléctricos junto con la basura convencional. Recíclelos siempre en puntos de reciclaje.
- Póngase en contacto con la autoridad local encargada de la gestión de residuos para obtener más información sobre cómo reciclar este tipo de herramientas correctamente.

## Solución de problemas

Problema	Causa	Solución
La herramienta no se enciende al accionar interruptor de encendido/apagado (10)	Falta de alimentación eléctrica	Compruebe el suministro eléctrico
	Interruptor de encendido/apagado averiado	Sustituya el interruptor de encendido/apagado en un servicio técnico Triton autorizado
La lijadora se desplaza hacia un lado durante el funcionamiento	Banda de lija mal centrada	Utilice la perilla de ajuste de la banda (7) para centrarla correctamente. Si el problema persiste, véase "Montaje de una banda de lija"
	Banda de lija suelta	Compruebe que la palanca de liberación de la banda (15) esté cerrada. Si el problema persiste, véase "Montaje de una banda de lija"
La lijadora no se detiene al soltar el interruptor de encendido/apagado	Botón de bloqueo (9) activado	Para detener la herramienta, apriete y vuelva a soltar el gatillo



## Garantía

Para registrar su garantía, visite nuestra página Web en tritontools.com\* e introduzca sus datos personales.

Estos datos serán incluidos en nuestra lista de direcciones (salvo indicación contraria) de manera que pueda recibir información sobre nuestras novedades. Sus datos no serán cedidos a terceros.

## Recordatorio de compra

Fecha de compra: \_\_\_/\_\_\_/\_\_\_

Modelo: T41200BS Conserve su recibo como prueba de compra.

Las herramientas Triton disponen de un periodo de garantía de 3 años. Para obtener esta garantía, deberá registrar el producto online en un plazo de 30 días contados a partir de la fecha de compra. Si durante ese período apareciera algún defecto en el producto debido a la fabricación o materiales defectuosos, Triton se hará cargo de la reparación o sustitución del producto adquirido. Esta garantía no se aplica al uso comercial por desgaste de uso normal, daños accidentales o por mal uso de esta herramienta.

\* Registre el producto online en un plazo de 30 días contados a partir de la fecha de compra.

Se aplican los términos y condiciones.

Esto no afecta a sus derechos legales como consumidor.

## Declaración de conformidad CE

El abajo firmante: Mr Darrell Morris

Autorizado por: Triton Tools

**Declara que el producto:** La presente declaración de conformidad se expide bajo la exclusiva responsabilidad del Fabricante. El objeto de la declaración descrita anteriormente es conforme a la legislación comunitaria de armonización pertinente.

**Código de identificación:** T41200BS

**Descripción:** Lijadora de banda 1200 W

**Está en conformidad con las directivas:**

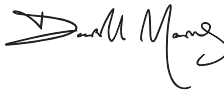
- Directiva de máquinas 2006/42/CE
- Compatibilidad electromagnética 2014/30/UE
- Directiva RoHS 2011/65/UE
- EN60745-1:2009+A11:2010
- EN60745-2-4:2009+A11:2011
- EN55014-1:2006+A1:2009+A2:2011
- EN55014-2:1997+A1:2001+A2:2008
- EN61000-3-2:2014
- EN61000-3-3:2013

**Organismo notificado:** TÜV Rheinland Co., Ltd

**La documentación técnica se conserva en:** Triton Tools

**Fecha:** 04/07/16

**Firma:**



Mr Darrell Morris

Director General

**Nombre y dirección del fabricante:**

Powerbox International Limited, N° de registro: 06897059. Dirección legal: Powerbox, Boundary Way, Lufton Trading Estate, Yeovil, Somerset, BA22 8HZ, Reino Unido.

# Tradução das instruções originais

## Introdução

Obrigado por comprar esta ferramenta Triton. Este manual contém as informações necessárias para a operação segura e eficiente deste produto. Este produto apresenta recursos exclusivos, e mesmo que você esteja familiarizado com produtos similares, é necessário ler o manual cuidadosamente para garantir que as instruções sejam totalmente entendidas. Assegure-se de que todos os usuários desta ferramenta leiam e compreendam totalmente o manual.

## Descrição dos símbolos

A placa de identificação de sua ferramenta poderá apresentar alguns símbolos. Estes indicam informações importantes sobre o produto, ou instruções sobre seu uso.



Use proteção auricular  
Use proteção ocular  
Use proteção respiratória  
Use proteção de cabeça



Use proteção nas mãos



Leia o manual de instruções



NÃO use sob chuva ou em ambientes úmidos!



**AVISO:** A movimentação das peças tem o risco de causar ferimentos por corte ou esmagamento.



Construção de classe II (isolamento duplo para proteção adicional)



**Proteção ambiental** O descarte de produtos elétricos não deve ser feito no lixo doméstico. Faça a reciclagem em locais próprios para isso. Consulte as autoridades locais ou seu revendedor para saber como reciclar.



Cumpra a legislação e os padrões de segurança aplicáveis.



Cuidado!



Fumaça ou gases tóxicos!

## Especificação

<b>Modelo no:</b>	T41200BS
<b>Voltagem:</b>	220 a 240V, 50/60Hz
<b>Comprimento do cabo elétrico:</b>	2,6m
<b>Consumo de potência:</b>	1200W
<b>Velocidade do disco:</b>	2500 /min
<b>Velocidade da cinta sem carga:</b>	200 a 400 m/min
<b>Classe de proteção:</b>	
<b>Número IP</b>	IP20
<b>Área de lixamento</b>	100 x 156 mm
<b>Tam. da cinta-lixá</b>	100 x 610 mm
<b>Dimensões da lixadeira (C x L x A)</b>	410 x 181 x 181mm
<b>Peso:</b>	6kg
<b>Informações sobre ruído e vibração</b>	
<b>Pressão sonora <math>L_{pA}</math>:</b>	95,4 dB(A)
<b>Pressão sonora <math>L_{WA}</math>:</b>	106,4 dB(A)
<b>Incerteza K:</b>	3 dB
<b>Vibração ponderada <math>a_v</math> (empunhadura principal):</b>	4,92m/s <sup>2</sup>
<b>Vibração ponderada <math>a_v</math> (empunhadura dianteira):</b>	6,70m/s <sup>2</sup>
<b>Incerteza K</b>	1,5m/s <sup>2</sup>
<b>O nível de intensidade sonora para o operador poderá ultrapassar 85dB(A) e, por isso, são necessárias medidas de proteção.</b>	

Como parte do desenvolvimento de nossos produtos, as especificações da Triton podem ser alteradas sem aviso.

**AVISO:** Use sempre proteção auditiva apropriada, quando o ruído da ferramenta ultrapassar 85dB(A), e limite o tempo de exposição ao mínimo necessário. Caso os níveis de ruído se tornem desconfortáveis, mesmo com proteção auditiva, pare imediatamente de usar a ferramenta e verifique se a proteção auditiva está ajustada de forma correta, de modo a provar a atenuação sonora correta, para o nível de ruído produzido pela ferramenta.

**AVISO:** A exposição do usuário à vibração da ferramenta pode resultar em perda de sentido do tato, dormência, formigamento e diminuição da capacidade de agarrar. A exposição por longo prazo pode levar a uma condição crônica. Caso necessário, limite o período de tempo que fica exposto à vibração e use luvas antivibração. Não use a ferramenta com as mãos expostas a uma temperatura abaixo da temperatura normal confortável, uma vez que a vibração tem mais impacto nessa condição. Use os valores fornecidos na especificação relativa a vibrações, para calcular a duração e frequência de uso da ferramenta.

Os níveis sonoros e de vibração da especificação são determinados de acordo com a norma EN60745, ou por padrão internacional similar. Os valores consideram o uso normal da ferramenta, sob condições de trabalho normais. Uma ferramenta montada, mantida ou usada incorretamente, poderá produzir níveis de ruído, e de vibração, superiores.

O site: [osha.europa.eu](http://osha.europa.eu) fornece mais informações sobre níveis de vibração e ruído em locais de trabalho, e pode ser útil para usuários domésticos que usam ferramentas por longos períodos de tempo.

## Abreviações Técnicas

V	Volts
~	Corrente alternada
A	Ampère
$n_0$	Velocidade sem carga
Hz	Hertz
W, kW	Watt, Quilowatt
/min ou min <sup>-1</sup>	(rotações ou ciclos) por minuto

# Segurança geral

**AVISO** Leia todos os avisos de segurança e todas as instruções. O descumprimento dos avisos e instruções pode resultar em choque elétrico, incêndio e/ou ferimentos graves.

**AVISO:** Este equipamento não foi projetado para ser usado por pessoas (inclusive crianças) com capacidade física ou mental reduzida, ou sem experiência ou conhecimento, exceto se estiverem sob supervisão ou houverem recebido instruções relativas ao uso do equipamento pela pessoa responsável por sua segurança. As crianças devem ser supervisionadas para garantir que não brinquem com o equipamento.

Guarde todos os avisos e instruções para consulta futura.

O termo "ferramenta elétrica", nos avisos, se refere a uma ferramenta elétrica que usa alimentação da rede (com cabo elétrico) ou uma bateria (sem cabo elétrico).

## 1) Segurança na área de trabalho

a) Mantenha a área de trabalho limpa e bem iluminada. Áreas desorganizadas ou escuras facilitam os acidentes.

b) Não opere ferramentas elétricas em atmosferas explosivas, como na presença de líquidos, gases ou serragens inflamáveis. Ferramentas elétricas produzem faíscas que podem inflamar a serragem ou os gases.

c) Mantenha as crianças e observadores à distância, quando operar ferramentas elétricas. Distrações podem fazer você perder o controle.

## 2) Segurança elétrica

a) O plugue de tomada da ferramenta deve ser compatível com a tomada de parede.

Nunca modifique um conector, de maneira alguma. Nunca use conectores adaptadores em ferramentas elétricas com fio terra (aterradas). Conectores sem modificações e tomadas corretas reduzem o risco de choques elétricos.

b) Evite o contato de seu corpo com superfícies aterradas, como tubos, radiadores, extensões e refrigeradores. Existe um risco maior de choque elétrico se o seu corpo estiver aterrado.

c) Não deixe as ferramentas elétricas expostas a chuva ou condições úmidas. A água que entra em uma ferramenta elétrica, aumenta o risco de choque elétrico.

d) Não abuse do cabo elétrico. Nunca use o cabo para carregar, puxar ou desconectar a ferramenta elétrica. Mantenha o cabo longe de calor, óleo, bordas afiadas ou peças móveis. Cabos danificados ou emaranhados aumentam o risco de choque elétrico.

e) Quando operar uma ferramenta elétrica ao ar livre, use um cabo de extensão adequado para uso externo. A utilização de um cabo adequado para uso externo reduz o risco de choque elétrico.

f) Se o uso da ferramenta elétrica em local úmido for inevitável, use uma fonte de alimentação protegida com Dispositivo de Corrente Residual (DR). O uso de um DR reduz o risco de choque elétrico.

## 3) Segurança pessoal

a) Mantenha-se alerta, preste atenção no que faz e use de bom senso quando operar uma ferramenta elétrica. Não use ferramentas elétricas quando estiver cansado ou sob influência de drogas, álcool ou medicamentos. Um momento de desatenção, quando se opera uma ferramenta elétrica, pode resultar em ferimentos pessoais graves.

b) Use equipamentos de proteção individual. Use sempre proteção ocular. Equipamentos de proteção como máscara respiratória, calçados de proteção antiderrapantes, capacete ou protetores auditivos, usados de acordo com as condições apropriadas, reduzem a ocorrência de ferimentos.

c) Evite partidas não intencionais. Certifique-se de que o interruptor esteja na posição desligada, antes de conectar a ferramenta à fonte de alimentação e/ou bateria, quando estiver pegando-a, ou quando estiver transportando-a. Transportar ferramentas elétricas com seu dedo no interruptor ou energizar ferramentas elétricas com o interruptor na posição ligada, propicia acidentes.

d) Remova todas as chaves ou ferramentas de trabalho, antes de ligar a ferramenta elétrica. Uma chave deixada em uma peça rotativa da ferramenta elétrica poderá resultar em ferimentos.

e) Não se estique demais. Mantenha sempre o equilíbrio e os pés em local firme. Isto permite um melhor controle da ferramenta em situações inesperadas.

f) Vista-se apropriadamente. Não use joias, nem roupas largas. Mantenha cabelos, roupas e luvas longe dos peças móveis. Roupas largas, joias e cabelos longos podem ficar presos nas peças móveis.

g) Se for utilizar dispositivos para a aspiração e coleta de pó, assegure-se de que estejam conectados e sejam usados corretamente. O uso da coleta de pó pode reduzir os riscos associados ao excesso de pó.

## 4) Uso e cuidados com a ferramenta elétrica

a) Não force a ferramenta elétrica. Use a ferramenta correta para sua aplicação. A ferramenta correta fará o trabalho melhor e com mais segurança, com a produtividade para a qual foi projetada.

b) Não use a ferramenta elétrica se o interruptor liga/desliga não estiver funcionando. Qualquer ferramenta que não puder ser controlada com o interruptor liga/desliga é perigosa e deve ser consertada.

c) Desconecte o conector de tomada da rede elétrica e/ou a bateria da ferramenta, antes de realizar quaisquer ajustes, trocar acessórios ou de guardá-la. Estas medidas de segurança preventivas reduzem o risco de se ligar a ferramenta por acidente.

d) Guarde a ferramenta elétrica fora do alcance de crianças, quando não estiver em uso, e não permita que pessoas não familiarizadas com a ferramenta, e com estas instruções, a operem. Ferramentas elétricas são perigosas nas mãos de pessoas não treinadas.

e) Conserve as ferramentas elétricas. Verifique o alinhamento ou emperramento das peças móveis, se existem peças quebradas ou outra condição que possa afetar a operação da ferramenta. Se a ferramenta estiver danificada, providencie o conserto, antes de usá-la. Muitos acidentes são causados por ferramentas mal conservadas.

f) Mantenha as ferramentas de corte limpas e afiadas. Ferramentas de corte com bordas afiadas, quando mantidas corretamente, são menos propensas a emperramentos e mais fáceis de controlar.

g) Use a ferramenta elétrica, seus acessórios e outros elementos de acordo com estas instruções, considerando as condições de trabalho e o serviço a ser executado. O uso da ferramenta para operações diferentes daquelas para as quais foi projetada pode resultar em uma situação de risco.

## 5) Reparos

a) Entregue sua ferramenta para reparos a pessoal técnico qualificado, que use apenas peças de reposição originais. Isto garantirá que a ferramenta continuará oferecendo segurança.

# Segurança no uso de lixadeiras



- Segure a ferramenta apenas pelas empunhaduras e superfícies aderentes isoladas, uma vez que a lixa poderá tocar no cabo da ferramenta. O corte de um cabo eletrificado pode eletrificar as partes metálicas da ferramenta, provocando um choque elétrico no operador.
- Use uma morsa ou outra forma prática de prender a peça de trabalho a uma bancada firme. Segurar a peça de trabalho com a mão ou outro o corpo é um arranjo instável que pode levar a perda de controle.
- Recomenda-se que a ferramenta seja sempre alimentada por meio de um dispositivo de corrente residual (DR) com especificação nominal de corrente residual de 30 mA, ou menos.
- Caso seja necessário trocar o cabo de alimentação, isto deverá ser feito pelo fabricante ou seu agente autorizado, de modo a evitar riscos.
- a. Use SEMPRE o equipamento de proteção individual apropriado, incluindo uma máscara contra pó com classificação mínima de FFP2, proteção ocular e auditiva.
- b. Assegure-se de que todas as pessoas próximas ao local de trabalho também estão usando equipamento de proteção individual adequado.
- c. Tome muito cuidado quando lixar certos tipos de madeira (como faia, carvalho, mogno e teca), pois o pó produzido é tóxico e pode causar reações extremas.
- d. NUNCA use para processar materiais que contenham amianto. Consulte um profissional qualificado, caso não esteja certo se um determinado material contém amianto.
- e. NÃO lixe magnésio ou ligas que contenham alto teor de magnésio.
- f. Conheça os acabamentos de pintura e tratamentos que podem ter sido aplicados ao material sendo lixado. Muitos tratamentos criam poeiras tóxicas, ou prejudiciais à saúde. Caso esteja trabalhando em uma construção feita antes de 1960, existe uma chance maior de encontrar tintas à base de chumbo.
- g. A poeira produzida quando se lixam tintas à base de chumbo é particularmente prejudicial para crianças, mulheres grávidas e pessoas com pressão alta. NÃO permita que essas pessoas fiquem perto do local de trabalho, mesmo que estejam usando o equipamento de proteção individual correto.
- h. Sempre que possível, use um sistema de aspiração de pó para controlar o pó e os resíduos.
- i. Tome cuidado especialmente quando usar uma ferramenta para lixamento de metal e madeira. As centelhas do metal podem incendiar a serragem da madeira com facilidade. Limpe SEMPRE sua ferramenta completamente, para reduzir o risco de incêndio.
- j. Esvazie o coletor ou recipiente (onde aplicável) de pó com frequência, durante a operação da ferramenta, antes das paradas e após o término do lixamento. A serragem pode se tornar um risco de explosão. NÃO atire o pó resultante do lixamento em fogo aberto. Pode ocorrer combustão espontânea, quando partículas de óleo ou água entram em contato com partículas de poeira. Descarte os materiais residuais com cuidado e de acordo com as leis e regulamentos locais.
- k. As superfícies de trabalho e lixas poderão se tornar muito quentes durante a operação. Se surgirem sinais de fogo (fumaça ou cinza), na superfície de trabalho, pare e deixe o material esfriar. NÃO toque a superfície de trabalho, ou a lixa, até que tenham tido tempo de esfriar.
- l. NÃO toque a lixa em movimento.
- m. Desligue SEMPRE a lixadeira quando for colocá-la na bancada.
- n. NÃO use em lixamento de materiais úmidos. Os líquidos que entram na carcaça do motor poderão provocar fortes choques elétricos.
- o. Desconecte SEMPRE a lixadeira da tomada, antes de trocar a lixa. Mesmo quando a ferramenta é usada conforme prescrito, não é possível eliminar todos os fatores de risco residuais. Caso tenha alguma dúvida com relação ao uso seguro desta ferramenta, não a use.

# Familiarização com o produto

1. Empunhadura dianteira
2. Empunhadura traseira
3. Cabo de alimentação elétrica
4. Bocal de extração de pó
5. Capa da correia do motor
6. Orifícios de montagem para braçadeira de inversão
7. Botão de ajuste de alinhamento
8. Cinta-lix
9. Botão de trava
10. Interruptor gatilho Liga/Desliga
11. Botão de ajuste de velocidade
12. Capa para saída de ar do motor
13. Tampa das escovas do motor
14. Rolete da correia dianteira
15. Alavanca de tensão da cinta
16. Rolete de acionamento

## Acessórios inclusos:

17. Tapete de instalação em bancada
18. 2 x Cinta-lix adicional
19. 2 x Braçadeira de inversão
20. Saco de coleta de pó
21. Cinta-lix sobressalente

## Uso Pretendido

Lixadeira de cinta de uso médio a intenso, para remoção de grandes quantidades de material. Para uso em madeiras macias, duras e materiais similares.

## Desembalagem da sua ferramenta

- Desembale e inspecione cuidadosamente seu produto. Familiarize-se com todos os seus recursos e funções.
- Certifique-se de que todas as peças do produto estão presentes e em bom estado. Caso estejam faltando peças ou existam peças danificadas, substitua-as primeiro, antes de tentar usar a ferramenta.

## Antes do uso

**AVISO:** Assegure-se de que a ferramenta está desconectada da fonte de alimentação, antes de instalar ou trocar acessórios, ou fazer quaisquer ajustes.

**Nota:** Esta lixadeira é fornecida totalmente montada. Pode ser usada imediatamente após tirada da caixa.

## Conexão do saco de coleta de pó

- Os métodos preferidos para extração de pó são a conexão da ferramenta a um aspirador de pó ou a um sistema de extração de pó de oficina.
- Caso um sistema de extração de pó não esteja disponível, deve-se conectar o Saco de coleta de pó (2) fornecido ao Bocal de extração de pó.

1. Localize o conector tipo baloneta, empurre o Saco de coleta de pó (figura A) e gire até que trave. Assegure-se de que o fecho do saco de coleta de pó está fechado.

2. Para remover o saco de coleta de pó, gire para fora para desengatar a balonete e, então, puxe para fora.

**AVISO:** Retire e NÃO use o saco de coleta de pó quando lixar metais. As fagulhas e partículas metálicas quentes podem atear fogo no pó de madeira residual, ou fazer com que o saco de coleta de pó pegue fogo. Quando lixar metal, conecte sempre a lixadeira a um aspirador de pó ou sistema de extração de pó de oficina. SEMPRE limpe a ferramenta COMPLETAMENTE, quando mudar de lixamento de madeira para lixamento de metal, e vice versa.

## Seleção do grau correto da cinta-lix

- É possível comprar cintas-lixas com diversos grãos em seu revendedor Triton local. Os grãos típicos são: Grosso (grão 40), Médio (grão 80 e 100) e Fino (grão 120).
- Use grão grosso para remover camadas grosseiras de madeira, o grão médio para alisar superfícies e o grão fino para fazer o acabamento.
- Faça um teste em um pedaço de material descartável, para determinar o melhor grão de cinta-lix a usar em cada trabalho específico.
- Para aproveitar ao máximo sua lixadeira, compre sempre cintas de boa qualidade.

**Nota:** Após o lixamento com uma lixadeira de cinta, poderá ser usada uma lixadeira orbital para se obter um acabamento mais liso. Entretanto, este processo apagará os detalhes dos veios da madeira. Caso você pretenda pintar a superfície de madeira, ou se não precisa que os veios da madeira apareçam, recomenda-se o lixamento posterior com uma lixadeira orbital.

## Instalação da cinta-lix

**AVISO:** SEMPRE desconecte a ferramenta da alimentação elétrica, antes de realizar qualquer inspeção, manutenção ou limpeza.

1. Puxe a Alavanca de tensão da cinta (15) para liberar a tensão na cinta e, então deslize a cinta antiga para fora (figura B).
2. Verifique se a correia de reposição tem uma junta em boas condições e não está desfiada nas bordas.
3. Deslize a nova cinta para sua posição (figura C), assegurando-se de que a seta indicadora de rotação, que ficam dentro da cinta, está apontando para o mesmo sentido da seta que fica na lateral da lixadeira.
4. Empurre a Alavanca de tensão da cinta (figura D) para aumentar a tensão na cinta.
5. Plugue a lixadeira em uma tomada de energia e, segurando-a com firmeza, aperte o Gatilho Liga/Desliga (10) e deixe a cinta girar por um breve intervalo de tempo.
6. Com a cinta em movimento, ajuste o botão de ajuste de alinhamento (7) para alinhar a cinta no centro do Rolete de acionamento. Repita até que a cinta esteja alinhada corretamente (só é necessária uma ligeira rotação do botão para alinhar a cinta) e, então, aperte o Gatilho Liga/Desliga por uns poucos segundos para permitir que a cinta se ajuste. Funcione a lixadeira por um minuto de modo a garantir que se obtenha o alinhamento correto, antes de usar a lixadeira em uma peça de trabalho.

**AVISO:** Não continue usando a lixadeira, se a cinta-lix estiver gasta ou danificada.

**AVISO:** Não use a mesma cinta-lix para madeira e metal. As partículas metálicas ficam embutidas na cinta e irão raspar a superfície metálica.

## Operação

### Acionamento e desligamento

1. Pressione e mantenha pressionado o Gatilho Liga/Desliga (10) para acionar a lixadeira.
2. Solte o Gatilho Liga/Desliga para desligar a ferramenta.
3. Para manter a lixadeira travada em funcionamento, pressione o Gatilho Liga/Desliga para acioná-la e pressione o Botão de trava (9) (figura E) para travar o Gatilho Liga/desliga na posição ON (LIGADA).
4. Para desativar, pressione o Gatilho Liga/Desliga, que liberará o Botão de trava com um clique, e soltará o Gatilho Liga/Desliga, permitindo o desligamento da lixadeira.

### Ajuste da velocidade

- A velocidade pode ser ajustada para se adequar ao material a ser cortado.
- Para ajustar a velocidade, mova o Botão de ajuste de velocidade (11) para a velocidade desejada (figura F).

**Nota:** Quando o Botão de ajuste de velocidade é colocado na posição de menor velocidade, '1', a velocidade da ferramenta é de 200 m/min; Quando o Botão de ajuste de velocidade é colocado na posição de menor velocidade, '7', a velocidade da ferramenta é de 400 m/min.

### Lixamento

**AVISO:** Use SEMPRE proteção ocular, auricular e respiratória adequadas, bem como luvas apropriadas, quando trabalhar com esta ferramenta.

**Nota:** Sempre que possível, use uma morsa para prender sua peça de trabalho à bancada.

**AVISO:** Não use esta lixadeira para lixar magnésio.

**Nota:** Assegure-se sempre de que a lixadeira está em boas condições.

1. Conecte a ferramenta na energia elétrica.
2. Aperte o Gatilho Liga/Desliga (10) e deixe que atinja a velocidade desejada, antes de fazer com que toque a superfície da peça de trabalho.
3. Caso precise de uma operação contínua, pressione o Botão de trava (9).
4. Abaixar a unidade sobre a superfície da peça de trabalho e aplique uma ligeira pressão.
5. Lixe na direção dos veios, em paralelo, com movimentos sobrepostos (figura G).
6. Para remover tinta ou alisar madeiras muito ásperas, lixe de forma transversal aos veios em um ângulo de 45°, nas duas direções, e faça o acabamento com movimentos paralelos aos veios.
7. Levante a lixadeira para longe da peça de trabalho, antes de desligá-la.
8. Lembre-se de manter suas mãos longe da cinta-lix em movimento, pois ela continuará se movimentando durante um certo tempo após o desligamento da máquina.

**Nota:** Para uma remoção ótima de pó, esvazie o Saco de coleta de pó (20) quando atingir a metade de sua capacidade.

**AVISO:** NÃO use o Saco de coleta de pó quando lixar metais. As partículas de metal quentes poderão atear fogo no pó de madeira residual ou no próprio saco de coleta de pó. Para conectar a lixadeira a um aspirador doméstico ou a um sistema de extração de pó, poderá ser usado um adaptador para aspirador de pó. O adaptador se encaixa no Bocal de extração de pó (4).

## Uso da braçadeira de inversão

- O conjunto de braçadeiras de inversão (19) permite o uso da Lixadeira de cinta Triton em posição invertida (figura H). A lixadeira só deve ser usada em posição invertida quando presa firmemente a uma estrutura adequada com uma superfície de trabalho sólida e plana.
1. Inverta a posição da lixadeira e coloque-a sobre uma superfície de trabalho plana e sólida. Assegure-se de que o lado inferior está plano e de que existe acesso suficiente para acomodar o comprimento das bases das garras G.
  2. Insira as braçadeiras de inversão totalmente em suas posições de fixação na lixadeira. Garanta que a seção rosqueada vertical de cada braçadeira está apertada para cima contra a borda da superfície de trabalho.
  3. Aperte as porcas borboleta de modo que a lixadeira fique presa com firmeza contra a superfície de trabalho.
  4. Instale o Saco de coleta de pó (20) ou o sistema de extração de pó compatível.
  5. Acione a lixadeira e use o Botão de trava (9) para mantê-la em funcionamento contínuo.
  6. Verifique se a cinta-lixá está presa firmemente na lixadeira e se está alinhada corretamente enquanto a ferramenta está operando. Se necessário, desligue a lixadeira e re-aperte a cinta-lixá.

**AVISO:** NÃO use a lixadeira invertida, a menos que esteja presa firmemente na superfície de trabalho.

**Nota:** Quando estiver prendendo a lixadeira de cinta, use o Tapete de instalação em bancada (17) abaixo da lixadeira de cinta para proteger a superfície de trabalho de danos e impedir a lixadeira de cinta de se mover.

## Acessórios

- Seu revendedor Triton possui um estoque completo de acessórios e de lixas-cinta de diversos grãos à sua disposição. Peças de reposição podem ser obtidas através do site: [toolsparesonline.com](https://toolsparesonline.com)

## Manutenção

**AVISO:** SEMPRE desconecte a ferramenta da alimentação elétrica, antes de realizar qualquer inspeção, manutenção ou limpeza.

### Esvaziamento do saco de coleta de pó (se equipado)

**AVISO:** Desligue sempre a lixadeira de cinta e desconecte-a da alimentação elétrica antes de desencaixar o Saco de coleta de pó (20) ou sistema de extração de pó.

1. Para remover o Saco de coleta de pó, gire para fora para desengatar a baioneta e, então, puxe para fora (figura A).
2. Abra o Saco de coleta de pó, esvazie e reinstale (ver 'Conexão do saco de coleta de pó').

**Nota:** Se o pó gerado pelo lixamento contiver substâncias prejudiciais, como partículas de pintura velha, verniz, revestimentos de superfície, etc., descarte sempre de acordo com as leis e regulamentos aplicáveis.

**Nota:** Para uma remoção ótima de pó, esvazie o Saco de coleta de pó quando atingir a metade de sua capacidade.

**Nota:** SEMPRE limpe a ferramenta COMPLETAMENTE, quando mudar de lixamento de madeira para lixamento de metal, e vice versa.

## Inspeção geral

- Verifique regularmente se todos os parafusos de montagem estão apertados. Eles podem se soltar com o tempo devido à vibração.
- Inspeção o cabo de energia da ferramenta, antes de cada utilização, em busca de desgaste ou danos. Reparos devem ser realizados por um Centro de Serviços Autorizado da Triton. Esta recomendação também se aplica aos cabos de extensão usados com esta ferramenta; procure sempre por danos e desgaste e, quando possível, leve o produto ao fabricante para reparos.

## Limpeza

- Mantenha sua ferramenta limpa o tempo todo. A sujeira e o pó produzem desgaste acelerado das peças internas e encurtam a vida útil da ferramenta. Limpe o corpo de sua ferramenta com uma escova macia ou pano seco. Se houver ar comprimido disponível, use-o para soprar a sujeira nas fendas de ventilação.
- Limpe a caixa da ferramenta com um pano macio usando um detergente suave. Nunca use álcool, gasolina e agentes de limpeza fortes.
- Nunca use agentes cáusticos para limpar peças plásticas.

## Lubrificação

- Lubrifique ligeiramente todas as peças móveis a intervalos regulares, usando um lubrificante aerossol adequado.

## Escovas

- Com o tempo, as escovas de carbono do motor poderão ficar gastas.
- Escovas excessivamente gastas, podem causar perda de potência, falhas intermitentes, ou centelhamento visível.
- Caso suspeite que as escovas estejam gastas, ambas devem ser substituídas simultaneamente.

## Troca das escovas do motor

**AVISO:** Assegure-se de que a lixadeira de cinta está desligada e que o cabo de alimentação está fora da tomada elétrica, antes de tentar trocar as escovas.

1. Localize a tampa com saídas de ar do motor (12) da lixadeira e as duas Tampas de escova (13).
  2. Remova as Tampas de escova com uma chave de fenda de ponta chata e, então, remova as duas escovas.
  3. Observe os entalhes nas pontas das escovas, que se alinhem com a forma dos furos na Tampa da escova, e coloque a nova escova dentro e aparafuse a Tampa da escova de volta.
- Nota:** A instalação das novas escovas pode ser feita uma por vez, mas é recomendado que ambas as escovas sejam substituídas durante a mesma sessão.
4. Uma vez que as escovas tenham sido substituídas, plugue a lixadeira de cinta na tomada e ligue-a. Funcione a lixadeira para testar o sucesso da troca.
  5. Caso não funcione, tente novamente a partir 1. Se depois da segunda tentativa de encaixar as escovas, ainda não existir energia, consulte a Assistência Técnica Autorizada da Triton.

## Troca da correia de acionamento

**Nota:** Esta lixadeira é fornecida com uma correia de acionamento sobressalente. Seu revendedor Triton tem disponíveis outras peças de reposição, que também podem ser adquiridas no site [toolsparesonline.com](https://toolsparesonline.com)

1. Remova os parafusos que prendem a Capa da correia do motor (5), com uma chave Phillips.
2. Remova a correia gasta, soltando-a na parte de baixo da polia de acionamento maior, e puxando-a depois para longe.
3. Limpe toda a poeira e detritos que encontrar.
4. Coloque a nova correia de acionamento sobre a polia de acionamento superior, empurre-a sobre a polia maior e gire a cinta até fique encaixada em ambas as polias, dentro de suas respectivas fendas.
5. Reinstale a Capa da correia do motor e prendendo-a firmemente com os parafusos de fixação.
6. Faça um teste de funcionamento com a lixadeira em baixa velocidade. Caso esteja instalada corretamente, a lixadeira estará pronta para uso.

## Contato

Para obter orientações técnicas ou sobre reparos, ligue para o número da Assistência ao Cliente:

(+44) 1935 382 222

### Web:

[tritontools.com/en-GB/Support](https://tritontools.com/en-GB/Support)

### Endereço:

Powerbox, Boundary Way, Lufton Trading Estate, Yeovil, Somerset, BA22 8HZ, Reino Unido

## Armazenamento

- Guarde esta ferramenta com cuidado, em um lugar seguro e seco, fora do alcance de crianças.

## Descarte

Cumpra sempre as leis nacionais ao descartar ferramentas elétricas que não funcionam mais e cujo reparo não é mais viável.

- Não descarte ferramentas elétricas, ou outros equipamentos elétricos e eletrônicos (WEEE) no lixo doméstico.
- Contate a autoridade local de eliminação de resíduos para saber o modo correto de descartar ferramentas elétricas.

## Resolução de problemas

Problema	Possível causa	Solução
Nada funciona quando o Gatilho Liga/Desliga (10) é acionado	Não há energia	Verifique a fonte de alimentação elétrica
	Gatilho Liga/Desliga danificado	Leve a máquina a um Centro de Serviço Autorizado da Triton, para troca do Gatilho Liga/Desliga
A lixadeira puxa para um lado durante a operação	Cinta-lixo fora de centro	Ajuste o Botão de ajuste de alinhamento da cinta (7) para alinhá-la. Se o problema persistir, reinstale a cinta conforme as instruções em 'Instalação da cinta-lixo'
	Cinta-lixo solta	Assegure-se de que a Alavanca de tensão da cinta (15) está firmemente fechada. Se o problema persistir, reinstale a cinta conforme as instruções em 'Instalação da cinta-lixo'
A lixadeira é acionada independentemente da operação do Gatilho Liga/Desliga	O Botão de trava (9) está ativado	Para parar a máquina, aperte e solte o Gatilho Liga/Desliga.

## Garantia

Para registrar sua garantia, visite nosso site em [tritontools.com](http://tritontools.com)\* e cadastre suas informações. Seus dados serão incluídos em nossa lista de endereços (a menos que indicado de outro modo) para que você receba informações sobre lançamentos futuros. Os dados que nos fornecer não serão repassadas a terceiros.

## Registro de compra

Data de compra: \_\_\_ / \_\_\_ / \_\_\_

Modelo: T41200BS Retenha sua nota fiscal como comprovante de compra.

A Triton Precision Power Tools garante ao comprador deste produto que se qualquer peça estiver comprovadamente defeituosa devido a falhas de material ou

mão de obra durante os próximos 3 anos a partir da data da compra original, Triton irá reparar ou, a seu critério, substituir a peça defeituosa sem custo.

Esta garantia não se aplica ao uso comercial nem se estende ao desgaste normal ou a danos decorrentes de acidente, abuso ou uso indevido.

\* Registre-se online dentro de 30 dias após a compra.

Termos e condições aplicáveis.

Isto não afeta seus direitos legais.

## Declaração de conformidade

O abaixo assinado: **Sr. Darrell Morris**

Conforme autorizado por: Triton Tools

**Declara que o equipamento:** Está declaração foi emitida sobre a responsabilidade do fabricante. A presente declaração está em conformidade com a Legislação de Harmonização da União (Norma europeia).

**Código de identificação:** T41200BS

**Descrição:** Lixadeira de cinta de 100 mm 1200W

**Está em conformidade com os seguintes padrões e diretivas:**

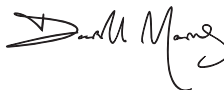
- Diretiva de Maquinário 2006/42/EC
- Diretiva de EMC 2014/30/EU
- Diretiva de RoHS 2011/65/EU
- EN60745-1:2009+A11:2010
- EN60745-2-4:2009+A11:2011
- EN55014-1:2006+A1:2009+A2:2011
- EN55014-2:1997+A1:2001+A2:2008
- EN61000-3-2:2014
- EN61000-3-3:2013

**Orgão notificado:** TÜV Rheinland Co., Ltd

**A documentação técnica é mantida pela:** Triton Tools

**Data:** 04/07/16

**Assinado:**



Mr Darrell Morris

Diretor Geral

**Nome e endereço do fabricante:**

Powerbox International Limited, Company No. 06897059. Registered address: Powerbox, Boundary Way, Lufton Trading Estate, Yeovil, Somerset, BA22 8HZ, United Kingdom.

# Tłumaczenie oryginalnej instrukcji

## Wprowadzenie

Dziękujemy za zakup narzędzia marki Triton. Zalecamy zapoznać się z niniejszymi instrukcjami: zawierają one informacje niezbędne dla bezpiecznej i wydajnej obsługi produktu. Produkt posiada szereg unikalnych funkcji, dlatego też, nawet, jeśli jesteś zaznajomiony z podobnymi produktami, przeczytanie instrukcji obsługi umożliwi Ci pełne wykorzystanie tego wyjątkowego projektu. Przechowuj niniejsze instrukcje w zasięgu ręki i upewnij się, że użytkownicy narzędzia przeczytali i w pełni zrozumieli wszystkie zalecenia.

## Opis symboli

Tabela znamionowa zawiera symbole dotyczące narzędzia. Stanowią one istotne informacje o produkcie lub instrukcje dotyczące jego stosowania.



Należy nosić środki ochrony słuchu  
Należy nosić okulary ochronne  
Należy nosić środki ochrony dróg oddechowych  
Należy używać kasku ochronnego



Należy nosić rękawice ochronne



Należy w całości przeczytać instrukcję obsługi



**NIE WOLNO** używać podczas deszczu, bądź w wilgotnym środowisku!



**OSTRZEŻENIE:** Ruchome części mogą spowodować obrażenia ciała w postaci zmażdżeń i ran ciętych



Konstrukcja klasy II (podwójnie izolowana w celu dodatkowej ochrony)



**Ochrona środowiska** Nie należy wyrzucać zużytych produktów elektrycznych wraz z odpadami komunalnymi. Jeśli jest to możliwe, należy przekazać produkt do punktu recyklingu. W celu uzyskania wskazówek dotyczących recyklingu należy skontaktować się z władzami lokalnymi lub sprzedawcą.



Urządzenie zgodne z odpowiednimi przepisami i normami bezpieczeństwa



**Uwaga!**



Toksyczne opary lub gazy!

## Kluczowe skróty techniczne

V	Wolt
~	Prąd przemienny
A	Amper
n <sub>0</sub>	Prędkość bez obciążenia
Hz	Herc
W, kW	Wat, kilowat
/min or min <sup>-1</sup>	obroty na minutę

## Dane techniczne

Nr modelu:	T41200BS
Napięcie elektryczne:	220–240V, 50/60Hz
Długość kabla zasilającego:	2,6 m
Moc wejściowa:	1200 W
Prędkość rolki:	2500 obr./min
Prędkość bez obciążenia :	200–400 m/min
Klasa ochrony:	
Nr IP ber:	IP20
Powierzchnia szlifująca:	100 x 156 mm
Rozmiar pasa szlifierskiego:	100 x 610 mm
Rozmiar szlifierki (dł. x szer. x wys.):	410 x 181 x 181 mm
Waga:	6 kg
<b>Parametry emisji dźwięku i wibracji:</b>	
Poziom ciśnienia akustycznego L <sub>PA</sub> :	95,4 dB(A)
Poziom mocy akustycznej L <sub>WA</sub> :	106,4 dB(A)
Niepewność pomiaru K	3 dB
Wartość emisji wibracji a <sub>h</sub> (rękojeść główna):	4,92m/s <sup>2</sup>
Wartość emisji wibracji a <sub>h</sub> (rękojeść przednia):	6,70 m/s <sup>2</sup>
Niepewność pomiaru K:	1,5m/s <sup>2</sup>
Poziom natężenia dźwięku dla operatora może przekroczyć 85dB(A) dlatego konieczne jest zastosowanie środków ochrony słuchu.	

W wyniku nieprzerwanego procesu rozwojowego produktów specyfikacje produktów Triton mogą ulec zmianie bez uprzedniego powiadomienia.

**OSTRZEŻENIE:** Jeżeli poziom hałasu przekracza 85dB(A) należy zawsze stosować środki ochrony słuchu oraz, jeśli to konieczne, ograniczyć czas narażenia słuchu na nadmierny hałas. Jeśli poziom hałasu powoduje dyskomfort, nawet w przypadku zastosowania środków ochrony słuchu, niezwłocznie przestań korzystać z narzędzia i sprawdź czy środek ochrony słuchu jest prawidłowo zamontowany i zapewnia odpowiedni poziom tłumienia dźwięku w odniesieniu do poziomu hałasu wytwarzanego przez narzędzie.

**OSTRZEŻENIE:** Narażenie użytkownika na wibracje narzędzia może spowodować utratę zmysłu dotyku, drętwienie, mrowienie i zmniejszenie zdolności uchwytu. Długotrwałe narażenie może prowadzić do stanu przewlekłego. Jeśli jest to konieczne, ogranicz czas narażenia na wibracje i stosuj rękawice antywibracyjne. Nie korzystaj z urządzenia w trybie ręcznym w temperaturze niższej niż normalna komfortowa temperatura otoczenia, ponieważ zwiększy to efekt wywołany przez wibracje. Skorzystaj z wartości liczbowych podanych w specyfikacji dotyczącej wibracji, aby obliczyć czas trwania i częstotliwość pracy z narzędziem.

Poziom hałasu i drgań w specyfikacji określone są zgodnie z normą EN60745 lub podobnymi normami międzynarodowymi. Wartości te reprezentują korzystanie z urządzenia w normalnych warunkach roboczych. Niedbała konserwacja, nieprawidłowy montaż lub nieprawidłowe użytkowanie urządzenia mogą spowodować wzrost poziomu hałasu oraz wibracji. [www.osha.europa.eu](http://www.osha.europa.eu) dostarcza informacji na temat poziomów hałasu i wibracji w środowisku pracy, które mogą być przydatne dla użytkowników prywatnych, którzy korzystają z urządzenia przez długi czas.



# Instrukcje dotyczące bezpieczeństwa

**OSTRZEŻENIE** Przeczytaj wszystkie ostrzeżenia i instrukcje bezpieczeństwa. Nieprzestrzeganie ostrzeżeń i instrukcji może prowadzić do porażenia prądem, pożaru i / lub poważnych obrażeń.

**OSTRZEŻENIE:** Urządzenie nie jest przeznaczone do użytkowania przez osoby (w tym dzieci) o ograniczonej sprawności fizycznej lub umysłowej, lub o braku doświadczenia i wiedzy, chyba, że będą one nadzorowane lub zostaną poinstruowane na temat korzystania z urządzenia przez osobę odpowiedzialną za ich bezpieczeństwo. Należy pilnować, aby dzieci nie próbowały korzystać z urządzenia, jako zabawki.

Zachowaj wszystkie ostrzeżenia i instrukcje na przystawie.

Termin „elektronarzędzie” odnosi się do urządzenia zasilanego sieciąwo (przewodowego) lub urządzenia zasilanego za pomocą baterii (beprzewodowego).

## 1) Bezpieczeństwo obszaru pracy

- Zadbaj o prawidłową higienę i prawidłowe oświetlenie obszaru pracy. Zaniedbanie lub brak wystarczającego oświetlenia obszaru pracy mogą doprowadzić do wypadków.
- Nie należy używać elektronarzędzi w przestrzeniach zagrożonych wybuchem, np. w obecności łatwopalnych cieczy, gazów lub pyłów. Urządzenia elektryczne wytwarzają iskry, które mogą podpalić pył lub opary.
- Nie dopuszczaj dzieci ani innych osób do obszaru pracy elektronarzędzi. Nieuwaga może spowodować utratę kontroli.

## 2) Bezpieczeństwo elektryczne

- Wtyczka elektronarzędzia musi pasować do gniazda zasilania. Nie wolno modyfikować wtyczki w żaden sposób. W przypadku elektronarzędzi z uziemieniem nie należy stosować przejściówek. Originalne wtyczki i pasujące gniazda zmniejszają ryzyko porażenia prądem.
- Unikaj dotyku uziemionych powierzchni, takich jak rury, grzejniki, piece i lodówki. Uziemienie ciała powoduje zwiększenie ryzyka porażenia prądem.
- Nie wystawiaj elektronarzędzi na działanie deszczu lub wilgoci. Przedostanie się wody do urządzenia zwiększa ryzyko porażenia prądem.
- Nie należy nadwyręzać kabla. Nigdy nie używaj go do przenoszenia, przeciągania lub odłączania elektronarzędzia. Trzymaj przewód z dala od źródeł ciepła, oleju, ostrych krawędzi lub ruchomych części urządzenia. Uszkodzone lub poplątane kable zwiększają ryzyko porażenia prądem.
- W przypadku korzystania z urządzenia na wolnym powietrzu używaj przedłużacza przystosowanego do użytkowania na zewnątrz. Korzystanie z przedłużacza przystosowanego do użycia na zewnątrz zmniejsza ryzyko porażenia prądem.
- W przypadku korzystania z elektronarzędzia w miejscu o dużym natężeniu wilgoci należy używać gniazda zasilania wyposażonego w wyłącznik różnicowoprądowy (RCD). Korzystanie z wyłącznika różnicowoprądowego zmniejsza ryzyko porażenia prądem.

## 3) Bezpieczeństwo osobiste

- Podczas korzystania z elektronarzędzi bądź czujny, uważaj i zachowaj zdrowy rozsądek. Nie używaj ich, gdy jesteś zmęczony albo pod wpływem narkotyków, alkoholu lub leków. Chwila nieuwagi podczas obsługi urządzenia może spowodować poważne obrażenia ciała.
- Korzystaj ze środków ochrony osobistej. Zawsze stosuj środki ochrony oczu. Wyposażenie ochronne, takie jak maska przeciwpyłowa, obuwie robocze antypoślizgowe na szorstkiej podłożu, kask ochronny lub nasznik ochronne używane w odpowiednich warunkach, zmniejsza ryzyko obrażeń.
- Zapobiegaj przypadkowemu włączeniu urządzenia. Przed podłączeniem do źródła zasilania i / lub akumulatora, podnoszeniem lub przenoszeniem narzędzia, upewnij się, że przełącznik zasilania znajduje się w pozycji wyłączonej. Przenoszenie urządzenia z palcem umieszczonym na wyłączniku zasilania lub podłączenie elektronarzędzi przy włączonym przełączniku zasilania stwarza ryzyko wypadku.
- Przed włączeniem elektronarzędzia usuń z niego wszelkie klucze regulacyjne. Narzędzie lub klucz pozostawiony w obracającej się części elektronarzędzia może spowodować obrażenia ciała.
- Nie wychylaj się. W każdej chwili zachowaj odpowiednią pozycję i równowagę. Umożliwia to lepszą kontrolę nad elektronarzędziem w nieoczekiwanych sytuacjach.
- Noś odpowiednią odzież. Nie zakładaj do pracy z elektronarzędziami długich odzieży ani biżuterii. Trzymaj włosy, odzież i rękawice z dala od ruchomych części urządzenia. Luźne ubranie, biżuteria lub długie włosy mogą zostać wciągnięte przez ruchome części urządzenia.
- Jeśli do zestawu załączone są urządzenia do podłączenia mechanizmów odsysania i zbierania pyłu, sprawdź czy są one przyłączone i prawidłowo zamocowane. Korzystanie z urządzenia odsysającego pył może zmniejszyć zagrożenie pyłami.

## 4) Użytkowanie i pielęgnacja elektronarzędzi.

- Nie należy przeciążać urządzenia. Używaj narzędzi odpowiednich do danego zastosowania. Prawidłowe narzędzie wykona zadanie lepiej i bezpieczniej w podanym zakresie sprawności.
  - Nie należy używać urządzenia, jeśli nie można go włączyć lub wyłączyć za pomocą odpowiedniego przełącznika. Urządzenia, które nie mogą być kontrolowane za pomocą przełącznika są niebezpieczne i muszą zostać oddane do naprawy.
  - Przed dokonaniem regulacji, wymiany akcesoriów lub przechowywaniem elektronarzędzia odłącz wtyczkę od źródła zasilania i / lub akumulator od urządzenia. To prewencyjne środki bezpieczeństwa zmniejszają ryzyko przypadkowego uruchomienia elektronarzędzia.
  - Nie używaj elektronarzędzie przechowyw w miejscu niedostępnym dla dzieci i nie dopuszczaj do nich osób nie znających elektronarzędzi lub ich instrukcji obsługi. Elektronarzędzia stanowią niebezpieczeństwo w rękach nieodświadczonego użytkowników.
  - Przeprowadzaj konserwację elektronarzędzi. Sprawdź urządzenie pod kątem nieprawidłowego ustawienia lub zablokowania elementów ruchomych, pęknięć części lub innych usterek, które mogą mieć negatywny wpływ na funkcjonowanie urządzenia. W przypadku usterek należy naprawić urządzenie przed ponownym użyciem. Niewłaściwa konserwacja elektronarzędzi jest przyczyną wielu wypadków.
  - Urzuymyj narzędzia tnące w czystości i dobrze naostrzone. Zadbane narzędzia tnące z ostrymi krawędziami tnącymi rzadziej się zacinają i łatwiej nimi sterować.
  - Używaj elektronarzędzia, akcesoria, końcówki itp. zgodnie z tymi instrukcjami, biorąc pod uwagę warunki pracy i realizowane zadania. Używanie narzędzi do wykonywania prac niezgodnych z ich przeznaczeniem może doprowadzić do niebezpiecznych sytuacji.
- ## 5) Serwis
- Urządzenie powinno być serwisowane przez wykwalifikowany personel naprawy przy użyciu wyłącznie oryginalnych części zamiennych. Zagwarantuje to bezpieczeństwo elektronarzędzia.

# Bezpieczeństwo korzystania z urządzeń szlifierskich

## OSTRZEŻENIE!

- Należy trzymać elektronarzędzie za izolowane uchwyty bądź same uchwyty, ponieważ pas/arkusz szlifierski może dojść do kontaktu z kablem zasilania. Przechowanie kabla pod napięciem może spowodować, że odskónięte elementy metalowe staną się przewodnikiem prądu i mogą grozić porażeniem prądem operatora.
  - Należy użyć zacisków, bądź innego sposobu do podtrzymania obrabianego elementu do stabilnej podstawy. Przytrzymanie obrabianego elementu ręką bądź ciałem, sprawia, że jest niestabilny i może to doprowadzić do utraty kontroli.
  - W razie konieczności wymiany przewodu zasilania, należy jej dokonać przez producenta bądź jego powiernika, aby uniknąć ryzyka bezpieczeństwa.
  - Zalecane jest zasilanie urządzenia TYLKO z wykorzystaniem wyłącznika różnicowoprądowego (RCD) o znamionowym prądzie różnicowym nie przekraczającym 30 mA.
- Zawsze należy stosować odpowiednie środki ochrony osobistej, w tym maskę przeciwpyłową przynajmniej klasy FFP2, środki ochrony oczu i ochraniacze uszu.
  - Upewnij się, że wszystkie osoby znajdujące się w pobliżu obszaru roboczego są również wyposażone w odpowiednie środki ochrony osobistej
  - Zachowaj szczególną ostrożność podczas szlifowania pewnych rodzajów drewna (takich jak buk, dąb, mahoni i drzewo teflowe), ponieważ podczas szlifowania produkowany jest toksyczny pył, który może powodować poważne reakcje organizmu
  - NIGDY nie należy próbować szlifować materiałów zawierających azbest. W razie niepewności co do rodzaju materiału, należy się skontaktować ze specjalistą.
  - NIE WOLNO szlifować magnezu lub stopów zawierających wysoki odsetek magnezu
  - Uważaj na lakier wykończeniowy lub środki ochronne zastosowane na szlifowanym materiale. Wiele środków lakierniczych może powodować wytworzenie toksycznego w szkodliwego pyłu. W przypadku pracy wykonywanej w budynkach wzniesionych przed rokiem 1960, istnieje ryzyko, że zastosowano w nich farby zawierające ołów.
  - Pył wytwarzany podczas szlifowania farb zawierających ołów jest szkodliwy szczególnie w przypadku dzieci, kobiet w ciąży oraz osób cierpiących na nadciśnienie. Nie należy dopuszczać tych osób w pobliże obszaru roboczego, nawet przy zastosowaniu odpowiednich środków ochrony osobistej.
  - Jeśli jest to możliwe, zaleca się korzystanie z systemu odsysania pyłu w celu zachowania kontroli nad emisjami pyłu i innych odpadów
  - Zachować szczególną ostrożność podczas stosowania urządzenia do szlifowania żarowna drewna, jak i metalu. Iskry wytwarzane podczas

szlifowania metalu mogą łatwo podpalić drewniany pył. Należy zawsze dokładnie czyścić urządzenie, aby zmniejszyć ryzyko pożaru.

- j. Należy opróżnić torbę na pył bądź pojemnik (w stosownych przypadkach) często podczas jego użytkowania, przed przzerwaniem pracy, bądź po całkowitym jej skończeniu. Kurz może stać się zagrożeniem wybuchu. NIE WOLNO wyrzucać pyłu/kurzu do otwartego ognia. Spontaniczne spalanie może wystąpić w przypadku, gdy cząsteczki oleju lub wody znajdują w kontakcie z cząstkami kurzu. Należy zutylizować takie odpady starannie i zgodnie z lokalnymi przepisami.
- k. Podczas korzystania z urządzenia powierzchnie robocze oraz papier ścierny mogą ulec znacznemu nagrzananiu. Należy niezwłocznie przerwać pracę z urządzeniem w przypadku pojawienia się śladów spalania (dymu lub popiołu) na powierzchni roboczej i odczekać, aż materiał ostygnie. Nie wolno dotykać powierzchni przedmiotu obróbki oraz papieru ściernego, dopóki nie ostygną.
- l. Nie dotykać papieru ściernego w ruchu.
- m. Należy zawsze wyłączyć szlifierkę przed odłożeniem
- n. NIE WOLNO stosować do szlifowania na mokro. Płyn, który dostanie się do silnika może spowodować poważne porażenie prądem.
- o. Przed rozpoczęciem wymiany lub zakładania papieru ściernego należy zawsze odłączyć szlifierkę od źródła zasilania
- p. Nawet wtedy, gdy urządzenie jest używane zgodnie z zaleceniami, nie jest możliwe wyeliminowanie wszystkich pozostałych czynników ryzyka rezydualnego. Nie korzystaj z urządzenia w przypadku pojawienia się wątpliwości dotyczących jego bezpiecznego użytkowania

## Przedstawienie produktu

1. Przedział rękawic
  2. Tylna rękawic
  3. Przewód główny
  4. Port odsysania pyłu
  5. Osłona pasa napędowego
  6. Otwór zaciskowy
  7. Pokrętko regulacji pasa
  8. Pas szlifierski
  9. Przycisk blokady przełącznika w pozycji 'On'
  10. Przełącznik spustowy On/Off
  11. Pokrętko regulacji prędkości
  12. Wentylowana osłona silnika
  13. Osłona szczotek
  14. Przednia rolka pasa
  15. Dźwignia napaniania pasa
  16. Napęd rolki
- Akcesoria w komplecie: <need images>
17. Mata montażu na stole
  18. 2 x zapasowe pasy szlifierskie
  19. 2 x zaciski
  20. Torba na pył
  21. Dodatkowy napęd pasa

## Zastosowanie zgodnie z przeznaczeniem

Szlifierka taśmowa do obróbki średniej lub ciężkiej, do usuwania większych ilości materiału, stosowana w przypadku zarówno drewna miękkiego, jak i twardego oraz przy podobnych materiałach.

## Rozpakowanie narzędzia

- Ostrożnie rozpakuj i sprawdź narzędzie. Zapoznaj się z wszystkimi mechanizmami i funkcjami.
- Upewnij się, że narzędzie zawiera wszystkie części i są one w dobrym stanie. Jeśli brakuje pewnych części lub są one uszkodzone, należy uzupełnić lub wymienić je przed rozpoczęciem korzystania z narzędzia.

## Przygotowanie do eksploatacji

**OSTRZEŻENIE:** Przed rozpoczęciem montowania lub zmiany akcesoriów należy upewnić się, że urządzenie jest odłączone od zasilania.

**Uwaga:** Szlifierka jest dostarczana w stanie pełnego zmontowania. Można rozpocząć korzystanie z urządzenia bezpośrednio po rozpakowaniu.

## Mocowanie torby na pył

- Zalecaną metodą odsysania pyłu jest podłączenie urządzenia do odkurzacza lub warsztatowego systemu odsysania pyłu.
- Jeśli nie jest możliwe podłączenie urządzenia do systemu odsysania pyłu, należy zamontować załączoną do zestawu torbę na pył (20) do przyłącza do odsysania pyłu (4)

1. Zlokalizuj przyłącze bagnetowe, obróć, aż element zostanie zablokowany. Upewnij się, że suwak worka na pył jest zamknięty (Zdjęcie A)

2. W celu zdjęcia worka na pył obróć przyłącze na zewnątrz w celu odblokowania przyłącza bagnetowego i ściągnij worek.

**OSTRZEŻENIE:** NIE WOLNO zakładać i korzystać z worka na pył podczas szlifowania metalu. Gorące opiłki metalu oraz iskry mogą zapalić pozostałości opiłków drewna i podpalić worek. W przypadku szlifowania metalu należy stosować wydajny odkurzacz lub lokalny system odsysania pyłu. Należy zawsze DOKŁADNIE czyścić urządzenie w przypadku przejścia do szlifowania drewna do szlifowania metalu i odwrotnie.

## Wybór właściwej ziarnistości pasa szlifierskiego

- W lokalnych sklepach z narzędziami dostępne są pasy szlifierskie o różnej ziarnistości. Typowe stopnie ziarnistości to:
- Gruboziarnisty (ziarnistość 40), średni (ziarnistość 80 i 100) i drobnoziarnisty (ziarnistość 120)
- Używaj zorstkiej taśmy w celu wygładzenia zorstkich powierzchni, średniej taśmy w celu wygładzenia przedmiotu obróbki i taśmy drobnoziarnistej w celu wykończenia obróbki.
- Wykonaj szlifowanie próbne na niepotrzebnym kawałku materiału w celu określenia optymalnej ziarnistości taśmy dla danego zadania.
- W celu uzyskania pełnej wydajności szlifierki kupuj zawsze taśmy szlifierskie wysokiej jakości.

**Uwaga:** Po zakończeniu szlifowania szlifierką taśmową, zalecane jest skorzystanie ze szlifierki oscylacyjnej w celu gładszego wykończenia powierzchni. Proces ten spowoduje jednak utratę wyrazistości włókien drewna. Dodatkowe szlifowanie szlifierką oscylacyjną jest zalecane, jeśli drewno ma być malowane lub jeśli nie jest konieczne utrzymanie wyrazistości włókien drewna.

## Mocowanie pasa szlifierskiego

**OSTRZEŻENIE:** Przed przeprowadzeniem kontroli, czynności konserwacyjnych lub czyszczenia zawsze odłączaj urządzenie od źródła zasilania.

1. Przekręć dźwignię naciągu taśmy (15) w celu poluzowania i zsunięcia starej taśmy szlifierskiej.
2. Upewnij się, że nowa taśma jest dobrze złączona i nie ma wystyrżniętych brzegów.
3. Wsuń nową taśmę w odpowiednie miejsce (Zdjęcie C), upewniając się, że strzałka wskazująca kierunek obrotów, umieszczona wewnątrz taśmy wskazuje ten sam kierunek, co strzałka umieszczona na boku szlifierki.
4. Przekręć dźwignię naciągu taśmy (12) (Zdjęcie D), aby zwiększyć napięcie taśmy szlifierskiej.
5. Podłącz szlifierkę do gniazda zasilania, naciśnij przełącznik On/Off (Włączony/Wyłączony) (10) mocno trzymając urządzenie i na chwilę uruchom obroty taśmy.
6. Kiedy taśma jest uruchomiona wyśrodkuj jej ułożenie względem wałka napędowego (7) za pomocą pokrętła regulacji toru biegu taśmy (16). Powtarzaj czynność aż do odpowiedniego poziomu wyrównania taśmy (w celu przeprowadzenia regulacji wymagany jest jedynie niewielki obrót pokrętła), a następnie przytrzymaj wałecznik zapłonu przez kilka sekund, aby taśma ustawiła się w odpowiedniej pozycji. Zanim przyłożysz szlifierkę do przedmiotu obróbki włącz urządzenie na minutę, aby upewnić się, że taśma jest odpowiednio wyrównana.

**OSTRZEŻENIE:** Jeśli taśma szlifierska jest zużyta lub uszkodzona, niezwłocznie przewij korzystanie z narzędzia.

**OSTRZEŻENIE:** Nie używaj tej samej taśmy do szlifowania drewna i metalu. Opiłki metalu wbite w taśmę spowodują zarysowania powierzchni drewna.

## Obsługa

### Włączanie i wyłączanie

1. Naciśnij i przytrzymaj przełącznik On/Off (10), aby uruchomić szlifierkę
2. Zwolnij przełącznik On/Off, aby zatrzymać szlifierkę
3. W celu zablokowania szlifierki w pozycji ON, wciśnij przełącznik On/Off, aby uruchomić szlifierkę, po czym wciśnij przycisk blokady przełącznika w pozycji On (9) (Zdjęcie E)
4. Aby dezaktywować funkcję, wciśnij przełącznik spustowy On/Off, który od kliknie blokadę przełącznika, po czym zwolnij przycisk spustowy przełącznika

### Regulacja prędkości

- Urządzenie posiada możliwość dostosowania prędkości szlifowania odpowiednio do rodzaju szlifowanego materiału.
- W celu regulacji prędkości przekręć pokrętko regulacji prędkości (11) ( Zdjęcie E).

**Uwaga:** Gdy pokrętko regulacji prędkości jest ustawione na najniższej pozycji prędkości "1" prędkość wynosi 200m / min; gdy pokrętko regulacji prędkości jest ustawione na najwyższej pozycji prędkości "7" prędkość wynosi 400 m / min .

## Szlifowanie

**OSTRZEŻENIE:** Podczas korzystania z narzędzia należy zawsze stosować środki ochrony oczu, odpowiednią maskę przeciwpyłową, ochraniacze słuchu i rękawice ochronne.

**Uwaga:** Jeśli jest to możliwe, skorzystaj z zacisków w celu zamocowania przedmiotu obróbki na stole warsztatowym.

**OSTRZEŻENIE:** Nie wolno używać urządzenia do szlifowania magnezu.

**Uwaga:** Upewnij się, że taśma jest w dobrym stanie.

1. Podłącz narzędzie do źródła zasilania.
2. Wciśnij przełącznik zapięcia On/Off (10) zaczełkaj, aż taśma osiągnie żądaną prędkość, zanim opuścisz narzędzie na przedmiot obróbki.
3. Naciśnij przycisk blokady (9), aby zablokować narzędzie w pozycji włączonej.
4. Opuść urządzenie na powierzchnię przedmiotu obróbki i lekko dociśnij.
5. Szlifuj wzdłuż włókien drewna, wykonując równoległe, nakładające się na siebie ruchy (Zdjęcie G)
6. W celu usuwania farby lub szlifowania bardzo szorstkiego drewna, szlifuj najpierw w poprzek włókien pod kątem 45° w obu kierunkach, a następnie wykonaj drewno szlifując wzdłuż włókien.
7. Przed włączeniem szlifierki zdejmij ją z przedmiotu obróbki.
8. Pamiętaj, aby trzymać ręce z dala od obracającej się taśmy, ponieważ po wyłączeniu urządzenia będzie się ona nadal obracać przez chwilę.

**Uwaga:** Dla optymalnej wydajności usuwania pyłu należy opróżnić torbę na pył (20), gdy będzie on napełniony nieco ponad połowę objętości.

**OSTRZEŻENIE:** Nie wolno korzystać z worka na pył podczas szlifowania metalu. Gorące opłiki metalu oraz iskry mogą zapalić pozostałości opłzków drewna i podpalić worek. W celu podłączenia odkurzacza lub warsztatowego systemu odsysania pyłu do szlifierki możliwe jest zastosowanie króćca redukcyjnego. Króciec podłączany jest do przyłącza do odsysania pyłu (4).

## Stosowanie zacisków

• Komplet zacisków mocujących (19) umożliwia korzystanie ze szlifierki taśmowej Triton o w pozycji odwróconej (Zdjęcie H). Szlifierka może być używana w pozycji odwróconej, tylko, jeśli jest zamocowana na odpowiedniej konstrukcji o stabilnej, płaskiej powierzchni roboczej.

1. Odwróć urządzenie i umieść na stabilnej, płaskiej powierzchni roboczej. Upewnij się, że urządzenie znajduje się na płaskim podłożu, pod którym jest wystarczająca ilość przestrzeni w celu zamocowania zacisków śrubowych
2. Całkowicie wkręć zaciski śrubowe w otwory mocujące szlifierki. Upewnij się, że gwintowana część każdego zacisku znajduje się jak najbliżej krawędzi przedmiotu obróbki
3. Dokręć nakrętki motylkowe, aby odpowiednio zamocować szlifierką na powierzchni roboczej
4. Zamontuj torbę na pył (20) bądź kompatybilny system ekstrakcji pyłu
5. Włącz szlifierkę i skorzystaj z przycisku blokady (9), aby zablokować narzędzie w pozycji uruchomionej
6. Po uruchomieniu szlifierki sprawdź, czy taśma szlifierska jest odpowiednio zamocowana i wyrównana. Jeśli jest to konieczne, wyłącz i wyreguluj szlifierkę

**OSTRZEŻENIE:** NIE WOLNO używać szlifierki w pozycji odwróconej, jeśli nie jest ona przymocowana do powierzchni roboczej.

**Uwaga:** Kiedy szlifierka jest zacisnięta, należy zastosować matę do montażu na stole roboczym (17) pomiędzy pasem szlifierskim, aby zabezpieczyć powierzchnie roboczą przed uszkodzeniem i przesuwaniem się urządzenia.

## Akcesoria

• Pełny zakres akcesoriów, np. pasów szlifierskich o różnorodnej ziarnistości jest dostępny u dystrybutora Triton. Zakup części zamiennych jest dostępny na stronie internetowej [toolsparsonline.com](https://toolsparsonline.com).

## Konserwacja

**OSTRZEŻENIE:** Przed przeprowadzeniem kontroli, czynności konserwacyjnych lub czyszczenia zawsze odłączaj urządzenie od źródła zasilania.

## Opróżnianie torby na pył (jeśli jest zamontowana)

**OSTRZEŻENIE:** Przed zamontowaniem torby na pył, bądź systemu odsysania pyłu należy zawsze wyłączać urządzenie i odłączyć je od źródła zasilania.

1. W celu zdjęcia worka na pył obróć przyłącze na zewnątrz w celu odblokowania przyłącza bagnetowego i ściągnij worek.
2. Otwórz worek, opróżnij go ponownie zamocuj (patrz „Przyłączanie systemu odsysania pyłu”)

**Uwaga:** Jeśli pył pochodzący ze szlifowania zawiera substancje szkodliwe, takie jak cząsteczki starej farby, lakieru, powłok itp. należy usuwać go zgodnie z obowiązującymi przepisami.

**OSTRZEŻENIE:** Dla optymalnej wydajności usuwania pyłu należy opróżniać worek na pył, gdy będzie on napełniony nieco ponad połowę objętości.

**Uwaga:** Należy zawsze DOKŁADNIE czyścić urządzenie w przypadku przejścia od szlifowania drewna do szlifowania metalu i odwrotnie.

## Kontrola rutynowa

- Regularnie sprawdzaj, czy wszystkie śruby mocujące są odpowiednio dokręcone. Wibracje mogą powodować ich poluzowanie.
- Sprawdź przewód zasilania narzędzia przed każdym użyciem pod kątem uszkodzeń lub zużycia. Naprawy powinny być przeprowadzane przez autoryzowany punkt serwisowy Triton. Dotyczy to również przedłużaczy stosowanych przy urządzeniu.

## Czyszczenie

- Należy zawsze dbać o czystość urządzenia. Brud i kurz powodują szybsze zużycie elementów wewnętrznych i skracają okres eksploatacji urządzenia. Należy czyścić korpus frezarki miękką szcztotką lub suchą ścierką. Jeśli to możliwe, przedmuchać otwory wentylacyjne czystym sprężonym powietrzem
- Należy czyścić korpus urządzenia miękką szcztotką lub suchą ścierką z delikatnym detergencem. Nie używaj alkoholu, benzyny, bądź innych silnych środków myjących
- Nigdy nie używaj silnych środków żrących do czyszczenia plastikowych elementów

## Smarowanie

- Należy regularnie smarować wszystkie ruchome części urządzenia niewielką ilością środka smarnego w sprayu.

## Szcztotki

- Szcztotki węglowe wewnątrz silnika mogą ulec zużyciu z biegiem czasu
- Nadmierne zużycie szcztotek może powodować utratę mocy, sporadyczne awarie lub widoczne iskrenie
- Jeśli podejrzewasz nadmierne zużycie szcztotek, przekaż urządzenie do autoryzowanego punktu serwisowego w celu ich wymiany.

## Wymiana szcztotek

**OSTRZEŻENIE:** Upewnij się, że szlifierka taśmowa jest wyłączona, zaś główny przewód jest odłączony od zasilania, przed wymianą szcztotek.

1. Zlokalizuj wentylowaną osłonę silnika (12) na szlifierce taśmowej oraz dwa wkręty przy osłonie szcztotek (13)
2. Zdejmij osłonę szcztotek przy pomocy wkrętaka z płaską końcówką oraz same szcztotki
3. Należy zwrócić uwagę na wycięcia w końcówkach szcztotek, które są na równi z otworami na osłonach, umieść nowe szcztotki wewnątrz, po czym przykręć osłonę

**Uwaga:** Zakładanie nowych szcztotek może się odbywać pojedynczo, jednakże zaleca się wymianę obu szcztotek jednocześnie.

4. Po wymianie szcztotek, podłącz szlifierkę do zasilania. Uruchoń urządzenie, aby sprawdzić, czy wymiana została poprawnie przeprowadzona
5. W przypadku braku mocy, należy spróbować ponownie zaczynając od kroku 1. W przypadku braku reakcji po drugiej próbie, należy zasięgnąć porady w Centrum serwisowym Triton

## Wymiana paska napędowego

**Uwaga:** W skład zestawu szlifierki wchodził zapasowy pasek napędowy. Dodatkowe części zamienne są dostępne u dystrybutorów narzędzi Triton lub na stronie internetowej [toolsparsonline.com](https://toolsparsonline.com).

1. Za pomocą śrubokrętu krzyżakowego wykręć śrubę mocującą pokrywę paska napędowego (5)
2. Zdejmij zużyty pasek z dolnego, większego krążka klinowego i wyjmij go z urządzenia
3. Usuń wszelki pył i odłamki
4. Załóż nowy pas na górne koło klinowe i nasuń go na większe, dolne koło klinowe, a następnie obracaj go, tak, aby odpowiednio wsunął się on w rowki obu krążków
5. Ponownie zamocuj pokrywę paska napędowego za pomocą śruby i śrubokrętu krzyżakowego.
6. Przetestuj szlifierkę na wolnych obrotach. Jeśli pas został poprawnie zamontowany, jest od razu gotowy do użycia

## Przechowywanie

Należy przechowywać narzędzie w bezpiecznym, suchym miejscu niedostępnym dla dzieci.

## Utylizacja

Należy zawsze przestrzegać przepisów krajowych dotyczących utylizacji elektronarzędzi, które nie są już funkcjonalne i nie nadają się do naprawy.

- Nie wyrzucaj elektronarzędzi lub innych odpadów elektrycznych i elektronicznych (WEEE) wraz z odpadami komunalnymi.
- Skontaktuj się z władzami lokalnymi zajmującymi się utylizacją odpadów, aby uzyskać informacje na temat prawidłowego sposobu utylizacji elektronarzędzi

## Rozwiązywanie problemów

Problem	Możliwa przyczyna	Rozwiązanie
Brak reakcji po wciśnięciu spustu on/off (10)	Brak zasilania	Sprawdź zasilanie
	Uszkodzony przycisk On/Off	Wymień przycisk On/Off w autoryzowanym serwisie Triton
Szlifierka przesuwana na bok podczas pracy	Nieprawidłowo wyśrodkowana taśma szlifierska	Dopasuj taśmę za pomocą pokrętki regulacji pasa (7) w celu wyśrodkowania taśmy. Jeśli problem się utrzymuje, ponownie zamontuj taśmę zgodnie z instrukcją 'Mocowanie pasa szlifierskiego'
	Luźna taśma szlifierska	Upewnij się, że dźwignia napinania pasa (15) jest bezpiecznie zamknięta. Jeżeli problem się utrzymuje ponownie zamontuj taśmę zgodnie z instrukcją 'Mocowanie pasa szlifierskiego'
Taśma szlifierska pracuje pomimo nie dotknięcia włącznika On/Off	Aktywowany przycisk blokady włącznika w pozycji On (9)	Aby zatrzymać maszynę, należy wcisnąć i zwolnić przycisk on/off

## Gwarancja

W celu rejestracji gwarancji odwiedź naszą stronę internetową [tritoneertools.com](http://tritoneertools.com)\* i podaj odpowiednie dane.

Dane zostaną dodane do naszej listy wysyłkowej (chyba, że wskazano inaczej) w celu przesyłania informacji dotyczących przyszłych produktów. Dostarczone dane nie zostaną udostępnione osobom trzecim.

## Protokół zakupu

Data zakupu: \_\_\_/\_\_\_/\_\_\_

Model: T41200BS Należy zachować paragon jako dowód zakupu

## Deklaracja Zgodności WE

Niżej podpisany: Mr Darrell Morris

upoważniony przez: Triton Tools

Oświadczam, że:

Powyższa deklaracja została wydana na wyłączną odpowiedzialność producenta. Opisany powyżej przedmiot deklaracji jest zgodny z właściwymi przepisami Unijnego prawodawstwa harmonizacyjnego

**Kod identyfikacyjny:** T41200BS

**Opis:** Szlifierka taśmowa 1200 W

Produkt jest zgodny z następującymi dyrektywami oraz normami:

- Dyrektywa maszynowa 2006/42/EC
- Dyrektywa kompatybilności elektromagnetycznej 2014/30/EC
- Dyrektywa RoHS 2011/65/EU
- EN60745-1:2009+A11:2010
- EN60745-2-4:2009+A11:2011
- EN55014-1:2006+A1:2009+A2:2011
- EN55014-2:1997+A1:2001+A2:2008
- EN61000-3-2:2014
- EN61000-3-3:2013

Precyzyjne Elektronarzędzia Triton gwarantują nabywcy tego produktu pewność, iż w razie usterki bądź uszkodzenia z powodu wad materiałowych lub jakości wykonania, w ciągu 3 lat od daty zakupu, firma Triton naprawi bądź według własnego uznania bezpłatnie wymieni uszkodzoną część.

Powyższa gwarancja nie pokrywa szkód spowodowanych naturalnym zużyciem, nieprawidłowym użytkowaniem, nieprzestrzeganiem zaleceń obsługi, wypadkami lub wykorzystaniem urządzenia do celów komercyjnych.

\* Zarejestruj swój produkt w ciągu 30 dni od daty zakupu.

Obowiązują zasady i warunki użytkowania.

Powyższe postanowienia nie mają wpływu na prawa ustawowe klienta.


**Jednostka notyfikowana:** TÜV Rheinland Co., Ltd.

**Dokumentacja techniczna produktu**

znajduje się w posiadaniu: Triton Tools

**Data:** 04/07/2016

**Podpis:**



Darrell Morris

Dyrektor Naczelny

**Nazwa i adres producenta:**

Powerbox International Limited, zarejestrowany pod numerem 06897059.

Adres rejestracyjny firmy : Powerbox, Boundary Way, Lufton Trading Estate,

Yeovil, Somerset, BA22 8HZ, United Kingdom.

# Перевод исходных инструкций

## Введение

Благодарим за выбор инструмента Triton. В этом руководстве содержится информация, необходимая для безопасной и эффективной эксплуатации изделия. Данное изделие отличается некоторыми уникальными особенностями, и даже если вы уже знакомы с аналогичными изделиями, важно внимательно прочитать это руководство и понять содержащиеся в нем инструкции. Убедитесь, что каждый пользователь инструмента ознакомился с руководством и понял его.

## Символы и обозначения

На паспортную табличку инструмента могут быть нанесены символы. Они предоставляют важную информацию об изделии или инструкции по его эксплуатации.



Пользоваться средствами защиты органов слуха  
Пользоваться средствами защиты органов зрения  
Пользоваться средствами защиты органов дыхания  
Пользоваться средствами защиты головы



Пользоваться средствами защиты рук



Прочитайте руководство



БЕРЕЧЬ от дождя и влаги!



**ВНИМАНИЕ!** Движущиеся детали: опасность раздавливания и порезов.



Конструкция класса II (двойная изоляция для дополнительной защиты)



**Охрана окружающей среды** Утилизация электротехнических изделий с бытовым мусором запрещена. Такие изделия сдают в пункты утилизации, имеющие специальное оборудование. За рекомендациями по утилизации обращайтесь в местные органы власти или к дилеру.



Соответствует применимым законодательным актам и нормам безопасности.



Осторожно!



Ядовитые пары или газы!

## Технические характеристики

<b>B</b>	Напряжение (В)
<b>~</b>	Переменный ток
<b>A</b>	Ампер
<b>n<sub>0</sub></b>	Частота вращения без нагрузки
<b>Гц</b>	Герц
<b>Вт, кВт</b>	Ватт, киловатт
<b>/мин или мин<sup>-1</sup></b>	(обороты или возвратно-поступательные движения) в минуту

## Символы и обозначения

<b>№ модели: модели:модели:</b>	T41200BS
<b>Напряжение:</b>	220-240 В перем. тока, 50/60 Гц
<b>Длина электрического кабеля:</b>	2,6 м
<b>Входная мощность:</b>	1200 Вт
<b>Частота вращения колеса:</b>	2500 об/мин
<b>Скорость ленты без нагрузки:</b>	200–400 м/мин
<b>Класс защиты:</b>	
<b>Степень защиты оболочки:</b>	IP20
<b>Площадь рабочей части:</b>	100 x 156 мм
<b>Размеры шлифовальной ленты:</b>	100 x 610 мм
<b>Габаритные размеры шлифовальной машинки (Д x Ш x В):</b>	410 x 181 x 181 мм
<b>Масса:</b>	6 кг
<b>Информация по шуму и вибрации:</b>	
<b>Уровень звука излучения L<sub>вк</sub>:</b>	95,4 дБ(А)
<b>Корректированный уровень звуковой мощности L<sub>вдв</sub>:</b>	106,4 дБ(А)
<b>Погрешность K:</b>	3 дБ
<b>Взвешенное вибрационное ускорение ah (главная рукоятка):</b>	4,92 м/с <sup>2</sup>
<b>Взвешенное вибрационное ускорение ah (передняя рукоятка):</b>	6,70 м/с <sup>2</sup>
<b>Погрешность K:</b>	1,5 м/с <sup>2</sup>
<b>Уровень звука, воздействующего на оператора, может превышать 85 дБ(А). Использование средств защиты органов слуха обязательно.</b>	

Ввиду того, что продукция постоянно совершенствуется, технические характеристики изделий Triton могут изменяться без уведомления.

**ВНИМАНИЕ!** Если уровень звука превышает 85 дБ(А), то обязательно пользуйтесь средствами защиты органов слуха. При необходимости ограничьте продолжительность работы. Если шум вызывает дискомфорт даже при использовании средств защиты, незамедлительно выключите инструмент и убедитесь, что защита надета правильно, а ее звукоизолирующие характеристики соответствуют уровню звука, вырабатываемого инструментом.

**ВНИМАНИЕ!** Воздействие вибрации инструмента на человека может вызывать потерю чувствительности, онемение, покалывание и снижение способности удерживать предметы. Продолжительное воздействие чревато развитием хронических заболеваний. При необходимости ограничьте продолжительность работы и пользуйтесь антивибрационными перчатками. Не работайте в ручном режиме, если температура ниже комфортного уровня. в таких условиях вибрация оказывает более выраженное воздействие на организм. Продолжительность и периодичность работы с инструментом можно рассчитать по значениям, которые приведены в разделе «Технические характеристики».

Указанные в характеристиках уровни звука и вибраций получены в соответствии с EN60745 или аналогичными международными стандартами. Значения справедливы для инструмента в нормальном рабочем состоянии, эксплуатируемого в нормальных условиях. Нарушение регламента обслуживания, порядка сборки или эксплуатации инструмента может явиться причиной повышения уровня звука и вибраций. На сайте [www.osha.europa.eu](http://www.osha.europa.eu) представлена информация по уровням звука и вибраций на рабочем месте, которая может оказаться полезной для пользователей, работающих с инструментом в бытовых условиях в течение продолжительного времени.

# Общие правила техники безопасности

**ВНИМАНИЕ!** Ознакомьтесь со всеми предупреждениями и инструкциями. Пренебрежение предупреждениями и инструкциями может привести к повреждению электрическим током, пожаром и/или серьезными травмами.

**ВНИМАНИЕ!** Эксплуатация прибора детьми, лицами с ограниченными физическими или умственными возможностями и лицами, не имеющими достаточного опыта или знаний, разрешается только при условии, что они будут находиться под пристальным ответственным за их безопасность или получат от него необходимые инструкции по работе с прибором. Не оставляйте детей без присмотра и не позволяйте им играть с прибором.

Сохраните все предупреждения и инструкции на будущее.

В разделе, посвященном технике безопасности, термин «электроинструмент» относится как к проводным (работающим от сети), так и к беспроводным (работающим от аккумулятора) инструментам.

## 1) Безопасность на рабочем месте

- a) Следите за чистотой и освещенностью рабочего места. Беспорядок или недостаток освещения повышают вероятность несчастного случая.
- b) Не работайте с электроинструментом во взрывоопасной атмосфере (например, в присутствии воспламеняющихся жидкостей, газов или пыли). Электроинструмент выделяет искры, которые могут воспламенить пыль или пары.
- в) Во время работы с электроинструментом не позволяйте детям и посторонним лицам приближаться к вам. Они будут отвлекать ваше внимание, и вы можете потерять управление.

## 2) Электробезопасность

- a) Вилки электроинструмента должны соответствовать розеткам. Категорически запрещается вносить какие-либо изменения в конструкцию вилки. Не разрешается подключать заземленный электроинструмент к сети через переходники. Применение стандартных вилки и соответствующих им розеток снижает риск поражения электрическим током.
- b) Не касайтесь заземленных предметов: трубопроводов, радиаторов, электрических плит и холодильников. Если ваше тело заземлено, то риск поражения электрическим током увеличивается.
- в) Берегите электроинструмент от дождя и влаги. Попадание воды внутрь электроинструмента увеличивает риск поражения электрическим током.
- г) Не допускайте повреждения электрического шнура. Запрещается переносить, тянуть или отключать электроинструмент от сети за шнур. Берегите шнур от нагрева, контакта с маслом, острыми кромками или движущимися деталями. Поврежденный или запутанный шнур увеличивает риск поражения электрическим током.
- д) При работе с электроинструментом вне помещения пользуйтесь удлинителем, пригодным для эксплуатации в таких условиях. Применение удлинителя, пригодного для эксплуатации вне помещения, снижает риск поражения электрическим током.
- e) Если работа во влажных условиях неизбежна, то электроинструмент следует подключать к источнику питания, снабженному устройством защитного отключения (УЗО). Применение УЗО снижает риск поражения электрическим током.

## 3) Личная безопасность

- a) Будьте внимательны, следите за тем, что делаете и руководствуйтесь здравым смыслом при работе с электроинструментом. Запрещается пользоваться электроинструментом, если вы устали или находитесь под действием алкоголя, наркотиков или лекарственных препаратов. Даже кратковременное ослабление внимания во время работы чревато тяжелой травмой.
- b) Пользуйтесь средствами индивидуальной защиты. Всегда пользуйтесь средствами защиты органов зрения. Грамотное применение средств защиты (например, респиратора, несвязывающей защитной обуви, каски или средств защиты органов слуха) снижает риск травм.
- в) Не допускайте непреднамеренного включения. Перед тем как подключить инструмент к розетке и/или аккумулятору, поднимать или переносить его убедитесь, что выключатель питания находится в положении «выключено». Если держать палец на выключателе питания при переносе инструмента или зарядке инструмент с включенным выключателем питания, то риск несчастного случая увеличится.
- г) Убирайте регулировочные ключи прежде чем включить электроинструмент. Газовый ключ, присоединенный к вращающейся части электроинструмента, может нанести травмы.

- д) Не тянитесь за пределы комфортной зоны досягаемости. Твердо стойте на ногах и сохраняйте равновесие. Это позволит увереннее контролировать инструмент в неожиданных ситуациях.
  - e) Одевайтесь надлежащим образом. Свободная одежда и украшения не допускаются. Держите волосы, одежду и перчатки подальше от движущихся частей инструмента. Свободную одежду, украшения или длинные волосы может наматывать на движущиеся части.
  - ж) Обязательно пользуйтесь устройствами вытяжки и сбора пыли, если конструкцией предусмотрены соединители для них. Соблюдайте правила их эксплуатации. Такие устройства снижают риски, связанные с пылью
- ## 4) Эксплуатация электроинструмента и уход за ним
- a) Не допускайте перегрузки электроинструмента. Правильно подбирайте инструмент под свои задачи. Грамотно подобранный инструмент будет работать качественнее и безопаснее без превышения номинальной нагрузки.
  - b) Не работайте с электроинструментом, если выключатель питания не включается или не выключается. Любая электроинструмент с неработающим выключателем опасен и подлежит ремонту.
  - в) Отсоединяйте электроинструмент от розетки и/или аккумулятора, прежде чем выполнять настройку, менять оснастку или укладывать его на хранение. Данная мера предосторожности исключает случайный пуск инструмента.
  - г) Храните электроинструмент в местах, недоступных для детей, и не позволяйте работать с ним лицам, не знакомым с электроинструментом или не изучившим данные инструкции. Электроинструмент опасен в неумелых руках.
  - д) Обслуживайте электроинструмент. Следите за тем, чтобы не было бения или задания движущихся частей, сломанных деталей или признаков других неисправностей, способных повлиять на работу электроинструмента. Если инструмент поврежден, то эксплуатацию разрешается возобновить только после ремонта. Причиной многих несчастных случаев становится неудовлетворительное обслуживание электроинструмента.
  - e) Следите за чистотой режущего инструмента и состоянием его режущих кромок. Если режущий инструмент надлежащим образом обслужен, то снижается вероятность защемления и облегчается управление.
  - ж) Соблюдайте эти инструкции при эксплуатации электроинструмента, оснастки и режущего инструмента. Учитывайте условия и особенности предстоящей работы. Использование электроинструмента не по назначению может быть опасным.

## 5) Ремонт

- a) Ремонт электроинструмента должен производить квалифицированным специалистом с использованием идентичных запчастей. Только в этом случае ремонт электроинструмента не скажется на его безопасности отрицательным образом.

# Правила техники безопасности при работе со шлифовальными машинками



**ВНИМАНИЕ!**

- Держите электроинструмент только за изолированные рукоятки или захватные поверхности, так как шлифовальная лента или иной абразивный инструмент может коснуться шнура питания. Надрезание находящегося под напряжением проводника может привести к тому, что неизолированные металлические детали инструмента тоже окажутся под напряжением. Это чревато поражением электрическим током.
  - Крепите заготовку к устойчивой опоре с помощью струбцины или других подходящих средств. Заготовка, удерживаемая рукой или прижимная к телу, недостаточно хорошо зафиксирована и может выйти из-под контроля.
  - Рекомендуется включать инструмент через устройство защитного отключения с номинальным остаточным током 30 мА или меньше.
  - Замена поврежденного электрического шнура (в случае необходимости) должна выполняться производителем, его сервисным представителем или лицами аналогичной квалификации.
- 1) ВСЕГДА пользуйтесь подходящими средствами защиты, включая респиратор с классом защиты не ниже FFP2, средства защиты органов зрения и слуха.
  - 2) Проследите за тем, чтобы все люди, находящиеся вблизи рабочего места, имели подходящие средства индивидуальной защиты.
  - 3) Соблюдайте особую осторожность при обработке некоторых пород дерева (например, бука, дуба, красного дерева и тика): их пыль ядовита и может вызывать тяжелые реакции организма.



- 4) **КАТЕГОРИЧЕСКИ** запрещается обрабатывать материалы, содержащие асбест. Если вы не уверены в том, содержит ли заготовка асбест, проконсультируйтесь с квалифицированным специалистом.
- 5) **ЗАПРЕЩАЕТСЯ** шлифовать заготовки из магния или сплавов, содержащих большое количество магния.
- 6) Помните о том, что на обрабатываемые поверхности могло быть нанесено лакокрасочное или какое-либо другое покрытие. Пыль, производимая при шлифовании таких покрытий, может быть ядовитой (или может представлять какую-либо иную опасность). До 1960 года при строительстве зданий широко применялись краски на свинцовой основе.
- 7) Пыль, производимая при шлифовании таких красок, особенно вредна для детей, беременных женщин и лиц, страдающих гипертонией. **НЕ ПОЗВОЛЯЙТЕ** им находиться рядом с рабочей зоной (вне зависимости от наличия у них средств индивидуальной защиты).
- 8) По возможности пользуйтесь системой вытяжки для удаления пыли и отходов.
- 9) Соблюдайте особую осторожность при обработке дерева и металла одним и тем же инструментом. Искры, возникающие при обработке металла, могут воспалить древесную пыль. Во избежание пожара **ВСЕГДА** тщательно очищайте инструмент.
- 10) Мешок или контейнер для пыли (если имеется) рекомендуется опустошать почаще во время работы, перед перерывами и по завершении шлифования. Некоторые пыли взрывоопасны. **НЕ ДОПУСКАЙТЕ** контакта пыли с открытым пламенем. При контакте частиц масла или воды с пылью может произойти спонтанное возгорание. При утилизации материалов соблюдайте осторожность и требования местных норм и правил.
- 11) Рабочие поверхности и абразивный инструмент сильно нагреваются во время работы. Если возникли признаки перегрева рабочей поверхности (дым или прижоги), остановите обработку и дайте заготовке остыть. Не касайтесь рабочей поверхности и абразивного инструмента до тех пор, пока не пройдет какое-то время, достаточное для их охлаждения.
- 12) **ЗАПРЕЩАЕТСЯ** касаться движущегося абразивного инструмента.
- 13) **ОБЯЗАТЕЛЬНО** отключайте шлифовальную машину перед тем как положить ее.
- 14) **ЗАПРЕЩАЕТСЯ** применять этот инструмент для влажного шлифования. Попадание жидкостей в корпус электродвигателя чревато тяжелым поражением электрическим током!
- 15) Перед заменой абразивного инструмента **ВСЕГДА** отключайте машину от сети. Даже соблюдение всех правил эксплуатации этого инструмента не гарантирует отсутствия остаточных факторов риска. Если у вас возникли сомнения по поводу безопасной эксплуатации этого инструмента – воздержитесь от работы с ним.

## Знакомство с изделием

- Передняя рукоятка
- Задняя рукоятка
- Шнур питания
- Соединение для отвода пыли
- Крышка ременной передачи
- Зажимное отверстие
- Ручка центровки ленты
- Шлифовальная лента
- Кнопка блокировки выключателя
- Курковый выключатель
- Ручка регулировки скорости
- Крышка электродвигателя с вентиляционными отверстиями
- Крышка щеток
- Передний ролик
- Рычаг натяжения ленты
- Ведущий ролик

## Оснастка, поставляемая в комплекте:

- Подкладка для монтажа на верстаке
- Запасные шлифовальные ленты, 2 шт.
- Универсальный зажим, 2 шт.
- Мешок для сбора пыли
- Запасной приводной ремь

## Назначение

Шлифовальная машинка для работ средней и высокой степеней тяжести, связанных с удалением большого объема припуска. Предназначена для обработки мягкой и твердой древесины и подобных материалов.

## Распаковывание инструмента

- Аккуратно распакуйте и осмотрите новый инструмент. Ознакомьтесь со всеми характеристиками и функциями.
- Убедитесь, что все детали инструмента находятся в хорошем состоянии. Если какие-либо детали отсутствуют или повреждены, то эксплуатация инструмента разрешается только после замены таких деталей.

## Перед эксплуатацией

**⚠ ВНИМАНИЕ!** Прежде чем устанавливать или менять какую-либо деталь или выполнять регулировку, отключите инструмент от сети питания.

**Примечание.** Шлифовальная машинка поставляется в собранном виде и полностью готова к работе.

## Присоединение мешка для сбора пыли

- Для удаления пыли рекомендуется подключить инструмент к пылесосу или цеховой системе вытяжки пыли.
- Если система вытяжки отсутствует, пользуйтесь комплектным мешком для пыли (20), который крепится к соединению для отвода пыли (4):
  - Присоедините мешок к штыковому соединению (рисунок А), нажмите и поверните соединитель до фиксации. Убедитесь, что застежка мешка закрыта.
  - Чтобы снять мешок, поверните и снимите соединительную часть. **ВНИМАНИЕ!** Снимите и НЕ используйте мешок для пыли при шлифовании металлических заготовок. Горячие металлические частицы и искры могут воспалить остатки сведенной пыли или сам мешок. При работе с металлом следует пользоваться пылесосом или цеховой системой вытяжки пыли. Перехода от обработки дерева к обработке металла или наоборот, **ВСЕГДА ТЩАТЕЛЬНО** очищайте инструмент.

## Выбор шлифовальной ленты по зернистости

- Дилеры Tipton продают шлифовальные ленты различных типов. Наиболее распространенными являются крупнозернистые (зернистость 40 (P40)), среднезернистые (зернистость 16 (P80 и P100) и мелкозернистые (зернистость 12 (P120)).
- Крупнозернистые ленты применяются для черновой обработки, среднезернистые для промежуточной обработки, а мелкозернистые – для чистовой обработки.
- Определять оптимальную зернистость для каждой конкретной операции рекомендуется путем пробных проходов по бракованному куску материала.
- Чтобы шлифовальная машинка работала максимально эффективно, всегда покупайте только высококачественные ленты.

**Примечание.** После обработки ленточной шлифовальной машинкой можно довести поверхность круглошлифовальной машинкой. Такая операция уменьшит шероховатость, но вместе с тем скроет текстуру древесины. Доводка с помощью круглошлифовальной машинки рекомендуется в тех случаях, когда вы собираетесь окрасить деревянную поверхность, или когда видимость текстуры древесины не имеет значения.

## Установка шлифовальной ленты

**ВНИМАНИЕ!** Осмотр, обслуживание или очистку разрешается начинать только после того, как инструмент будет отключен от источника питания.

- Ослабьте натяжение старой ленты рычагом (15) и снимите ее (рисунок В).
- Осмотрите устанавливаемую ленту: шов должен быть надежным, а кромок не должны быть истрепанными.
- Установите новую ленту на место (рисунок С). Стрелка направления движения на внутренней стороне ленты должна совпадать со стрелкой на боку шлифовальной машинки.
- Натяните ленту, повернув рычаг (рисунок D).
- Подключите шлифовальную машинку к сети питания и, надежно удерживая ее, нажмите курковый выключатель (10) и дайте машинке поработать некоторое время.
- Не выключая инструмент, отрегулируйте ленту с помощью ручки центровки (7) так, чтобы она располагалась симметрично относительно центра ведущего ролика (16). Повторяйте операцию до тех пор, пока лента не встанет в нужное положение (для центровки ленты требуется небольшой поворот ручки). Нажмите выключатель на несколько секунд, чтобы лента выровнялась. Включите шлифовальную машинку и дайте ей поработать около минуты, проверяя центровку ленты. Только после этого можно приступить к обработке заготовки.

**ВНИМАНИЕ!** Эксплуатация шлифовальной машинки с поврежденной или изношенной лентой не допускается.

**ВНИМАНИЕ!** Обработка деревянных и металлических заготовок одной и той же лентой не допускается. Металл засаливает ленту, и его частицы поцарапают деревянную поверхность.



# Эксплуатация

## Включение и выключение

1. Чтобы включить шлифовальную машинку, нажмите и удерживайте курковый выключатель (10).
2. Чтобы отключить инструмент отпустите выключатель.
3. Чтобы шлифовальная машинка не отключалась, включите ее курковым выключателем и нажмите кнопку блокировки выключателя (9) (рисунок Е). Курковый выключатель будет зафиксирован в положении «включено».
4. Чтобы отключить машинку нажмите курковый выключатель (кнопка блокировки вернется в исходное положение со щелчком), затем отпустите его.

## Регулировка частоты вращения

- Инструмент допускает регулировку частоты вращения в зависимости от обрабатываемого материала.
- Требуемая скорость выставляется ручкой регулировки (11) (рисунок F).

**Примечание.** Низшая настройка ручки регулировки («1») соответствует скорости 200 м/мин, а высшая («7») – 400 м/мин.

## Шлифование

**ВНИМАНИЕ!** При работе с этим инструментом пользуйтесь средствами защиты глаз, подходящим респиратором, средствами защиты органов слуха и защитными перчатками.

**Примечание.** По возможности ВСЕГДА крепите заготовку к верстаку струбцинами.

**ВНИМАНИЕ!** Запрещается применять эту шлифовальную машинку для обработки деталей из магния.

**Примечание.** Следите за тем, чтобы лента всегда была в хорошем состоянии.

1. Подключите инструмент к сети питания.
2. Нажмите курковый выключатель (10). Перед тем как опускать инструмент на заготовку, дайте ленте разогреться до нужной скорости.
3. Если нужно, чтобы машинка не отключалась, нажмите кнопку блокировки выключателя (9).
4. Опустите инструмент на заготовку и слегка надавите на него.
5. Шлифуйте вдоль волокон, выполняя параллельные проходы с частичным наложением (рисунок G).
6. Для удаления краски или шлифования очень неровных деревянных заготовок выполните проходы в двух направлениях под углом 45° попеременно, после чего выполните чистовые проходы вдоль волокон.
7. Перед тем как выключать инструмент, поднимите его с заготовки.
8. Помните о необходимости держать руки подальше от шлифовальной ленты, так как она будет продолжать двигаться некоторое время после отключения инструмента.

**Примечание.** Чтобы пыль удалалась эффективнее, вытряхивайте ее из мешка (20), когда он заполнится наполовину (или раньше).

**ВНИМАНИЕ!** Не используйте мешок для пыли при шлифовании металлических заготовок. Горячие частицы металла могут воспламенить остатки древесной пыли или сам мешок. Шлифовальную машинку можно подключить к пылесосу или цеховой системе вытяжки пыли. Для этого используется специальный переходник, который устанавливается в соединение для отвода пыли (4).

**Применение** струбцин для установки инструмента в перевернутом положении

- Набор специальных струбцин (10) позволяет устанавливать ленточную шлифовальную машинку Triton в перевернутом положении (рисунок Н). Шлифовальную машинку разрешается эксплуатировать в перевернутом положении только при условии, что она надежно закреплена на подходящей конструкции с жесткой и плоской установочной поверхностью.

1. Переверните инструмент и установите его на жесткую и плоскую установочную поверхность. Нижняя сторона установочной поверхности должна быть плоской. Кроме того, основания струбцин должны заходить на нее достаточно далеко.
2. Вставьте струбцины в ответные отверстия инструмента до упора. Убедитесь, что вертикальная резьбовая часть каждой струбцины доведена до края установочной поверхности.
3. Надежно закрепите шлифовальную машинку на установочной поверхности, затянув гайки-барашки.
4. Присоедините мешок для пыли (20) или подходящую систему вытяжки.
5. Включите шлифовальную машинку и нажмите кнопку блокировки выключателя (9), чтобы машинка не отключилась.
6. Во время работы следите за тем, чтобы шлифовальная лента оставалась хорошо закрепленной и не перекашивалась. При необходимости отключайте машинку и закрепляйте ленту надежнее.

**ВНИМАНИЕ!** Эксплуатация шлифовальной машинки в перевернутом состоянии разрешается ТОЛЬКО в том случае, если она надежно закреплена на установочной поверхности.

**Примечание.** Во время крепления шлифовальной машинки используйте подкладку для монтажа на верстаке (17), чтобы защитить рабочую поверхность от повреждений и предотвратить смещение машинки.

## Оснастка

- Дилеры Triton предлагают полный ассортимент оснастки и шлифовальных лент различной зернистости. Запчасти можно заказывать на сайте [toolsparesonline.com](http://toolsparesonline.com).

## Техническое обслуживание

**ВНИМАНИЕ!** Осмотр, обслуживание или очистку разрешается начинать только после того, как инструмент будет отключен от источника питания.

## Удаление пыли из мешка (если установлен)

**ВНИМАНИЕ!** Перед тем как отсоединять мешок для сбора пыли (20) систему удаления пыли, всегда отключайте инструмент и выключайте его из розетки.

1. Чтобы снять мешок, поверните и снимите соединительную часть (рисунок А).
2. Откройте мешок, удалите содержимое и установите его обратно (смотрите раздел «Присоединение мешка для сбора пыли»).

**Примечание.** Если шлифовальная пыль содержит вредные вещества (частицы старой краски, лака, покрытия и т.д.), то ее утилизация должна выполняться в соответствии с нормами и стандартами.

**Примечание.** Чтобы пыль удалалась эффективнее, вытряхивайте ее из мешка, когда он заполнится наполовину (или раньше).

**Примечание.** Перехода от обработки дерева к обработке металла или наоборот, всегда ТЩАТЕЛЬНО очищайте инструмент.

## Общий осмотр

- Регулярно проверяйте затяжку всех крепежных винтов. Со временем затяжка может ослабевать из-за вибрации.
- Перед каждым использованием инструмента осматривайте шнур питания на предмет повреждений или износа. Ремонтные операции должны проводиться только официальным сервисным центром Triton. Эта рекомендация распространяется и на шнуры-удлинители, используемые с инструментом: всегда проверяйте их на предмет повреждений и при необходимости сдавайте на ремонт производителю (если это возможно).

## Очистка

- Всегда держите инструмент в чистоте. Пыль и грязь ускоряют износ внутренних деталей и сокращают срок службы инструмента. Для чистки корпуса используйте мягкую щетку или сухую тряпку. По возможности рекомендуется продувать вентиляционные отверстия сухим и чистым сжатым воздухом.
- Очищайте корпус инструмента мягкой влажной тряпкой с мягким чистящим средством. Не используйте спирты, бензин и сильные чистящие средства.
- Запрещается использовать щелочные вещества для очистки пластиковых деталей.

## Смазка

- Регулярно смазывайте все движущиеся детали подходящей распыляемой смазкой.

## Щетки

- Со временем угольные щетки внутри электродвигателя изнашиваются.
- Если щетки изношены слишком сильно, то возможна потеря мощности, прерывистая работа электродвигателя или видимое искрение.
- Если возникли признаки износа щеток, замените обе щетки сразу.

## Замена щеток

**ВНИМАНИЕ!** Перед заменой щеток отключите ленточную шлифовальную машинку и отсоедините шнур питания от розетки.

1. Найдите крышку электродвигателя (12) и две резьбовые крышки щеток (13).
2. Выкрутите крышки щеток отверткой с плоским жалом и извлеките щетки.
3. На концах щеток есть пазы, которые должны совмещаться с ответным элементом в отверстиях крышек. Вставьте новые щетки и вкрутите крышки на место.

**Примечание.** Допускается устанавливать по одной щетке за раз, однако лучше менять обе щетки сразу.

- После замены щеток подключите машинку к сети питания и включите ее. Дайте машинке поработать и убедитесь, что замена прошла успешно.
- Если питание отсутствует, повторите действия, начиная с шага 1. Если после второй попытки установки щеток питание не появилось, обратитесь к обслуживающему персоналу Triton.

## Замена приводного ремня

**Примечание.** В комплекте со шлифовальной машинкой поставляется запасной приводной ремень. Ремни и другие запчасти можно купить у дилера Triton или заказать на сайте [toolsparesonline.com](http://toolsparesonline.com).

- Выкрутите винты крепления крышки ременной передачи (5) с помощью отвертки с крестообразным шлицем.
- Снятые изношенный ремень с нижней части большого шкива и уберите его.
- Удалите всю пыль и грязь.
- Наденьте новый ремень на верхний шкив и наживите его на нижний шкив. Затем прокрутите шкивы так, чтобы ремень зашел на свое место – в ручьи каждого шкива.

5. Установите крышку ременной передачи на место и надежно закрепите ее винтами.

- Проверьте работу шлифовальной машинки на низкой скорости. Если лента установлена правильно, то машинка готова к эксплуатации.

## Хранение

- Инструмент должен храниться в надежном, сухом и недоступном для детей месте.

## Утилизация

Утилизация неработающего и не подлежащего ремонту электроинструмента должна выполняться в строгом соответствии с государственными нормативами.

- Запрещается утилизировать электроинструмент или иной лом электрического и электронного оборудования с бытовым мусором.
- Обратитесь в местное управление по утилизации отходов за информацией о правильных методах утилизации электроинструмента.

## Поиск и устранение неисправностей

Неисправность	Возможная причина	Метод устранения
Не срабатывает выключатель (10).	Отсутствует питание.	Проверьте источник питания.
	Неисправен выключатель питания.	Сдайте инструмент в официальный сервисный центр Triton на замену выключателя.
Машинку ведет в сторону во время работы.	Лента не отцентрована.	Отрегулируйте ленту ручкой центровки (7). Если проблему устранить не удастся, переустановите ленту в соответствии с инструкциями из раздела «Установка шлифовальной ленты».
	Лента ослабла.	Зафиксируйте рычаг натяжения ленты (15). Если проблему устранить не удастся, переустановите ленту в соответствии с инструкциями из раздела «Установка шлифовальной ленты».
Машинка работает, даже если выключатель не нажат.	Активирована кнопка блокировки выключателя (9).	Чтобы остановить машинку, нажмите и отпустите курковый выключатель.

## Декларация соответствия СЕ

Нижеподписавшийся: Господин Дэррел Моррис  
(Darrell Morris)

уполномоченный компанией: Triton Tools

### Заявляет, что:

Настоящая декларация была выпущена под единоличную ответственность производителя.

Объект настоящей декларации отвечает требованиям соответствующих норм унификации Евросоюза.

Идентификационный код: T41200BS

Описание: Ленточная шлифовальная машинка 1200 Вт

Соответствует следующим директивам и стандартам:

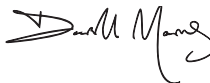
- Директива по машинам 2006/42/EC
- Директива по электромагнитной совместимости 2014/30/EC
- Директива об ограничении использования вредных веществ 2011/65/EU
- EN60745-1:2009+A11:2010
- EN60745-2-4:2009+A11:2011
- EN55014-1:2006+A1:2009+A2:2011
- EN55014-2:1997+A1:2001+A2:2008
- EN61000-3-2:2014
- EN61000-3-3:2013

Уполномоченный орган: TÜV Rheinland Co., Ltd.

Владелец технической документации: Triton Tools

Дата: 04/07/2016

Подпись:



Господин Дэррел Моррис (Darrell Morris)

Директор

Название и адрес производителя:

Powerbox International Limited, Company No. 06897059. Юридический адрес: Powerbox, Boundary Way, Lufton Trading Estate, Yeovil, Somerset, BA22 8HZ, United Kingdom (Великобритания).

# Az eredeti utasítások fordítása

## Bevezetés

Köszönjük, hogy megvásárolta ezt a Triton szerszámot! A jelen útmutató a termék biztonságos és hatékony üzemeltetéséhez szükséges információkat tartalmazza. Ez a termék egyedi tulajdonságokkal rendelkezik, és még ha Ön ismeri is a hasonló termékeket, mindenképpen alaposan olvassa el ezt az útmutatót, hogy megértse a benne levő utasításokat. Ügyeljen arra, hogy a szerszámot használó minden személy elolvassa és teljesen megértse ezeket az utasításokat.

## A szimbólumok leírása

A készülék adattábláján jelölések találhatók. Ezek fontos információkat tartalmaznak a termékről vagy annak használatáról.



Viseljen fülvédőt.  
Viseljen védőszemüveget.  
Viseljen védőmaszkot.  
Viseljen fejtűdőt.



Viseljen védőkesztyűt.



Olvassa el a kezelési útmutatót.



Ne használja esőben vagy nedves környezetben!



**FIGYELEM:** A mozgó alkatrészek zúzódasos és vágott sérüléseket okozhatnak.



II. érintésvédelmi osztály (kettős szigetelés a nagyobb védettség érdekében)



**Környezetvédelem** A leselejtezett elektromos termékeket nem szabad a háztartási hulladékba dobni. Kérjük, vigye el a megfelelő újrafelhasználási helyre, ha létezik ilyen. Keresse meg a helyileg illetékes hatóságokat vagy a forgalmazót az újrafelhasználásra vonatkozó tanácsokért.



A készülék megfelel a vonatkozó jogszabályoknak és biztonsági szabványoknak.



Vigyázat!



Mérgező gőzök vagy gázok!

## Műszaki rövidítések

V	Volt
~	Váltakozó feszültség
A	Amper
n <sub>0</sub>	Üresjáratú fordulatszám:
Hz	Hertz
W, kW	Watt, kilowatt
/perc v. min <sup>-1</sup>	Fordulat vagy löketek percenkénti száma

## Műszaki adatok

Típuszám:	T41200BS
Feszültség:	220–240 V, 50/60 Hz
Tápkábel hosszúsága:	2,6 m
Felvett teljesítmény:	1200 W
Kerék fordulatszáma:	2500 1/perc
Csiszolózsalag üresjáratú sebessége:	200–400 m/perc
Védettségi osztály:	□
IP-besorolás:	IP20
Csiszolási terület:	100 x 156 mm
Csiszolózsalag mérete:	100 x 610 mm
Szalagcsiszoló méretei (H x Sz x M):	410 x 181 x 181 mm
Tömeg:	6 kg
Zajra és rezgésre vonatkozó adatok:	
Hangnyomás szintje, L <sub>PA</sub> :	95,4 dB(A)
Hangteljesítmény, L <sub>WA</sub> :	106,4 dB(A)
Tűrés, K:	3 dB
Súlyozott vibráció, a <sub>h</sub> (fő markolaton):	4,92 m/s <sup>2</sup>
Súlyozott vibráció, a <sub>h</sub> (fő markolaton):	6,7 m/s <sup>2</sup>
Tűrés, K:	1,5 m/s <sup>2</sup>
A kezelő számára a zajszint meghaladhatja a 85 dB(A) értéket, és szükséges lehet a hallásvédő eszközök alkalmazása.	

A folyamatos termékfejlesztés részeként a Triton termékek műszaki adatai értesítés nélkül megváltozhatnak.

**FIGYELEM:** Mindig viseljen hallásvédő eszközt, ha a zajszint meghaladja a 85 dB(A) értéket, és korlátozza a zajnak való kitettség időtartamát, amennyiben szükséges. Ha a zajszint még fülvédővel is kényelmetlen, azonnal hagyja abba a szerszám használatát, és ellenőrizze, hogy a fülvédő megfelelően illeszkedik-e, és biztosítja-e a szerszám által keltett hangszint megfelelő csökkentését.

**FIGYELEM:** A szerszám vibrációja a felhasználónál a tapintásérzék elvesztését, zsibbadást, bizsergő érzést és csökkent fogási készséget eredményezhet. A hosszú távú kitettség krónikus betegséget okozhat. Szükség esetén korlátozza a rezgésnek kitettség időtartamát, és használjon rezgésálló kesztyűt. Ne használja a szerszámot csupasz kézzel a normál, kellemes hőmérséklet alatt, mivel ekkor a rezgésnek erősebb lesz a hatása. A műszaki adatokban megadott vibrációs számadatokból kiszámítható a szerszám használatának időtartama és gyakorisága.

A műszaki adatokban megadott hang- és vibrációs szintek az EN60745 vagy hasonló nemzetközi szabványoknak megfelelően vannak meghatározva. A számadatok a szerszám szokásos működési körülmények között történő normál használatát jelzik. A rosszul karbantartott, rosszul összeszerelt, vagy nem megfelelő módon használt szerszámmal a zajszint és a rezgésszint megegyezhet. A [osha.europa.eu](http://osha.europa.eu) weboldal tájékoztatást nyújt a munkahelyi hang- és vibrációs szintekről. Ez hasznos lehet az otthoni felhasználók számára, akik a szerszámokat hosszú időn át használják.

# Általános munkavédelmi tudnivalók

**FIGYELEM!** Olvassa el az összes munkavédelmi figyelmeztetést és utasítást. Amennyiben nem veszi figyelembe a figyelmeztetéseket, és nem tartja be az utasításokat, súlyos sérülés következhet be.

**FIGYELEM:** Ezt a készüléket nem használhatja csakként fizikai vagy értelmi képességekkel rendelkező személyek (beleértve ebbe a gyermekeket is), vagy tapasztalat és ismeretek nélkül rendelkezze emeltek, hacsak nem állnak a biztonságukért felelős személy felügyelete alatt, illetve nem követik annak utasításait. A gyermekeket felügyelet alatt kell tartani, hogy ne játszanak a készülékkel.

Önizzen meg minden figyelmeztetést és utasítást a későbbi tájékozódás érdekében. A figyelmeztetéseken említett „szerszámogép” kifejezés az összes alábbi figyelmeztetés esetén az elektromos hálózatról üzemelő (vezetékes) szerszámogép és az akkumulátorral üzemelő (vezeték nélküli) szerszámogépre is vonatkozik.

## 1) Munkaterület biztonsága

- Tartsa tisztán és jól megvilágítva a munkaterületet.** A rendezetlen és sötét területek vonzzák a baleseteket.
- Nem közdössze az elektromos kéziszerszámokat robbanásveszélyes folyadékok, gázok vagy por jelenlétében.** Az elektromos kéziszerszámok szikrákat bocsátanak ki, amelyek meggyújtják a port vagy a gázokat.
- Az elektromos kéziszerszám használata közben a gyermekeket és a környezetben tartózkodókat tartsa távol!** A figyelemelvonás miatt elvesztheti ellenőrzését a munka felett.

## 2) Elektromos biztonság

- A szerszám csatlakozódugója illeszkedjen az aljzathoz!** Soha, semmilyen módon ne alakítsa át a dugaszt. *Semmilyen csatlakozódaptert ne használjon védővezetékkel ellátott „földelt” szerszámogéphez. A nem módosított, és az aljzatba illeszkedő csatlakozódugók csökkentik az áramütés veszélyét.*
- Kerülje a fizikai érintkezést földelt vagy testelt felületekkel (pl. csövek, radiátorok, tűzhelyek, hűtőszekrények).** Nő az áramütés veszélye, ha a felhasznált teste földelve van.
- Ne tgye ki a szerszámogépeket esőnek vagy vízes környezetnek. A szerszámogépbe kerülő víz növeli az áramütés kockázatát.**
- Ne sérts meg a tápkábelt.** Soha ne vigye, húzza vagy távolítsa el az aljzatót a szerszámogépet a vezetéknel fogva. A kábelt tartsa távol a hőforrásoktól, olajtól, éles peremektől vagy mozgó alkatrészekről. A megrongálódott vagy összekuszálódott kábelek növelik az áramütés veszélyét.
- Ha az elektromos kéziszerszámot kültéri környezetben használja, használjon a kültérben alkalmazható hosszabbító kábelt.** A kültéri alkalmazásra megfelelő hosszabbító használata csökkenti az áramütés veszélyét.
- Ha az elektromos kéziszerszám nedves környezetben történő működtetése elkerülhetetlen, használjon lekapcsoló áramvédő eszközt (RCD) védett áramforrást.** A FI-relé használata csökkenti az áramütés veszélyét.

## 3) Személyi biztonság

- Legyen figyelmes, ügyeljen arra, amit tesz, és őrizze meg a józan ítélőképességét az elektromos kéziszerszám működtetése közben.** Ne használja az elektromos kéziszerszámot, ha fáradt, vagy amennyiben kábítószerek, alkohol vagy gyógyszer hatása alatt áll. Az elektromos kéziszerszám működtetése során előforduló pillanatnyi figyelmenlenség súlyos személyi sérülést eredményezhet.
- Használjon személyi védőfelszerelést. Mindig használjon védőszemüveget.** Az adott körülményekre alkalmazott olyan biztonsági felszerelések, mint például porvédő maszk, csúszásmentes biztonsági lábbeli vagy fülvédő csökkenti a személyi sérülések veszélyét.
- Kerülje el a véletlenszerű elindítást.** Az áramforráshoz és/vagy az akkumulátorhoz történő csatlakoztatás előtt, vagy az eszköz felemelésekor vagy szállításakor, győződjön meg róla, hogy a BE/KI kapcsoló az OFF (KI) helyzetben van-e. *Baleset forrása lehet, ha a szerszámogépet úgy szállítja, hogy közben az újrat a BE/KI kapcsolón tartja, vagy áram alá helyezi a szerszámogépet úgy, hogy a kapcsolója bekapcsol (ON) helyzetben van.*
- Az elektromos kéziszerszám bekapcsolása előtt távolítsa el minden beállítókulcsot vagy fogót.** Az elektromos kéziszerszám valamely mozgó alkatrészén hagyott villáskulcs vagy állítókulcs személyi sérülést okozhat.
- Kerülje a rendellenes testtartást. Mindig biztosan álljon a lábán, és őrizze meg az egyensúlyát.** Ez az elektromos kéziszerszám biztosabb irányítását teszi lehetővé áráltalan helyzetekben.
- Öltözzen megfelelően.** Ne viseljen bő ruhákat vagy ékszereket. A haját, a ruháját és a kesztyűjét tartsa távol a mozgó alkatrészekről. A bő ruhák, ékszerek vagy a hosszú haj beleakadhatnak a mozgó alkatrészekbe.
- Ha rendelkezésre állnak a porelszívó készülékek és a gyűjtőtartályok, győződjön meg róla, hogy csatlakoztatták és megfelelően használják őket.** Ezeknek a készülékeknek a használata csökkenti a porral járó veszélyeket.

## 4) Az elektromos kéziszerszám használata és karbantartása

- Ne erőltesse az elektromos kéziszerszámot. A célnak megfelelő elektromos kéziszerszámot használja.** A megfelelő elektromos kéziszerszám jobban és biztonságosabban végzi el azt a feladatot, amelyre tervezték.
- Az elektromos kéziszerszámot ne használja akkor, ha a BE/KI kapcsoló nem működik megfelelően (nem kapcsolja ki vagy be a készüléket).** A BE/KI kapcsolójával nem vezérelhető elektromos kéziszerszám veszélyes, ezért meg kell javíttatni.
- Húzza ki a csatlakozót a tápforrásból, és/vagy vegye ki az akkumulátort az elektromos kéziszerszámából, mielőtt bármilyen beállítást vagy tartozékszerőt hajtana létre, illetve eltávolítsa a szerszámot.** Az ehhez hasonló megelőző intézkedések csökkentik a véletlenszerű bekapcsolás kockázatát.
- A használaton kívüli elektromos kéziszerszámot tartsa távol a gyermekektől, és ne engedje, hogy a szerszám használatát vagy a jelen kézikönyvet nem ismerő személy működtesse az elektromos kéziszerszámot.** Az elektromos kéziszerszámok veszélyesek lehetnek a gyakorlatilag nem rendelkező felhasználók kezében.
- Tartsa karban az elektromos kéziszerszámot.** Ellenőrizze, hogy a mozgó alkatrészek illészkedése és beállítása megfelelő-e, nincs-e rajtuk meghibásodott elem, vagy nem áll-e fenn olyan körülmény, amely hatással lehet az elektromos kéziszerszám működésére. *Használat előtt javítsa meg az elektromos kéziszerszámot, amennyiben az sérült. A nem megfelelően karbantartott elektromos kéziszerszámok sok balesetet okoznak.*
- A vágóeszközöket tartsa élesen és tisztán.** A megfelelően karbantartott, éles vágóeszközök rendelkező kéziszerszámoknál kevésbé valószínű a beszorulás, és a szerszám irányítása is könnyebb.
- Az elektromos kéziszerszámokat, a kiegészítőket, a betétekeket stb. a jelen utasításoknak megfelelően használja, figyelembe véve a munkakörülményeket és a végrehajtandó munkát.** Az elektromos kéziszerszám rendeltetéstől eltérő használata veszélyes helyzetet okozhat.

## 5) Szerviz

- Az elektromos kéziszerszám szerelését bizza szakképzett szerelőre, aki az eredetivel megegyező alkatrészekkel végzeze a javítást.** Ez biztosítja az elektromos kéziszerszám biztonságos működésének fenntartását.

# A csiszológépre vonatkozó munkavédelmi figyelmeztetések



- Az elektromos szerszámot kizárólag a szigetelt markolatainál fogja meg, mivel a csiszolószalag/lap véletlenül hozzérhét a saját tápkábeléhez.** A feszültség alatt álló vezetékek elvágsza miatt a szerszám nem alkatrészei is áram alá kerülhetnek, és a kezelőt áramütés érheti.
- Használjon pillanatsszorító vagy más eszközt a munkadarab stabil felülethez való rögzítéséhez.** A munkadarab kézben tartása vagy az emberi testhez szorítása instabilitást eredményez, és az uralom elvesztéséhez vezethet.
- Javasoljuk, hogy az áramellátást mindig érintésvédelmi, áramvédő kapcsolón (FI-relé) keresztül biztosítsa, amelynek az érzékenysége nem haladhatja meg a 30 mA értéket.**
- Ha a tápkábel cseréje szükséges, a kockázatot elkerülése végett azt a gyártónak vagy a szervizképviseletnek kell elvégeznie.**
- MINDIG használjon megfelelő védőfelszerelést, ideértve a védőszemüveget és fülvédőt, valamint egy legalább FFP2 besoroláú porvédő maszkot.**
- Ügyeljen arra, hogy a munkaterület közelében tartózkodó többi személy is megfelelő személyi védőfelszereléssel legyen ellátva.**
- Bizonyos fafajták esetében különösen óvatosan járjon el (ügyint bükk, tölgy, mahagóni és tölgy), mivel a megmunkáltsukkor képződött por mérgező, és szélésősséges tüneteket válthat ki.**
- SOHA ne munkáljon meg azbeszt tartalmú anyagot.** *Forduljon szakemberhez, ha nem biztos abban, hogy egy anyag tartalmaz-e azbesztet.*
- NE csiszoljon magnéziumot vagy magas magnéziumtartalmú ötvözetet.**
- Vegye figyelembe a csiszolandó tárgyon levő esetleges festéket vagy felületkezelést.** Számos olyan kezelt felület létezik, mely az egészségre nem ártalmatlan, azonban a csiszoláskor a keletkező por mérgező. *Ha 1960 előtt építelt épületben dolgozik, nagy eséllyel találkozhat ólomtartalmú festékekkel.*
- g. Az ólomtartalmú festékek csiszolásakor keletkezett por különösen veszélyes a gyermekekre, terhes anyákra és a magas vérnyomásban szenvedő emberekre. Ne engedje a felsorolt személyeket a munkaterület közelébe, még akkor sem, ha megfelelő személyi védőfelszereléssel viselnek.**
- h. Amikor lehetséges, használjon porelszívó rendszert a por és hulladék mennyiségének szabályozására.**

- i. Különösen körültekintően járjon el, ha a gépet fa és fém csiszolására is használja. A fémegmunkálás szikrák könnyen meggyújthatják a fa lerakódott porát. A gépet MINDIG alaposan tisztítsa meg a tűzveszély csökkentése érdekében.
- j. A használat során rendszeresen ürítse a porzsákat vagy -tartályt (ha van), mielőtt szünetelteti vagy befejezi a csiszolást. A por robbanásveszélyes helyzetet idézhet elő. A csiszolás során keletkező port NE dobja nyílt tűzbe. Spontán robbanás következhet be, ha a porreszcsekké olajjal vagy vízzel érintkeznek. A hulladékok gondosan, a helyi hulladékhasznosítási előírásokat figyelembe véve dobja ki.
- k. Használat közben a megmunkálás alatt álló felület és a csiszolópapír erősen felforrósodhat. Ha égés jeleit (füstöt vagy hamut) észlel a megmunkálás alatt álló felületen, hagyja abba a munkavégzést, és várja meg, hogy az anyag lehűljön. NE érintse meg a munkafelületet vagy a csiszolópapírt, amíg azok le nem hűltek.
- l. NE érintse meg a mozgó csiszolópapírt.
- m. MINDIG kapcsolja ki a csiszológépet, mielőtt letenné.
- n. NE használja nedves csiszolóshoz. A motorháza jutó foyadéksúlyos áramütéshez vezethet.
- o. A csiszolópapír cseréje vagy felszerelése előtt MINDIG húzza ki a gépet az elektromos hálózati aljzathoz. Szabályszerű használat esetén sem lehetséges kivédeni az összes fennmaradó kockázati tényezőt. Ha nem bizonyos benne, hogy a szerszám biztonságosan használható, akkor ne használja a szerszámot.

## A termék ismertetése

1. Előlső markolat
2. Hátsó fogantyú
3. Hálózati kábel
4. Porelvezető cszok
5. Hajtótűz fedél
6. Rögzítő furata
7. Központosító gomb
8. Csiszólószalag
9. Reteszelő gomb
10. Be/Ki ravaszkapcsoló
11. Fordulatszám-szabályzó tárcsa
12. Motorburkolat szellőzőnyílásokkal
13. Szénkefe fedél
14. Elülső szalagvezető görgő
15. Szalagfeszítő kar
16. Hajtógörgő

### Mellékelt tartozékok:

17. Védőszőnyeg munkapadra szereléshez
18. 2 db tartalék csiszólószalag
19. 2 db csavaros szorító megfordításhoz
20. Porgyűjtő zsák
21. Tartalék hajtótűz

## Rendeltetésszerű használat

Közepes és erős igénybevételhez készült szalagcsiszoló nagy mennyiségű anyag eltávolítására. Puhá- és keményfánál, valamint hasonló anyagoknál használható.

## A szerszám kicsomagolása

- Összes csomagolja ki és ellenőrizze a szerszámot. Ismerkedjen meg az óvatos kezeléssel és funkcióival.
- Ellenőrizze, hogy a szerszám minden alkatrésze a helyén van és jó állapotú-e. Ha bármelyik alkatrész hiányzik vagy sérült, cseréltesse ki, mielőtt használni kezdi a szerszámot.

## Használat előtt

**FIGYELEM:** Bármely tartozék felszerelése vagy cseréje, valamint beállítások elvégzése előtt mindig húzza ki a szerszám dugvilláját a hálózati aljzathoz.

**Megjegyzés:** A csiszológép teljesen összeszerelt állapotban kerül leszállításra. Azonnal használható a dobozából való kivétel után.

## A porzsák csatlakoztatása

- A megfelelő porszíváshoz javasoljuk, hogy csatlakoztasson a szerszámhoz egy porszívót vagy üzemi poreszívó rendszert.
  - Ha nem áll rendelkezésre poreszívó eszköz, akkor szerelje fel a mellékelt porzsákat (20) a porkivezető nyílásra (4)
1. A bajonett csatlakozót nyomja rá a porzsákra („A” kép), és zárodásig forgassa el. Úgyjeljen arra, hogy a porzsák villázmáza be legyen zárva.
  2. A porzsák eltávolításához forgassa kifelé, hogy a bajonettzárát kioldja, majd húzza le a zsákat.

**FIGYELEM:** Fém csiszolásakor szerelje le, és NE HASZNÁLJA a porzsákat. A forró fémrészecskék és a szikrák meggyújthatják a porzsákban maradt faport vagy a porzsákat. Fém csiszolásakor mindig porszívóhoz vagy üzemi poreszívó rendszerhez csatlakoztassa a csiszológépet. Mindig ALAPOSAN tisztítsa meg a gépet, ha fa csiszolásáról fém csiszolására vált, vagy fordítva.

## A megfelelő szemcseméretű csiszólószalag kiválasztása

- Különböző szemcseméretű csiszólószalagok vásárolhatóak az Ön Triton forgalmazójánál. A jellemző szemcseméretet az alábbiak: Durva (40-es szemcseméret), közepes (80-as és 100-as szemcseméret) és finom (120-as szemcseméret).
- A durva szemcseméretű szalaggal végezze a nagyoló csiszolást, a közepessel simítsa tovább a felületet, majd a finom mérettel fejezze be a műveletet.
- Végezzen egy hulladék anyagon próbát az adott feladattal való legmegfelelőbb szemcseméretű csiszólószalag megválasztásához.
- Mindig jó minőségű csiszólószalagot vásároljon, hogy teljesen kiaknázhassa csiszológépe képességeit.

**Megjegyzés:** A szalagcsiszolóval való csiszolás után excentercsiszoló alkalmazása javasolt a finomabb vélegyes felület eléréséhez. Azonban ez a művelet a faerezet részletgazdagságának eltűnéséhez vezet. Excentercsiszolóval való további csiszolás javasolt, ha a fa felületet festeni szeretné, vagy ha nem szükséges megtartani a faerezet láthatóságát.

## A csiszólószalag felszerelése

**FIGYELEM:** Mindig válassza le a gépet a hálózati feszültségről, mielőtt bármilyen ellenőrzési, karbantartási vagy tisztítási műveletet végez.

1. A szalag megfeszítettségének megszüntetéséhez húzza meg a szalagfeszítő kart (15), majd csúsztassa le a régi csiszólószalagot („B” kép).
2. Ellenőrizze, hogy a felhelyezendő csiszólószalag végtelenítése megfelelő-e, és a széléinél nem rojtoltódzott-e ki.
3. Úgy csúsztassa az új csiszólószalagot a helyére („C” kép), hogy a belső oldalon található nyíl ugyanabba az irányba mutasson, mint a gépen a forgásirányt jelző nyíl.
4. A szalag megfeszítéséhez nyomja be a szalagfeszítő kart („D” kép).
5. Csatlakoztassa javasolt a csiszológépet a hálózati feszültséghez, és a gépet erősen tartva húzza meg a Be/Ki ravaszkapcsolót (10), majd egy rövid ideig hagyja forogni a csiszólószalagot.
6. A szalag forgása közben a központosító gomb (7) elforgatásával addig állítsa a csiszólószalagot, míg az a hajtógörgő (16) közepén nem fut. A beállítást addig finomítsa, míg a szalag központossága megfelelő nem lesz (a szalag oldalirányú mozgatásához a gomb kismértékű elforgatása szükséges), majd húzza meg a be/ki ravaszkapcsolót néhány másodpercre, hogy a szalag központosan beállhasson. A munkadarabon való használat előtt körülbelül egy percig járassa a gépet, hogy megbizonyosodjon a szalag központosságáról.

**FIGYELEM:** Kopott vagy sérült csiszólószalagot ne folytassa a munkát.

**FIGYELEM:** Fa és fém csiszolásához a használati utasítást a csiszólószalagot. A fém részecskék beágyazódhatnak a szalagba, és megkarcolhatják a fa felületét.

## Használat

### Be- és kikapcsolás

1. A csiszológép elindításához húzza meg és tartsa meghúzva a Be/ki ravaszkapcsolót (10).
2. A csiszológép leállításához engedje fel a Be/Ki ravaszkapcsolót.
3. A csiszológép folyamatos működéséhez tartsa meghúzva a Be/ki kapcsolót, és nyomja meg a reteszelő gombot (9) („E” kép), hogy így a Be/Ki kapcsoló BE helyzetben maradjon.
4. A reteszelő gomb kioldásához húzza meg a Be/ki kapcsolót, majd engedje el a Be/Ki kapcsolót a szalagcsiszoló leállításához.

### A fordulatszám beállítása

- A fordulatszámot a csiszolandó munkadarab anyagához lehet beállítani.
- A fordulatszám beállításához állítsa a fordulatszám-szabályzó tárcsát (11) a megfelelő fordulatszámra („F” kép).

**Megjegyzés:** Amikor a sebességbeállító görgetőgombot az „1” legalacsonyabb értékre állítja, a sebesség 200 m/perc; amikor a sebességbeállító görgetőgombot az „7” legmagasabb értékre állítja, a sebesség 400 m/perc.

### Csiszolás

**FIGYELEM:** Mindig viseljen védőszemüveget, megfelelő pormaszkot, fülvédőt és munkavédelmi kesztyűt, amikor a géppel dolgozik.

**Megjegyzés:** Lehetőse szerint mindig használjon csavaros szorító a munkadarab munkaszálthoz rögzítéséhez.

**FIGYELEM:** Ne használja a csiszológépet magnézium csiszolására.

**Megjegyzés:** Mindig ellenőrizze, hogy a csiszólószalag jó állapotban van-e.

- Csatlakoztassa a szerszámgépet a hálózati aljzathoz.
- Húzza meg a Be/ki kapcsolót (10), és várja meg, hogy a csiszolószalag elérje a megfelelő sebességet, mielőtt a szalagot a munkadarab felületéhez érinti.
- A folyamatos működéshez nyomja meg a reteszelő gombot (9).
- Engedje a gépet a munkadarab felületére, és finoman nyomja rá.
- A csiszolást az ezrelet párhuzamosan, egymást átfedő löketekkel végezze („G” kép).
- Festék eltávolításához vagy nagyon durva felületű faanyag simításához az ezretele névze 45°-os szögben, két irányból végezze a csiszolást, majd a kézmunkálást az ezrelet párhuzamosan végezze.
- Emelje el a csiszológépet a munkadarabtól a kikapcsolás előtt.
- Ügyeljen arra, hogy tartsa távol a kezét a mozgó csiszolószalagtól, mivel az a gép kikapcsolása után még egy ideig forog.

**Megjegyzés:** Az optimális poreltávolítás érdekében ürítse ki a porzsákokat (20), mielőtt az félig megtelne.

**FIGYELEM:** Fém csiszolásokor ne használja a porzsákokat. A forró fém részecskék meggyújthatják a porzsákban maradt faport vagy magát a porzsákokat. A háztartási porszívót vagy üzemi porelszívó rendszert a porszívó-csatlakozóval lehet a csiszológéphez csatlakoztatni. A csatlakozóelem beilleszt a porkivezető nyílásba (4).

## A csavaros szorítókészlet használata

- A csavaros szorítókészlet (19) lehetővé teszi a Triton szalagcsiszoló fejlele fordított használatát („H” kép). A csiszológépet kizárólag akkor szabad fejlele felele fordított helyzetben használni, ha szilárdan le van rögzítve egy megfelelően stabil, sík felülettel rendelkező munkaszalathoz.
- Fordítsa fejlele felele a gépet, és helyezze egy szilárd, sík munkafelületre. Ellenőrizze, hogy az alja sík-e, és elegendő hely áll-e rendelkezésre a csavaros szorító alapja hosszúságának számára.
- Teljesen helyezze be a csavaros szorítókat a csiszológép rögzítési pontjába. Ügyeljen arra, hogy a csavaros szorító függőleges, menetes részre hosszafeszüljön a munkafelület széléhez.
- Ugy húzza meg a szárnys anyákat, hogy a csiszológép szilárdan rögzüljön a munkafelülethez.
- Csatlakoztassa a porzsákokat (20) vagy a megfelelő porelszívó rendszert.
- Kapcsolja be a csiszológépet, és a reteszelő gombbal (9) biztosítsa a gép folyamatos működését.
- Működés közben ellenőrizze, hogy a csiszolószalag szilárdan van-e rögzítve a szerszáma, és hogy egyenesen fut-e. Amennyiben szükséges, kapcsolja ki a csiszológépet, majd illessze fel újra a gépre.

**FIGYELEM:** NE HASZNÁLJA a csiszológépet, ha az lazán van rögzítve a munkafelülethez.

**Megjegyzés:** A szalagcsiszoló lerögzítése közben helyezze a gép alá a védőszőnyeg (17), hogy megóvja a munkafelületet a sérüléstől, valamint megakadályozza a csiszológép elmozdulását.

## Tartozékok

- A Triton forgalmazóknál a különböző szemcseméretű csiszolószalagok és tartozékok teljes választéka megtalálható. Az alkatrészek a toolsparonline.com weboldalon találhatóak meg.

## Karbantartás

**FIGYELEM:** Mindig válassza le a gépet a hálózati feszültségről, mielőtt bármilyen ellenőrzési, karbantartási vagy tisztítási műveletet végez.

### A porzsák ürítése (ha van)

**FIGYELEM:** A gépet mindig kapcsolja KI, és dugaszát húzza ki a hálózati aljzathból, mielőtt a porzsákok (20) vagy porelszívó rendszert leválasztja róla.

- A porzsák eltávolításához forgassa kifelé, hogy a bajonettzárát kioldja, majd húzza le a zsákok („A” kép).
- Nyissa ki a porzsák cipzárját, ürítse ki, majd szerelje vissza a helyére (lásd „A porzsák csatlakoztatása” című szakaszt).

**Megjegyzés:** Ha a csiszolás pora egészségre ártalmas anyagokat tartalmaz, például régi festés, lakkozás, felületi bevonat stb. darabkákat, azt mindig a törvényi előírások szerint dobja hulladékba.

**Megjegyzés:** Az optimális poreltávolítás érdekében ürítse ki a porzsákokat, mielőtt az félig megtelne.

**Megjegyzés:** Mindig ALAPOSAN tisztítsa meg a gépet, ha fa csiszolásáról fém csiszolására vált, vagy fordítva.

### Általános átvizsgálás

- Rendszeresen ellenőrizze, hogy minden rögzítőcsavar kellően meg van-húzva. Ezek a rezgés hatására idővel fellazulhatnak.
- Minden egyes használat előtt ellenőrizze, hogy a hálózati kábel nem sérült vagy kopott-e. A javítást egy hivatalos Triton szervizben kell elvégeztetni. Ez a tanács a szerszámmal használt hosszabbító kábelre is érvényes; mindig ellenőrizze, hogy nem kopott vagy sérült-e, és ha lehetséges, javításért forduljon a termék gyártójához.

## Tisztítás

- Tartsa a szerszámgépet mindig tisztán. Szennyeződés és por hatására a belső alkatrészek kopása gyorsabb lesz, és lerövidül a gép élettartama. Tisztítsa meg a gép testét egy puha kefével vagy száraz ronggyal. Ha lehetséges, használjon tisztá, száraz, sürtített levegőt a szellőzőnyílások áttüveléséhez.
- A szerszám burkolatát enyhe tisztítószerral és nedves ruhával törölje tisztára. Ne használjon alkoholt, benzint vagy erős tisztítószert.
- A műanyag részek tisztításához soha ne használjon maró anyagot.

## Kenés

- Megfelelő kenő aeroszollal rendszeres időközönként finoman kenje meg az összes mozgó alkatrészt.

## Szénkéfek

- Idővel a motorban levő szénkéfek elkophatnak.
- A túlzottan kopott szénkéfek teljesítménycsökkenést, szakaszos működést vagy látható szikrázást okozhatnak.
- Amennyiben úgy gondolja, hogy a szénkéfek kopottak lehetnek, mindkettőt egyszerre cserélje ki.

### A szénkéfek cseréje:

**FIGYELEM:** A szénkéfek cseréje előtt mindig kapcsolja ki a gépet, és húzza ki a dugaszát a konnektorból.

- Keresse meg a szalagcsiszolóval a szellőzőnyílással rendelkező motorburkolatot (12) és a két becsavarható szénkefe fedelet (13).
- Lapos csavarhúzóval távolítsa el a szénkefe fedeletek, majd vegye ki a két szénkefét.
- Ügyeljen a szénkéfés végeken található rovatákra, melyek egyenesbe állítják a szénkefét a fedél alatt levő nyílásba való beszereléskor, majd csavarozza vissza a szénkefe fedelet.

- Megjegyzés:** A szénkefe cseréjét javasolt mindkét oldalon egyszerre elvégezni.
- Miután mindkét szénkefét kicserélte, csatlakoztassa a gép dugvilláját a konnektorból, majd kapcsolja be. Járássa a gépet annak ellenőrzésére, hogy a csere megfelelően sikerült-e.
  - Amennyiben nincs tápfeszültség, próbálkozzon újra az 1. lépéssel. Ha a szénkéfek beszerelésének második kísérlete után sincs tápfeszültség, keresse fel a Triton szervizt.

### A hajtószíj cseréje

**Megjegyzés:** A csiszológép tartalék hajtószíjjal együtt kerül forgalomba. További cserealkatrészek és tartozékok szerezhetőek be a Triton forgalmazóknál vagy a toolsparonline.com weboldalon.

- Egy Phillips csavarhúzóval távolítsa el a hajtószíj burkolatát tartó csavarokat (5).
- A kopott szíjat az eltávolításhoz lazítsa meg az alsó, nagy hajtótárcsán, majd emelje le.
- Takarítsa le az összes port és szennyeződést (ha van).
- Helyezze az új hajtószíjat a felső hajtótárcsára, és nyomja a nagyobb szíjtárcsára, majd addig forgassa a szíjat, míg mindkét szíjtárcsára fel nem kap, és bele nem fekszik azok hornyába.
- Tegye vissza a hajtószíjfedeleket, majd húzza meg szorosan a három rögzítőcsavart.
- Tesztelje a szalagcsiszolót alacsony fordulatszámon. Amennyiben a felhelyezés megfelelő, a szalagcsiszoló működésre kényszerítse.

### Tárolás

- Tárolja ezt a szerszámot körültekintően, egy biztonságos, száraz, gyermekek által nem elérhető helyen.

## Leselejtesés

A már nem működőképes és javíthatatlan elektromos kéziszerszámok ártalmatlanítása során mindig tartsa be a nemzeti előírásokat.

- Ne dobja ki a leselejtezett elektromos kéziszerszámot vagy egyéb elektromos és elektronikus berendezést (WEEE) a háztartási hulladékkal együtt.
- Forduljon a helyi hulladékezelési hatósághoz, hogy tájékozódjon a szerszámok ártalmatlanításának megfelelő módjáról.

## Hibaelhárítás

Hibajelenség	Lehetséges ok	Megoldás
A gép nem reagál a Be/Ki ravaszkapcsoló (10) működtetésére	Nincs tápfeszültség.	Ellenőrizze a tápfeszültséget.
	Hibás Be/ki ravaszkapcsoló	A hibás Be/ki ravaszkapcsolót hivatalos Triton szervizben cseréltesse ki.
A csiszoló működés közben oldalra húz.	A csiszolószalag nem központosan áll.	A csiszolószalag központosító gombját (7) forgassa el a szalag egyenes futásának beállítására. Amennyiben a hiba továbbra is fennáll, szerelje fel újból a szalagot a „Csiszolószalag felszerelése” c. szakasz utasításainak megfelelően.
	Laza a csiszolószalag.	Ellenőrizze, hogy a szalagfeszítő kioldó karja (15) megfelelően zárt állapotú-e. Amennyiben a hiba továbbra is fennáll, szerelje fel újból a szalagot a „Csiszolószalag felszerelése” c. szakasz utasításainak megfelelően.
A szalagcsiszoló a Be/ki ravaszkapcsoló megérintése ellenére működik.	A reteszelő gomb (9) aktiválódott.	A gép leállításához húzza meg, majd engedje el a Be/Ki ravaszkapcsolót.



## Jótállás

A jótállás regisztrálásához látogassa meg webhelyünket a tritontools.com\* címen, és adja meg adatait. Adatai bekerülnek a levelezési listánkba (kivéve, ha ezt másképpen adja meg), és tájékoztatjuk a későbbi kiadásokról. A megadott adatokat nem bocsátjuk harmadik fél rendelkezésére.

## Vásárlási nyilvántartás

Vásárlás dátuma: \_\_\_/\_\_\_/\_\_\_

Típus: T41200BS Őrizzze meg a vásárlást igazoló nyugtát.

## EK Megfelelőségi nyilatkozat

Alulírott: Mr Darrell Morris

meghatalmazva az alábbi által: Triton Tools

Kijelentem, hogy az alábbi Ezt a nyilatkozatot a gyártó kizárólag a saját felelősségére bocsátotta ki. A nyilatkozat tárgya megfelel az Európai Unió idevonatkozó harmonizációs törvényeinek.

Azonosító kód: T41200BS

Leírás: 1200 W-os szalagcsiszoló

kielégíti az alább felsorolt irányelvek és szabványok előírásait:

- 2006/42/EC gépészeti irányelv
- 2014/30/EC EMC irányelv
- 2011/65/EU RoHS irányelv
- EN60745-1:2009+A11:2010
- EN60745-2-4:2009+A11:2011
- EN55014-1:2006+A1:2009+A2:2011
- EN55014-2:1997+A1:2001+A2:2008
- EN61000-3-2:2014
- EN61000-3-3:2013

A Triton Precíziós Szerszámgépek garantálják vásárlóinak, hogy bármely alkatrész anyaghibából vagy gyártási hibából, a vásárlás időpontjától számított 3 éven belül bekövetkezett meghibásodása esetén, a Triton ingyenesen megjavítja - vagy alapos megfontolás esetén kicseréli – a hibás alkatrészt.

Ez a garancia nem vonatkozik ipari jellegű használatra, továbbá általános jellegű kopásra, illetve a termék nem rendeltetésszerű használatából eredő meghibásodására.

\*Regisztráljon az interneten 30 napon belül.

Feltételek és kikötések vonatkoznak.

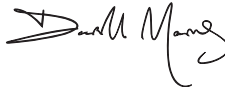
Nincs hatással a törvényben meghatározott jogaira.

Tanúsító testület: TÜV Rheinland Co., Ltd.

A műszaki dokumentációt tárolja: Triton Tools

Dátum: 04/07/2016

Dátum:



Mr Darrell Morris

Igazgató

A gyártó neve és címe:

Powerbox International Limited, Company No. 06897059.

Registered address: Powerbox, Boundary Way, Lufton Trading Estate, Yeovil, Somerset, BA22 8HZ, United Kingdom.

# Preklad originálního návodu

## Úvod

Děkujeme za zakoupení výrobku Triton. Tento návod obsahuje nezbytné informace pro bezpečné používání a správnou funkci tohoto výrobku. Tento výrobek nabízí mnoho jedinečných funkcí. Je možné, že jste již s podobným výrobkem pracovali; přesto si důkladně přečtěte tento návod, abyste rozuměli pokynům. Ujistěte se, že všichni, kdo s výrobkem pracují, tento návod četli a porozuměli mu.

## Použité symboly

Typový štítek na vašem nářadí může obsahovat symboly. Ty představují důležité informace o výrobku nebo pokyny k jeho použití.



Používejte chrániče sluchu  
Používejte ochranné brýle  
Používejte respirátory  
Používejte ochrannou přilbu



Používejte ochranné rukavice



Přečtěte si návod



Nepoužívejte při dešti nebo ve vlhkém prostředí!



**VAROVÁNÍ:** Pohybující se části mohou způsobit rozdrčení nebo fyzické poranění!



Třída ochrany II (dvojitá izolace pro vyšší ochranu)



### OCHRANA ŽIVOTNÍHO PROSTŘEDÍ

Nevyhazujte elektronářadí do domovního odpadu. Zařízení odevzdejte k recyklaci. V případě dotazů kontaktujte příslušný úřad nebo prodejce.



V souladu s příslušnou legislativou a bezpečnostními standardy.



Pozor!



Nebezpečné výpary nebo plyny!

## Technická data

Model č.:	T41200BS
Napětí:	230 V–240 V, 50 Hz <TBC>
Délka přívodního kabelu:	2,6 m
Příkon:	1200 W
Otáčky kola:	2500 otáček/minutu
Rychlost pásu naprázdno:	200–400 m/min <sup>1</sup>
Třída ochrany:	
IP krytí:	IP20
Brusná plocha:	100 x 156 mm
Velikost brusného pásu:	100 x 610 mm
Rozměry brusného pásu (D x Š x V)	410 x 181 x 181 mm
Informace o hluku a vibracích:	
Akustický tlak L <sub>pk</sub> :	95,4 dB(A)
Akustický výkon L <sub>wa</sub> :	106,4 dB(A)
Tolerance K:	3 dB
Vážené vibrace a <sub>h</sub> (hlavní rukojeť):	4,92 m/s <sup>2</sup>
Vážené vibrace a <sub>h</sub> (přední rukojeť):	6,70 m/s <sup>2</sup>
Tolerance K:	1,5 m/s <sup>2</sup>
<b>Pokud úroveň hluku dle použití elektronářadí překročí 85 dB(A), je třeba přijmout ochranná hluková opatření.</b>	

Vzhledem k nepřetržitému vývoji výrobků Triton se technická data našich výrobků mohou měnit bez ohlášení.

**VAROVÁNÍ:** Pokud hladina hluku přesáhne 85 dB(A), vždy noste chrániče sluchu a omezte dobu práce s elektronářadím. Pokud se hladina hluku stane nepřijemnou, i s chrániči sluchu, ihned přestaňte nářadí používat. Zkontrolujte, zda máte chrániče sluchu správně připevněné, aby mohly poskytovat potřebné snížení hladiny hluku, které elektronářadí vydává.

**VAROVÁNÍ:** Vystavení se vibracím elektronářadí může způsobit ztrátu vnímání dotyku, necitlivost rukou, mravenčení a/nebo omezenou schopnost úchopu. Dlouhodobé vystavení vibracím může obtížně změnit v chronický stav. Pokud je třeba, omezte čas, kdy jste vibracím vystaveni a používejte anti-vibrační rukavice. Elektronářadí nepoužívejte v prostředí s nižší než pokojovou teplotou, protože vibrace mohou mít větší efekt. Využijte hodnot uvedených v technických datech, abyste určili vhodnou délku práce a frekvenci práce s elektronářadím.

Úroveň hluku a vibrací byla změněna podle měřících metod normovaných v EN60745, příp. podobných mezinárodních standardů. Naměřené hodnoty odpovídají běžnému užití elektronářadí v běžných pracovních podmínkách. Špatně udržované, nesprávně složené nebo špatně používané nářadí může vytvářet vyšší hladiny hluku i vibrací. [osha.europa.eu](http://osha.europa.eu) nabízí informace o úrovni hluku a vibrací v pracovním prostředí, tyto informace mohou být užitečné pro hobby uživatele, kteří používají přístroj častěji.

## Tabulka technických zkratk

V	volty
~	střídavý proud
A	ampér
n <sub>o</sub>	otáčky naprázdno
Hz	hertz
W, kW	watt, kilowatt
/min or min <sup>-1</sup>	operace za minutu

# Bezpečnostní opatření

## UPOZORNĚNÍ: Přečtěte si všechna bezpečnostní varování a instrukce.

Neuposlechnutí následujících varování může způsobit úraz elektrickým proudem, požár a/nebo vážné poranění.

**UPOZORNĚNÍ:** Tento přístroj nesmí být používán osobami (včetně dětí) s tělesným nebo mentálním poškozením. Dále ho nesmí používat osoby s minimem zkušeností nebo znalostí.

Uchovávejte všechna varování a instrukce pro budoucí použití.

Výrazem "elektronáďadí" zmiňovaným v bezpečnostních opatřeních se rozumí zařízení používané v elektrické síti (se síťovým kabelem) anebo zařízení, které využívá bateriový pohon (bez síťového kabelu).

### 1. Bezpečnost pracovního místa

- Udržujte pracovní místo čisté a dobře osvětlené. Nepořádek nebo neosvětlené pracovní místo může vést k úrazům.
- Nepoužívejte elektronáďadí v prostředí ohroženém explozí, kde se nacházejí hořlavé kapaliny, plyny nebo prach. Elektronáďadí vytváří jiskry, které mohou prach nebo páry zapálit.
- Děti a jiné přihlížející osoby udržujte při použití elektronáďadí daleko od pracovního místa. Při rozptýlení můžete ztratit kontrolu nad přístrojem.

### 2. Bezpečná práce s elektrinou

- Připojování zástrčky elektronáďadí musí odpovídat zásuvce. Zástrčka nesmí být žádným způsobem upravená. Společně s elektronáďadím s ochranným uzemněním nepoužívejte žádné adaptérové zástrčky. Neupravené zástrčky a vhodné zásuvky snižují pravděpodobnost úrazu elektrickým proudem.
- Vyhýnejte se tělesnému kontaktu s uzemněnými povrchy jako je potrubí, topná tělesa, sporáky a chladničky. Je-li vaše tělo uzemněno, hrozí zvýšené riziko úrazu elektrickým proudem.
- Chraňte zařízení před deštěm a vlhkem. Vniknutí vody do elektronáďadí zvyšuje nebezpečí úrazu elektrickým proudem.
- Dbejte na účel kabelu, nepoužívejte jej k nošení či zavěšení elektronáďadí nebo k vytáhnutí zástrčky ze zásuvky. Udržujte kabel daleko od tepla, oleje, ostrých hran nebo pohyblivých dílů stroje. Poškozené nebo spletené kabely zvyšují riziko zášahu elektrickým proudem.
- Pokud pracujete s elektronáďadím venku, použijte pouze takové prodlužovací kabely, které jsou způsobilé i pro venkovní použití. Použití prodlužovacího kabelu, jež je vhodný pro použití venku, snižuje riziko zášahu elektrickým proudem.
- Pokud se nelze vyhnout provozu elektronáďadí ve vlhkém prostředí, použijte proudový chránič. Použití proudového chráničce snižuje riziko zášahu elektrickým proudem.

### 3. Osobní bezpečnost

- Buďte pozorní, dávejte pozor na to, co děláte, a přistupujte k práci s elektronáďadím rozumně. Nepoužívejte žádné elektronáďadí, pokud jste unaveni nebo pod vlivem drogy, alkoholu nebo léků. Moment nepozornosti při použití elektronáďadí může vést k vážným poraněním.
- Noste osobní ochranné pomůcky a vždy ochranné brýle. Nošení osobních ochranných pomůcek jako je maska proti prachu, bezpečnostní obuv s protiskluzovou podrážkou, ochranná přilba nebo sluchátka, podle druhu použití elektronáďadí, snižují riziko poranění.
- Zabraňte neúmyslnému uvedení do provozu. Přesvědčte se, že je elektronáďadí vypnuté, dříve, než jej uchopíte, poneseťe či připojíte na zdroj proudu a/nebo akumulátor. Máte-li při nošení elektronáďadí prst na spínači, nebo pokud stroj připojíte ke zdroji proudu zapnutý, může dojít k úrazům.
- Než elektronáďadí zapnete, odstraňte seřizovací nástroje nebo šroubováky. Nástroj nebo klíč, který se nachází v otáčivém dílu stroje, může vést k poranění.
- Zajistěte si bezpečný postoj a udržujte vždy rovnováhu. Tím můžete elektronáďadí v neočekávaných situacích lépe kontrolovat.
- Noste vhodný oděv. Nenoste žádný volný oděv nebo šperky. Vlasy, oděv a rukavice udržujte daleko od pohybujících se dílů. Volný oděv, šperky nebo dlouhé vlasy mohou být zachyceny pohybujícími se díly.
- Lze-li namontovat odsávací či zachycující přírady, přesvědčte se, že jsou připojeny a správně použity. Použití odsávání prachu může snížit ohrožení prachem.

### 4. Svědomitě zacházení a používání elektronáďadí

- Připravit nástroj. Pro svou práci použijte k tomu určené elektronáďadí. S vhodným elektronáďadím zvládnete práci lépe a bezpečněji.
- Nepoužívejte žádné elektronáďadí, jehož spínač nebo přívodní kabel je vadný. Elektronáďadí, které nelze zapnout či vypnout, je nebezpečné a musí se opravit.
- Než provedete seřízení stroje, výměnu dílů příslušenství nebo stroj odložíte, vytáhnete zástrčku ze zásuvky a/nebo odstraňte akumulátor. Toto preventivní opatření zabrání neúmyslnému zapnutí akumulátora.

- Uchovávejte nepoužívané elektronáďadí mimo dosah dětí. Nenechte stroj používat osobám, které se strojem nejsou seznámeny nebo nečty tyto pokyny. Elektronáďadí je nebezpečné, je-li používáno nezkušenými osobami.
  - Pečujte o elektronáďadí svědomitě. Zkontrolujte, zda pohyblivé díly stroje bezvadně fungují a nevzpříčují se, zda díly nejsou zlomené nebo poškozené tak, že je omezena funkce elektronáďadí. Poškozené díly nechte před opětovným použitím přístroje opravit. Mnoho úrazů má příčinu ve špatné udržovanosti elektronáďadí.
  - Rezně nástroje udržujte ostré a čisté. Pečlivě ošetřované řezné nástroje s ostrými řeznými hranami se méně vzpříčují a snadněji se vedou.
  - Používejte elektronáďadí, příslušenství, nasazovací nástroje apod. podle těchto pokynů. Respektujte přitom pracovní podmínky a prováděnou činnost. Použití elektronáďadí pro jiné než určené použití může vést k nebezpečným situacím.
5. Servis
- Nechte vaše elektronáďadí opravit pouze certifikovaným odborným personálem a pouze s originálními náhradními díly. Tím bude zajištěno, že bezpečnost stroje zůstane zachována.

## Bezpečnostní opatření při broušení



- Držte elektrické nářadí pouze za izolované rukojeti nebo v určených místech pro držení, protože brusný list se může dotknout přívodního kabelu. Prerušení kabelu pod proudem by mohlo propojit elektrický proud na kovové díly nářadí a způsobit obšluže úraz elektrickým proudem.
  - Použijte upínky nebo jiným způsobem připevněte opracovávaný díl ke stabilní podložce. Držet obráběný díl rukou nebo přitlačit k podložce není stabilní a může vést ke ztrátě držení.
  - Důrazně se doporučuje, aby byl nástroj vždy používán s proudovým chráničem se jmenovitým zbytkovým proudem 30 mA nebo méně.
  - Pokud je třeba vyměnit přívodní kabel, musí to provést výrobce nebo prodejce, aby se předšlo bezpečnostnímu riziku.
- Vždy používejte vhodné ochranné pomůcky včetně protiprachové masky minimální stupně filtrace FFP2, ochranné brýle a prostředky na ochranu sluchu
  - Zajistěte, aby všechny osoby v blízkosti pracovního prostoru byly vybaveny vhodnými osobními ochrannými pomůckami
  - Dbejte zvláštní opatrnosti při broušení dřeva (např. buk, dub, mahagon a teak), protože vznikající prach při broušení je toxický a může způsobit alergické reakce
  - NIKDY nezpracovávejte materiály obsahující azbest. Poručte se s kvalifickým odborníkem, pokud si nejste jisti, zda obrobek obsahuje azbest
  - Hořík nebo slitiny s vysokým obsahem hoříčku nikdy nebruste
  - Buďte si vědomi toho, že materiály k broušení mohou být natřeny barvou nebo prostředky k ošetření povrchu. Mnoho těchto látek může vytvářet toxický prach nebo být jiným způsobem škodlivé. Při práci v budovách postavených před rokem 1960 je zvýšené riziko výskytu barev na bázi olva
  - Prach vzniklý při broušení olovatých barev je obzvlášť nebezpečný pro děti, těhotné ženy a osoby s vysokým krevním tlakem. NEDOVOLTE, aby tyto osoby pochybovaly v blízkosti pracovního prostoru, i když jsou vybaveny vhodnými osobními ochrannými prostředky
  - Kdykoliv je to možné, používejte k odsávání prachu z plodín vysavač
  - Buďte zvláště opatrní při používání nářadí pro broušení jak dřeva, tak kovu. Jiskry při broušení kovů mohou snadno zapálit dřevěný prach. VZDY pečlivě vyčistěte vaše nářadí, aby se snížilo riziko vzniku požáru
  - Vypřázděte nádobu nebo sáček na prach vícekrát během broušení, před přestávkou v práci a po skončení práce. Prach může způsobit nebezpečí výbuchu. NEVHAZUJTE brusný prach do otevřené ohně. Při styku pracových částí s částicemi oleje nebo vody může dojít k samovolnému vznícení. Likvidaci odpadů provádějte pečlivě a v souladu s místními zákony a předpisy.
  - Broušené plochy i brusný papír se mohou zahřát během procesu. Jestliže zjistíte známky hoření, kouř nebo popel, přerušete práci a nechte materiál ochladit. NEDOTYKTE SE opracovávaného povrchu nebo brusného papíru, dokud nevychladne.
- I. NEDOTYKTE SE brusného papíru při chodu nářadí
- m. VZDY vypněte nářadí před odložením
- n. NEPOUŽÍVEJTE pro broušení za mokra. Částice kapaliny mohou vniknout do prostoru motoru a způsobit úraz elektrickým proudem
- o. VZDY před výměnou brusného papíru odpojte brusku od elektrické sítě
- p. I když je tento nástroj používán, jak je předepsáno, není možné zamezit vzniku velké rizikových faktorů. Máte-li pochyby o bezpečném použití nářadí, nepoužívejte jej

## Popis dílů

1. Přední rukojeť
2. Zadní rukojeť
3. Přívodní kabel
4. Port pro odsávání prachu
5. Kryt hnacího řemene
6. Otvor pro svěrky
7. Seřizovací knoflík běhu pásu
8. Brusný pás
9. Tlačítko zámku spínače
10. Spínač
11. Ovladač nastavení rychlosti
12. Kryt motoru s ventilačními otvory
13. Kryt uhlíku
14. Přední válec
15. Napínací páčka brusného pásu
16. Hnací válec

## Součástí balení je i toto příslušenství:

17. Podložka k přichycení ke stolu
18. Náhradní brusné pásy 2x
19. G-svěrka 2x
20. Sáček na zachytávání prachu
21. Náhradní hnací řemen

## Doporučené použití

Kompaktní pásová bruska pro středně až velmi náročné broušení většího množství materiálu - měkkého i tvrdého dřeva nebo podobných materiálů.

## Vybalení vašeho nářadí

- Nářadí opatrně vybalte a zkontrolujte. Seznamte se se všemi jeho vlastnostmi a funkcemi.
- Ujistěte se, že je v balení byly všechny díly a že jsou v pořádku. Pokud bude nějaký díl chybět nebo bude poškozen, nechejte si tyto díly vyměnit předtím, než s nářadím začnete pracovat.

## Před použitím

**VAROVÁNÍ:** Ujistěte se, že nářadí je vypojeno z elektrické sítě, když připevňujete příslušenství nebo provádíte jiné úpravy.

- Tato bruska je dodávána v plně smontovaném stavu. Je možné ji začít používat ihned po vytažení z krabice.

## Připojení sáčku na zachytávání prachu

- Doporučujeme vám připojit brusku k vysavači nebo jinému systému pro odsávání prachu
- Pokud takovýto systém nemáte k dispozici, musíte sáček pro zachytávání prachu (20) připevnit k portu pro odsávání prachu (4)

1. Nasuňte sáček na bajonetový uzávěr (obr. A), zatlačte a otáčejte sáčkem, dokud se nezajistí v pozici. Zkontrolujte, že zip na sáčku je uzavřen
2. Abyste sáček uvolnili, otáčejte jím, až uvolníte bajonetový uzávěr; poté ho vytáhněte

**VAROVÁNÍ: NEPOUŽÍVEJTE** sáček na zachytávání prachu, pokud brousíte kov. Horké kovové částčky a jiskry mohou podpálit zbytkový dřevěný prach/trisky a způsobit tak vzplanutí těchto třísek. Pokud brousíte kov, vždy připojte brusku k vysavači nebo odsávacímu systému. Nářadí vždy DŮKLADNĚ očistěte, pokud měníte materiály, které brousíte (kov vs. dřevo a naopak).

Výběr správné hrubosti brusného pásu

- Brusné pásy s různým stupněm hrubosti zakoupíte u svého prodejce Triton. Obvyklé stupně hrubosti jsou tyto: hrubý (velikost zrna 40), střední (velikost zrna 80 a 100) a jemný (velikost zrna 120)
- Hrubý stupeň používejte pro odstranění hrubých povrchů, střední hrubost pro zjemnění hrubého opracování a jemný stupeň pro konečnou povrchovou úpravu
- Stupeň hrubosti brusného pásu vždy nejdříve vyzkoušejte na ořezku opracovávaného materiálu, abyste použili ten správný brusný pás
- Abyste mohli plně využít všech kvalit vašich brusky, vždy nakupujte kvalitní brusné pásy

**Poznámka:** Když dokončíte úpravu povrchu pásovou bruskou, můžete pro dokončení povrchu použít rotační brusku. Pokud tak učiníte, může dojít k vymizení struktury vláken dřeva. Použití rotační brusky je vhodné, pokud povrch dokončíte vrstvou barvy anebo pokud vám nevádí ztráta struktury vláken dřeva.

## Připevnění brusného pásu

**VAROVÁNÍ:** Vždy se ujistěte, že nářadí je vypojeno z elektrické sítě, než začnete měnit příslušenství či provádět úpravy nastavení nebo čistiťe přístroje.

1. Zatahňte za napínací páčku brusného pásu (15), abyste uvolnili vypnutí brusného pásu. Pás vyjměte (obr. B)
2. Zkontrolujte, že brusný pás má pevný šev a na okrajích se netřepí
3. Nový brusný pás umístěte na válce (obr. C), šípky zevnitř na brusném pásu míří stejným směrem jako indikátor směru pohybu pásu
4. Stlačte napínací páčku brusného pásu (obr. D), abyste brusný pás naplnili
5. Brusku zapojte do sítě a – zatímco ji pevně držíte – zmáčkněte spínač (10) a ponechte pás chvíli běžet
6. Zatímco pás rotuje, seřizovacím knoflíkem běhu pásu (7) vycentrujte pás do středu hnacího válce (16). Zopakujte proceduru, dokud pás není vycentrován (stačí jemné pootočení knoflíkem běhu pásu, aby došlo ke korekci směru). Poté na chvíli zmáčkněte spínač; pás se usadí. Nechte brusku běžet chvíli naprázdno (než ji použijete na opracovávaném materiálu), abyste se ujistili, že pás je ve správné pozici

**VAROVÁNÍ:** Brusný pás nepoužívejte, pokud je opotřebovaný anebo poškozený.

**VAROVÁNÍ:** Nepoužívejte stejné brusné pásy pro broušení dřeva a kovu. Kovové částčky se zachytí mezi zrna brusného papíru a způsobí vyleštění povrchu dřeva.

## Pokyny pro použití

### Zapnutí a vypnutí

1. Stlačte spínač (10), abyste nastavovali brusku
2. Spínač uvolníte, abyste pásovou brusku zastavili
3. Abyste brusku zapnuli, stlačte spínač pro aktivaci pásové brusky a zmáčkněte tlačítko zámku spínače (9) (obr. E), abyste brusku uzamkli v poloze zapnutou
4. Abyste brusku vypnuli, stlačte spínač pro aktivaci pásové brusky, čímž vymáčkněte tlačítko zámku spínače, a povolte spínač, čímž zastavíte brusku

### Úprava rychlosti

- Rychlost můžete měnit podle druhu opracovávaného materiálu
- Pro změnu rychlosti otáčejte ovladačem nastavení rychlosti (11) dle potřeby (obr. F)

**Poznámka:** Pokud je ovladač nastavení rychlosti nastaven na nejnižší nastavení rychlosti "1", rychlost je 200 min. Pokud je ovladač nastaven na nejvyšší nastavení rychlosti "7", rychlost pásu je 700 min.

### Broušení

**VAROVÁNÍ:** Pokud pracujete s bruskou, vždy noste ochranné brýle, respirátor, chrániče sluchu a ochranné rukavice.

**Poznámka:** Kdykoliv je to možné, přichyťte opracovávaný materiál pomocí svěrek.

**VAROVÁNÍ:** Nepoužívejte brusku pro broušení hořčíku.

**Poznámka:** Vždy se ujistěte, že brusný pás je v dobrém stavu.

1. Připojte nářadí do elektrické sítě
2. Zmáčkněte spínač (10) a nechteje brusku dosáhnout plného výkonu, než brusný pás přiblížíte k opracovávanému materiálu
3. Pokud bude brousit déle, zmáčkněte tlačítko zámku spínače (3)
4. Přiložte brusku na opracovávaný materiál a jemně zatlačte
5. Bruste ve směru vláken, ve vodorovných, vzájemně se překrývajících pásech (obr. G)
6. Pokud odstraňujete barvu nebo chcete vyhladit velmi hrubé dřevo, nejdříve bruste napříč vláknou dřeva v úhlu 45° a povrch dokončete broušením rovnoběžným s vláknou
7. Předtím, než brusku vypnete, zvedněte ji z opracovávaného materiálu
8. Pamatujte, že je třeba se nedotýkat pohybujícího se brusného pásu – i po vypnutí přístroje pás ještě chvíli rotuje

**Poznámka:** Pro optimální odsávání prachu, vždy vyprázdněte sáček, pokud je z poloviny plný

**VAROVÁNÍ: NEPOUŽÍVEJTE** sáček na zachytávání prachu, pokud brousíte kov. Horké kovové částčky a jiskry mohou podpálit zbytkový dřevěný prach/trisky a způsobit tak vzplanutí těchto třísek. Pokud brousíte kov, vždy připojte brusku k vysavači nebo odsávacímu systému. Sáček snadno připevníte k portu pro odsávání prachu (4).

## Použití sady G-svěrek

- Sada G-svěrek (19) vám umožní použití brusku v obrácené pozici (obr. H). Brusku v této pozici můžete použít, pouze pokud pevně přichycena k pevnému, rovnému podkladu
- Obraťte brusku spodní částí nahoru a položte ji na rovný, stabilní povrch. Ujistěte se, že povrch je rovný a máte k němu dostatečný přístup, abyste mohli správně nastavit délku G-svěrek
  - Vložte G-svěrky do otvorů ve válcích brusky. Ujistěte se, že visí slá část G-svěrky je zachycena za pracovní plochu a pevně utažena
  - Utáhněte křídlové matice, abyste brusku pevně zajistili v pozici
  - Připevněte sáček na zachytávání prachu (20) anebo odsávací systém
  - Zapněte brusku a stlačte tlačítko zámků spínače (9), aby bruska stále jela
  - Zkontrolujte bezpečnost a pevnost přichycení brusky i zařízení brusného pásu. Pokud je třeba, upevnění brusky upravte

**VAROVÁNÍ:** NEPOUŽÍVEJTE brusku, pokud není bezpečně přichycena k pevnému podkladu

**Poznámka:** Pokud používáte brusku upnutou, použijte podložku pro přichycení ke stolu (17) pod brusku, abyste chránili povrch stolu před poškozením a zároveň zabránili pohybu brusky.

## Příslušenství

- K této brusce jsou k dispozici Triton brusné pásy v různých stupních zrnitosti. Ostatní příslušenství je k dispozici u vašeho prodejce Triton. Náhradní díly můžete zakoupit na [toolsparsonline.com](https://toolsparsonline.com)

## Údržba

**VAROVÁNÍ:** Ujistěte se, že nářadí je vypojeno z elektrické sítě, pokud provádíte kontrolu, údržbu nebo čištění nářadí

### Vyprázdnění sáčku na zachytávání prachu (pokud je připevněn)

**VAROVÁNÍ:** Brusku vždy nejdříve vypněte a odpojte z elektrické sítě, pokud odpojíte odsávací systém nebo odstraňujete sáček na zachytávání prachu (20).

- Abyste odstranili sáček na zachytávání prachu, pootočte s ním směrem ven, abyste povolili bajonet; poté ho vysuňte (obr. A)
- Otevřete sáček, vyprázdněte ho a znovu přichyťte (viz „Připojení sáčku na zachytávání prachu“)

**Poznámka:** Pokud prach z brusky obsahuje škodlivé částice jako starou barvu, lak atd., vždy ho likvidujte dle místních zákonů a nařízení

**VAROVÁNÍ:** Pro optimální odstranění prachu vysypte sáček, pokud je z poloviny plný

**Poznámka:** Nářadí vždy DŮKLADNĚ očistěte, pokud měníte materiály, které brousíte (kov vs. dřevo a naopak).

## Základní kontrola

- Pravidelně kontrolujte, že všechny šrouby jsou pevně přitaženy. Působením času a vibrací se mohou uvolnit
- Pravidelně kontrolujte přívodní kabel před každým použitím. Opravy může provádět pouze certifikované servisní středisko Triton. Toto doporučení se také týká prodlužovacích kabelů, které používáte společně s nářadím

## Čištění

- Udržujte nářadí po celou dobu používání v čistotě. Špína a prach mohou rychle způsobit zanesení vnitřních částí a zkrátit životnost nářadí. Čistěte těleso brusky měkkým kartáčem nebo suchým hadříkem. Profoukněte ventilační otvory nářadí stlačeným vzduchem, pokud je k dispozici
- Pokud je čištění nedostatečné, doporučuje se použít saponát na vlhké utěrcy
- Nikdy nepoužívejte chemická činidla k čištění plastových dílů.

## Promazání

- Všechny pohyblivé se části v pravidelných intervalech promazávejte vhodným mazadlem ve spreji

## Uhlíky

- Během času může dojít k opotřebování uhlíků uvnitř motoru
- Výrazné opotřebené uhlíky mohou způsobit ztrátu výkonu, občasné selhání nebo viditelné jiskření
- Pokud se domníváte, že uhlíky jsou opotřebené, je třeba vyměnit oba uhlíky zářaz

## Výměna uhlíků

**VAROVÁNÍ:** Ujistěte se, že je bruska vyprutá a přívodní kabel je odpojen ze sítě, než začnete uhlíky vyměňovat.

- Najděte kryt motoru s ventilačními otvory (12) a na něm krytky uhlíků (13)
- Krytky odstraňte pomocí plochého šroubováku, poté oba uhlíky vyjměte
- Všimněte si zářezů na konci uhlíků, který zapadne do otvorů v krytce uhlíku, a nové uhlíky vložte do otvoru a krytky zašroubujte

**Poznámka:** Uhlíky můžete měnit po jednom, ale doporučuje se, abyste vždy vyměnili oba zářaz.

- Po výměně uhlíků brusku zapojte do elektriny a zapněte ji. Brusku spusťte a zkontrolujte, jestli běží
- Pokud bruska neběží, zopakujte kroky 1 až 4. Pokud ani po druhém pokusu o výměnu uhlíků bruska neběží, je třeba s bruskou zajít do certifikovaného servisního střediska Triton

## Výměna hnacího řemene

**Poznámka:** Náhradní hnací řemen je standardní součástí tohoto přístroje. Pokud budete potřebovat další hnací řemen anebo jiný náhradní díly, jsou k dispozici u vašeho dodavatele Triton anebo na [toolsparsonline.com](https://toolsparsonline.com).

- Pomocí křížového šroubováku uvolněte šrouby krytu hnacího válce (5)
- Vyndejte opotřebený hnací řemen uvolněním ze spodní části řemenice hnacího válce
- Odstraňte prach a třísky
- Nasuňte hnací řemen na řemenici hnacího válce a zatlačte na větší řemenici, poté otáčejte pásem, dokud nebude na obou řemenicích
- Připevněte kryt hnacího válce a šrouby pevně utáhněte
- Vyzkoušejte brusku při malé rychlosti. Pokud je hnací řemen správně přichycen, bruska je připravena k použití

## Skladování

- Toto nářadí uchovávejte na bezpečném, suchém místě mimo dosah dětí

## Likvidace

Vždy dbejte místních zákonů, pokud potřebujete přístroj zlikvidovat, protože již nefunguje a není možné ho opravit.

- Nevyhazujte elektronářadí nebo jiný elektroodpad (WEEE) do domovního odpadu
- V případě dotazů kontaktujte příslušný úřad pro bližší informace o likvidaci elektrozařízení

## Řešení problémů

<b>Problém</b>	<b>Možná příčina</b>	<b>Řešení</b>
Po stlačení spínače (10) se nic neděje	Do nářadí nejde elektrický proud	Zkontrolujte dodávku elektrické energie
	Vadný spínač	Nechejte si spínač vyměnit v certifikovaném servisním středisku Triton
Bruska při broušení táhne do boku	Brusný pás není správně vycentrovaný	Nastavte seřizovací knoflík běhu pásu (7), abyste vyrovnali pás. Pokud problém přetrvává, vyměňte pás dle instrukcí výše
	Volný brusný pás	Zkontrolujte, že napínací páčka brusného pásu (15) je zavřená. Pokud problém přetrvává, upravte polohu pásu dle instrukcí výše
Pásová bruska běží, i když se spínače nedotýkáte	Tlačítko zámku spínače (9) je aktivováno	Abyste nářadí zastavili, stlačte a uvolněte spínač

## Záruka

Pro registraci záruky navštivte naše webové stránky tritontools.com\* a zadejte informace o výrobku. Vaše údaje budou uloženy (pokud tuto možnost nezakážete) a budou vám zasílány novinky. Vaše údaje neposkytneme žádné třetí straně.

## Záznam o nákupu

Datum pořízení: \_\_\_ / \_\_\_ / \_\_\_

Model: T41200BS

Kupní doklad uschovejte jako potvrzení zakoupení výrobku

## CE Prohlášení o shodě

**Niže podepsaný:** pan Darrell Morris

**zplnomocněný:** Triton Tools

**prohlašuje, že :** Toto prohlášení bylo vydáno na výhradní odpovědnost výrobce. Předmět tohoto prohlášení je v souladu s příslušnou harmonizační legislativou Unie.

**Výrobek číslo:** T41200BS

**Popis:** 1200 W Pásová bruska

**Byl uveden na trh ve shodě se základními požadavky a příslušnými ustanoveními následujících směrnic:**

- Směrnice o bezpečnosti strojních zařízení 2006/42/EC
- Směrnice o technických požadavcích na výrobky z hlediska jejich elektromagnetické kompatibility 2014/30/EC
- Směrnice RoHS 2011/65/EU
- EN60745-1:2009+A11:2010
- EN60745-2-4:2009+A11:2011
- EN55014-1:2006+A1:2009+A2:2011
- EN55014-2:1997+A1:2001+A2:2008
- EN61000-3-2:2014
- EN61000-3-3:2013

Pokud se během 3-leté ode dne nákupu objeví závada výrobku společnosti Triton Precision Power Tools, která byla způsobena vadou materiálu nebo vadným zpracováním, Triton opraví nebo vymění vadný díl zdarma.

Tato záruka se nevztahuje na výrobky, které budou používány pro komerční účely, a dále na poškození, které je způsobeno neodborným použitím nebo mechanickým poškozením výrobku.

\* Registrujte se během 30 dni od nákupu.

Změna podmínek vyhrazena.

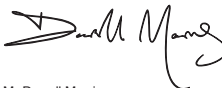
Těmito podmínkami nejsou dotčena vaše zákonná práva.

**Notifikovaná osoba:** TÜV Rheinland Co., Ltd.

**Technická dokumentace je uložena u:** Triton Tools

**Datum:** 04/07/2016

**Podpis:**



Mr Darrell Morris

Výkonný ředitel

**Jméno a adresa výrobce:**

Powerbox International Limited, Company No. 06897059.

Registrovaná adresa: Powerbox, Boundary Way, Lufton Trading Estate,

Yeovil, Somerset, BA22 8HZ, United Kingdom.

# Preklad originálneho návodu

## Úvod

Ďakujeme za zakúpenie výrobku Triton. tento manuál obsahuje informácie nutné k bezpečnému používaniu a správne fungovaniu tohto výrobku. Tento výrobok ponúka mnoho jedinečných funkcií. Je možné, že ste už s podobným výrobkom pracovali, napriek tomu si však prečítajte tento manuál, aby ste naplno pochopili všetky inštrukcie. Uistite sa, že každý, kto s výrobkom pracuje, si tento manuál prečítal a porozumel mu.

## Použitie symboly

Typový štítok na vašom náradí môže obsahovať symboly. Tie predstavujú dôležité informácie o výrobku alebo pokyny na jeho použitie.



Používajte chrániče sluchu  
Používajte ochranné okuliare  
Používajte respirátory  
Používajte ochranu hlavy



Prečítajte si návod



Používajte ochranné rukavice



Nepoužívajte v daždi alebo vo vlhkom prostredí!



**VAROVANIE:** Pohyblivé časti môžu spôsobiť rozdrveniu alebo rezné poranenia!



Trieda ochrany II (dvojitá izolácia pre väčšiu ochranu)



**Ochrana životného prostredia** Nevyhadzujte elektronáradie do domového odpadu. Zariadenie odovzdajte na recykláciu. V prípade otázok kontaktujte príslušný úrad alebo predajcu.



V súlade s príslušnou legislatívou a bezpečnostnými štandardmi



Pozor!



Nebezpečné výpary alebo plyny!

## Technické informácie

Model č:	T41200BS
Napätie:	230 V–240 V, 50 Hz
Dĺžka prívodného kábla:	2,6 m
Príkon:	1200 W
Otáčky kolesa:	2500 otáčok/minútu
Otáčky pásu naprázdno:	200–400 m/min <sup>1</sup>
Trieda ochrany:	
IP krytie:	IP20
Brusná plocha:	100 x 156 mm
Veľkosť brusného pásu:	100 x 610 mm
Rozmery brusného pásu (D x Š x V):	410 x 181 x 181 mm
Hmotnosť:	6 kg
Informácie o hluku a vibráciách:	
Akustický tlak L <sub>pA</sub> :	95,4 dB(A)
Akustický výkon L <sub>WA</sub> :	106,4 dB(A)
Tolerancia K:	3 dB
Vážené vibrácie a <sub>h</sub> (hlavní rukoväť):	4,92 m/s <sup>2</sup>
Vážené vibrácie a <sub>h</sub> (predná rukoväť):	6,70 m/s <sup>2</sup>
Tolerancia K:	1,5 m/s <sup>2</sup>
<b>Pokiaľ úroveň hluku podľa použitého elektronáradia prekročí 85 dB(A), je treba prijať ochranné protihlukové opatrenia.</b>	

Vzhľadom k nepretržitému vývoju výrobku Triton sa technické dáta našich výrobkov môžu meniť bez ohľadovania.

**VAROVANIE:** Ak hladina hluku presiahne 85 dB(A), vždy noste chrániče sluchu a obmedzte dobu práce s elektronáradiem. Pokiaľ sa hladina hluku stane neprijemnou aj s chráničmi sluchu, ihneď prestaňte náradie používať. Skontrolujte, či máte chrániče sluchu správne pripavené, aby mohli poskytovať potrebné zníženie hladiny hluku, ktoré elektronáradie vydáva.

**VAROVANIE:** Vystavenie sa vibráciám elektronáradia môže spôsobiť stratu pozornosti, únavu, nespavosť, mravenčenie a/alebo obmedzenú schopnosť uchopu. Dlhodobé vystavenie sa vibráciám môže tieto problémy zmeniť na chronický stav. Ak je treba, obmedzte čas, kedy ste vibráciám vystavení a používajte anti-vibračné rukavice. Elektronáradie nepoužívajte v prostredí s teplotou nižšou než je izbová teplota, pretože vibrácie môžu mať väčší efekt. Využite hodnoty uvedené v technických informáciách, aby ste určili vhodnú dobu práce a frekvenciu práce s elektronáradiem.

Úroveň hluku a vibrácií bola zameraná podľa meracích metód normovaných v EN60745, príp. podobných medzinárodných štandardov. Namerané hodnoty zodpovedajú bežnému používaniu elektronáradia v bežných pracovných podmienkach. Nevhodne udržiavané, nesprávne zložené alebo nesprávne používané náradie môže vytvárať vyššie hladiny hluku a vibrácií. [www.osha.europa.eu](http://www.osha.europa.eu) ponúka informácie o úrovni hluku a vibrácií v pracovnom prostredí; tieto informácie môžu byť užitočné pre hobby používateľov, ktorí používajú prístroj častejšie.

## Tabuľka technických skratiek

V	volty
~	striedavý prúd
A	ampér
n <sub>0</sub>	otáčky naprázdno
Hz	hertz
W, kW	watt, kilowatt
/min or min <sup>-1</sup>	operácie za minútu



# Bezpečnostní opatření

## UPOZORNĚNÍ: Přečtěte si všechna bezpečnostní varování a instrukce.

Neuposlechnutí následujících varování může způsobit úraz elektrickým proudem, požár a/nebo vážné poranění.

**UPOZORNĚNÍ:** Tento přístroj nesmí být používán osobami (včetně dětí) s tělesným nebo mentálním poškozením. Dále ho nesmí používat osoby s minimem zkušeností nebo znalostí.

Uchovávejte všechna varování a instrukce pro budoucí použití.

Výrazem "elektronářadí" zmiňovaných v bezpečnostních opatřeních se rozumí zařízení používané v elektrické síti (se síťovým kabelem) anebo zařízení, které využívá bateriový pohon (bez síťového kabelu).

### 1. Bezpečnost pracovního místa

- Udržujte pracovní místo čisté a dobře osvětlené. Nepořádek nebo neosvětlené pracovní místo může vést k úrazům.
- Nepoužívejte elektronářadí v prostředí ohroženém explozí, kde se nacházejí hořlavé kapaliny, plyny nebo prach. Elektronářadí vytváří jiskry, které mohou prach nebo páry zapálit.
- Děti a jiné přihlížející osoby udržujte při použití elektronářadí daleko od pracovního místa. Při rozptýlení můžete ztratit kontrolu nad přístrojem.

### 2. Bezpečná práce s elektrinou

- Připojovace zástrčka elektronářadí musí odpovídat zásuvce. Zástrčka nesmí být žádným způsobem upravená. Společně s elektronářadím s ochranným uzemněním nepoužívejte žádné adaptérové zástrčky. Neupravené zástrčky a vhodné zásuvky snižují pravděpodobnost úrazu elektrickým proudem.
- Vyhnete se tělesnému kontaktu s uzemněnými povrchy jako je potrubí, topná tělesa, sporáky a chladničky. Je-li vaše tělo uzemněno, hrozí zvýšené riziko úrazu elektrickým proudem.
- Chraňte zařízení před deštěm a vlhkem. Vniknutí vody do elektronářadí zvyšuje nebezpečí úrazu elektrickým proudem.
- Dbejte na účel kabelu, nepoužívejte jej k nošení či zavěšení elektronářadí nebo k vytáhnutí zástrčky ze zásuvky. Udržujte kabel daleko od tepla, oleje, ostrých hran nebo pohyblivých dílů stroje. Poškozené nebo spletené kabely zvyšují riziko zášahu elektrickým proudem.
- Pokud pracujete s elektronářadím venku, použijte pouze takové prodlužovací kabely, které jsou způsobilé i pro venkovní použití. Použití prodlužovacího kabelu, jež je vhodný pro použití venku, snižuje riziko zášahu elektrickým proudem.
- Pokud se nelze vyhnout provozu elektronářadí ve vlhkém prostředí, použijte proudový chránič. Použití proudového chráničce snižuje riziko zášahu elektrickým proudem.

### 3. Osobní bezpečnost

- Buďte pozorní, dávejte pozor na to, co děláte, a přistupujte k práci s elektronářadím rozumně. Nepoužívejte žádné elektronářadí, pokud jste unaveni nebo pod vlivem drogy, alkoholu nebo léků. Moment nepozornosti při použití elektronářadí může vést k vážným poraněním.
- Noste osobní ochranné pomůcky a vždy ochranné brýle. Nošení osobních ochranných pomůcek jako je maska proti prachu, bezpečnostní obuv s protiskluzovou podrážkou, ochranná přilba nebo sluchátka, podle druhu použití elektronářadí, snižují riziko poranění.
- Zabraňte neúmyslnému uvedení do provozu. Přesvědčte se, že je elektronářadí vypnuté, dříve, než jej uchopíte, ponesejte či připojíte na zdroj proudu a/nebo akumulátor. Máte-li při nošení elektronářadí prst na spínači, nebo pokud stroj připojíte ke zdroji proudu zapnutý, může dojít k úrazům.
- Než elektronářadí zapnete, odstraňte seřizovací nástroje nebo šroubováky. Nástroj nebo klíč, který se nachází v otáčivém dílu stroje, může vést k poranění.
- Zajistěte si bezpečný postoj a udržujte vždy rovnováhu. Tím můžete elektronářadí v neočekávaných situacích lépe kontrolovat.
- Noste vhodný oděv. Nenoste žádný volný oděv nebo šperky. Vlasy, oděv a rukavice udržujte daleko od pohyblivých částí. Volný oděv, šperky nebo dlouhé vlasy mohou být zachyceny pohyblivými částmi stroje.
- Lze-li namontovat odsávací či zachycující přípravy, přesvědčte se, že jsou připojeny a správně použity. Použití odsávání prachu může snížit ohrožení prachem.

### 4. Svědomitě zacházení a používání elektronářadí

- Přístroj nepřetěžujte. Pro svou práci použijte k tomu určené elektronářadí. S vhodným elektronářadím zvládnete práci lépe a bezpečněji.
- Nepoužívejte žádné elektronářadí, jehož spínač nebo přívodní kabel je vadný. Elektronářadí, které nelze zapnout či vypnout, je nebezpečné a musí se opravit.
- Než provedete seřízení stroje, výměnu dílů příslušenství nebo stroj odložíte, vytáhnete zástrčku ze zásuvky a/nebo odstraňte akumulátor. Toto preventivní opatření zabrání neúmyslnému zapnutí elektronářadí.

- Uchovávejte nepoužívané elektronářadí mimo dosah dětí. Nenechte stroj používat osobám, které se strojem nejsou seznámeny nebo nečetly tyto pokyny. Elektronářadí je nebezpečné, je-li používáno nezkušenými osobami.
- Pečujte o elektronářadí svědomitě. Zkontrolujte, zda pohyblivé díly stroje bezvadně fungují a nevzpříčí se, zda díly nejsou zlomené nebo poškozené tak, že je omezena funkce elektronářadí. Poškozené díly nechte před opětovným použitím přístroje opravit. Mnoho úrazů má příčinu ve špatně udržovaném elektronářadí.
- Řezné nástroje udržujte ostré a čisté. Pečlivě ošetřované řezné nástroje s ostrými řeznými hranami se méně vzpříčí a snadněji se vedou.
- Používejte elektronářadí, příslušenství, nasazovací nástroje apod. podle těchto pokynů. Respektujte přitom pracovní podmínky a prováděnou činnost. Použití elektronářadí pro jiné než určené použití může vést k nebezpečným situacím.

### 5. Servis

- Nechte vaše elektronářadí opravit pouze certifikovaným odborným personálem a pouze s originálními náhradními díly. Tím bude zajištěno, že bezpečnost stroje zůstane zachována.

## Bezpečnostní opatření při brúsení



- Náradie držte iba za izolované rukoväte a povrchy, ak vykonávate prácu, pri ktorej by náradia mohli prísť do kontaktu s vlastným prívodným káblom. Prerazenie "živého" kábla môže spôsobiť, že kovové časti elektrického náradia sa stanú tiež "živými" a môžu spôsobiť pracovníkovi úraz elektrickým prúdom
- Používajte svorky alebo iné spôsoby, ako materiál zaistiť a správne popodrietať. Ak budete materiál držať iba rukou alebo ho opierať o svoje telo, môže dôjsť k strate kontroly nad náradím.
- Ak je potrebné vymeniť prívodný kábel, musí to vykonať výrobca alebo predajca, aby sa predišlo bezpečnostným rizikám.
- Dôrazne sa odporúča, aby bol nástroj vždy používaný s prúdovým chráničom s menovitým zvyškovým prúdom 30 mA alebo menej.

- Vždy používajte vhodné ochranné pomůcky včetně protiprachové masky minimální stupně filtrace FFP2, ochranné brýle a prostředky na ochranu sluchu
- Zajistěte, aby všechny osoby v blízkosti pracovního prostoru byly vybaveny vhodnými osobními ochrannými pomůckami
- Dbejte zvláštní opatrnosti při broušení dřeva (např. buk, dub, mahagon a teak), protože vznikající prach při broušení je toxický a může způsobit alergické reakce
- NIKDY nezpracovávajíte materiály obsahující azbest. Poradte se s kvalifikovaným odborníkem, pokud si nejste jisti, zda obrobek obsahuje azbest
- Hořík nebo siltiny s vysokým obsahem hoříčku nikdy nebruste
- Buďte si vědomi toho, že materiály k broušení mohou být natěny barvou nebo prostředky k ošetření povrchu. Mnoho těchto látek může vytvářet toxický prach nebo být jiným způsobem škodlivé. Při práci v budovách postavených před rokem 1960 je zvýšené riziko výskytu barev na bázi olova
- Prach vzniklý při broušení olivnatých barev je obzvlášť nebezpečný pro děti, těhotné ženy a osoby s vysokým krevním tlakem. NEDOVOLTE, aby tyto osoby pohybovaly v blízkosti pracovního prostoru, i když jsou vybaveny vhodnými osobními ochrannými prostředky
- Kdykoliv je to možné, používejte k odsávání prachu a zplodin vysavač
- Buďte zvláště opatrní při používání nářadí pro broušení jak dřeva, tak kovu. Jiskry při broušení kovů mohou snadno zapálit dřevěný prach. VŽDY pečlivě vyčistěte vaše nářadí, aby se snížilo riziko vzniku požáru
- Vyprázdněte nádobu nebo sáček na prach vícekrát během broušení, před přestávkou v práci a po skončení práce. Prach může způsobit nebezpečí výbuchu. NEVHAZUJTE brusný prach do otevřeného ohně. Při styku pracových částic s částicemi oleje nebo vody může dojít k samovolnému vznícení. Likvidaci odpadů provádějte pečlivě a v souladu s místními zákony a předpisy.
- Broušené plochy i brusný papír se mohou zahřát během procesu. Jestliže zjistíte známky hoření, kouř nebo popel, přerušete práci a nechte materiál ochladit. NEDOTYKTE SE opracovávaného povrchu nebo brusného papíru, dokud nevychladne.
- NEDOTYKTE SE brusného papíru při chodu nářadí
- VŽDY vypněte nářadí před odložením
- NEPOUŽÍVEJTE pro broušení za mokra. Částice kapaliny mohou vniknout do prostoru motoru a způsobit úraz elektrickým proudem
- VŽDY před výměnou brusného papíru odpojte brusku od elektrické sítě
- P. I když je tento nástroj používán, jak je předepsáno, není možné zamezit vzniku všech rizikových faktorů. Máte-li pochyby o bezpečném použití nářadí, nepoužívejte jej

## Popis dielov

1. Predná rukoväť
2. Zadná rukoväť
3. Prívodný kábel
4. Port pre odsávanie prachu
5. Kryt hnacieho remeňa
6. Otvor pre zvierky
7. Nastavovací gombík behu pásu
8. Brúsný pás
9. Tlačidlo zámku spínača
10. Spínač
11. Ovládač nastavenia rýchlosti
12. Kryt motora s ventilačnými otvorami
13. Kryt uhlíka
14. Predný valec
15. Napínacia páčka brúsneho pásu
16. Hnací valec

## Súčasť'ou balenia je aj toto príslušenstvo:

17. Podložka na prichytenie ku stolu
18. Náhradné brúsne pásy 2x
19. G-zvierka 2x
20. Vrečko na zachytávanie prachu
21. Náhradný hnací remeň

## Odporúčané použitie

Kompaktná pásová brúska pre stredne až veľmi náročné brúsenie väčšieho množstva materiálu - mäkkého i tvrdého dreva, alebo podobných materiálov.

## Vybalenie vášho náradia

- Náradie opatrne vybalte a skontrolujte. Oboznámte sa so všetkými jeho vlastnosťami a funkciami.
- Uistite sa, že v balení boli všetky diely a že sú v poriadku. Pokiaľ by niektorý diel chýbal alebo bol poškodený, nechajte si tento diel vymeniť pred tým, než s náradím začnete pracovať.

## Pred použitím

**VAROVANIE:** Uistite sa, že nástroj je vypojený z elektrickej siete, keď pripojíte príslušenstvo, alebo robíte iné úpravy

- Táto brúska je dodávaná v úplne zmontovanom stave. Je možné ju začať používať ihneď po vytiahnutí z krabice.

## Pripojenie vrečka na zachytávanie prachu

- Odporúčame vám pripojiť brúsku k vysávaču alebo inému systému pre odsávanie prachu
- Ak takýto systém nemáte k dispozícii, musíte sáček na zachytávanie prachu (20) pripíchnúť k portu pre odsávanie prachu (4):

1. Nasuňte sáčok na bajonetový uzáver (obr. A), zatlačte a otáčajte sáčkom, dokiaľ sa nezaistí v pozícii. Skontrolujte, že zips na sáčku je uzavretý
2. Aby ste sáčok uvoľnili, otáčajte ním, až uvoľníte bajonetový uzáver; potom sáčok vyťahnite

**VAROVANIE: NEPOUŽÍVAJTE** sáčok na zachytávanie prachu, keď brúsíte kov. Horúce kovové častičky a iskry môžu podpáliť zvyklový drevený prach/triesky a spôsobiť tak vzplanutie týchto trosiek. Ak brúsíte kov, vždy pripojte brúsku k vysávaču alebo odsávaciemu systému. Náradie vždy dôkladne očistite, keď meníte materiál, ktoré brúsíte (kov vs. drevo a naopak).

## Výber správnej hrúbosti brúsneho pásu

- Brúsne pásy s rôznym stupňom hrúbosti zakúpite v miestnom obchode s potrebami pre remeselníkov. Obvyklé stupne hrúbosti sú tieto: hrubý (veľkosť zrna 40), stredný (veľkosť zrna 80 a 100) a jemný (veľkosť zrna 120)
- Hrubý stupeň používajte na odstránenie hrubých povrchov, strednú hrúbosť na zjemnenie hrubého opracovania a jemný stupeň pre konečnú povrchovú úpravu
- Stupeň hrúbosti brúsneho pásu vždy najprv vyskúšajte na odrezku opracovaného materiálu, aby ste použili ten správny brúsny pás
- Aby ste mohli v plnej miere využiť všetky kvality vašej brusky, vždy nakupujte kvalitné brúsne pásy

**Poznámka:** Keď dokončíte úpravu povrchu pásovou brúskou, môžete na dokončenie povrchu použiť rotačnú brúsku. Ak tak urobíte, môže dôjsť k vymiznutiu štruktúry vlákien dreva. Použite rotačnej brusky je vhodné, ak povrch dokončíte vrstvou farby, alebo ak vám nevdá strata štruktúry vlákien dreva.

## Pripevnenie brúsneho pásu

**VAROVANIE:** Vždy sa uistite, že náradie je vypojené z elektrickej siete, než začnete meniť príslušenstvo či vykonávať úpravy nastavenia alebo čistenie prístroja.

1. Zatiahnite za napínaciu páčku brúsneho pásu (15), aby ste uvoľnili vypnutie brúsneho pásu. Pás vyberte (obr. B)
2. Skontrolujte, že brúsny pás má pevný šev a na okrajoch sa nestrpáka
3. Nový brúsny pás umiestnite na valce (obr. C), šípky zvrútna na brúsnom páse miera rovnakým smerom ako indikátor smeru pohybu pásu
4. Stlačte napínaciu páčku brúsneho pásu (obr. D), aby ste brúsny pás napli
5. Brúsku zapojte do siete a – zatiaľ čo ju pevne držíte (10) a nechajte pás chvíľu bežať
6. Kým pás rotuje, nastavovacím gombíkom behu pásu (6) vycentrujte pás do stredu hnacieho valca (13). Zopakujte procedúru, dokiaľ pás nie je vycentrováný (stačí jemné pootočením gombíkom behu pásu (7), aby došlo ku korekcii smeru). Potom na chvíľu stlačte spínač; pás sa usadí. Nechajte brúsku bežať chvíľu naprázdno (než ju použijete na opracovávacom materiálu), aby ste sa uistili, že pás je v správnej pozícii

**VAROVANIE:** Brúsny pás nepoužívajte, ak je opotrebovaný alebo poškodený.

**VAROVANIE:** Nepoužívajte rovnaké brúsne pásy pre brúsenie dreva a kovu. Kovové častičky sa zachytia medzi zrná brúsneho papiera a spôsobia vyštenie povrchu dreva.

## Pokyny pre použitie

### Zapnutí a vypnutí

**Poznámka:** Indikátor pripojení do sítě (8) bude svietiť, pokud jde do přístroje proud.

1. Stlačte spínač (10), aby ste nastartovali brusku
2. Spínač uvoľníte, aby ste pásovou brusku zastavili
3. Aby ste brusku zapnúli, stlačte spínač pro aktivaci pásové brusky a zmáčkněte tlačítko zámku spínače (9) (obr. E), aby ste brusku uzamkli v poloze zapnutu
4. Aby ste brusku vypnuli, stlačte spínač pro aktivaci pásové brusky, čímž vymáčkněte tlačítko zámku spínače, a povolte spínač, čímž zastavíte brusku

### Úprava rýchlosti

- Rýchlosť môžete meniť podľa druhu opracovávaného materiálu
- Pre zmenu rýchlosti otáčajte koleškom voľby rýchlosti (11) podľa potreby (obr. F)

**Poznámka:** Ak je ovládač nastavenia rýchlosti nastavený na najnižšiu rýchlosť "1", rýchlosť je 200 m/min. Ak je ovládač nastavený na najvyššie nastavenie rýchlosti "7", rýchlosť pásu je 700 m/min.

### Brúsenie

**VAROVANIE:** Keď pracujete s brúskou, vždy noste ochranné okuliare, respirátor, chrániče sluchu a ochranné rukavice.

**Poznámka:** Kedykoľvek je to možné, prichypte opracovávaný materiál pomocou svoriek.

**VAROVANIE:** Nepoužívajte brúsku na brúsenie horčíka.

**Poznámka:** Vždy sa uistite, že brúsny pás je v dobrom stave.

1. Pripojte náradie do elektrickej siete
2. Stlačte spínač (10) a nechajte brúsku dosiahnuť plného výkonu, než brúsny pás priblížite k opracovávanému materiálu
3. Ak budete brúsiť dlhšie, stlačte tlačidlo zámku spínača (9)
4. Priplozte brúsku na opracovávaný materiál a jemne zatlačte
5. Brúste v smere vlákien, vo vodorovných, vzájomne sa prekrývajúcich pásoch (obr. G)
6. Pokiaľ odstraňujete farbu alebo chcete vyhladiť veľmi hrubé drevo, najprv brúsťe naprieč vláknami dreva v uhle 45° a povrch dokončíte brúsením rovnobežným s vláknami
7. Predtým, než brúsku vypnete, zdvihnite ju z opracovávaného materiálu
8. Pamätajte, že sa nesmiete dotýkať pohybujuceho sa brúsneho pásu – i po vypnutí prístroja pás ešte chvíľu rotuje

**Poznámka:** Pre optimálne odsávanie prachu vždy vyprázdňte sáčok, ak je z polovice plný

**VAROVANIE: NEPOUŽÍVAJTE** sáčok na zachytávanie prachu (20) keď brúsíte kov. Horúce kovové častičky a iskry môžu podpáliť zbytkový drevený prach/triesky a spôsobiť tak vzplanutie týchto trosiek. Keď brúsíte kov, vždy pripojte brúsku k vysávaču alebo odsávaciemu systému. Sáček jednoducho pripievňte k portu pre odsávanie prachu (4).

## Použitie sady G-svoriek

- Sada G-svoriek (19) vám umožní použiť brúsku v obrátenej pozícii (obr. H). Brúsku v tejto pozícii môžete použiť len ak je pevne prichytená k pevnému, rovnému podkladu
- Obráťte brúsku spodnou časťou nahor a položte ju na rovný, stabilný povrch. Uistite sa, že povrch je rovný a máte k nemu dostatočný prístup, aby ste mohli správne nastaviť dĺžku G-svoriek
  - Vložte G-svorok do otvorov vo valcoch brúsky. Uistite sa, že zvislá časť G-svorok je zachytená za pracovnú plochu a pevne utiahnutá
  - Utiahnite krídlové matice, aby ste brúsku pevne zaistili v pozícii
  - Pripevnite sáčok na zachytávanie prachu (20) alebo odsávací systém
  - Zapnite brúsku a stlačte tlačidlo zámku spínača, aby brúska stále bežala
  - Skontrolujte bezpečnosť a pevnosť prichytenia brúsky i nastavenie brúsneho pásu. Ak bude potreba, upevnenie brúsky upravte

**VAROVANIE:** NEPOUŽÍVAJTE brúsku, ak nie je bezpečne prichytená k pevnému podkladu

**Poznámka:** Ak používate brúsku upnutú, použite podložku pre prichytenie ku stolu (17) pod brúsku, aby ste chránili povrch stola pred poškodením a zároveň zabránili pohybu brúsky.

## Príslušenstvo

- K tejto brúske sú k dispozícii Triton brúsne pásy v rôznych stupňoch zrnitosti. Ostatné príslušenstvo je k dispozícii z vášho dodávateľa Triton. Náhradné diely môžete zakúpiť na [toolsparsonline.com](https://toolsparsonline.com)

## Údržba

**VAROVANIE:** Uistite sa, že nástroj je vypojený z elektrickej siete, keď vykonávate kontrolu, údržbu alebo čistenie

### Vyprázdnenie sáčku na zachytávanie prachu (ak je pripevnený)

**VAROVANIE:** Prístroj vždy vypnite a odpojte z elektrickej siete, keď odpojujete odsávací systém alebo odstraňujete sáčok na zachytávanie prachu (20).

- Aby ste odstránili sáčok na zachytávanie prachu, pootočte ním smerom von, aby ste povolili bajonet; potom ho vysuňte (obr. A)
- Otvorte sáčok, vyprázdnite ho a znovu prichyťte (viď „Pripojenie sáčku na odsávanie prachu“)

**Poznámka:** Ak prach z brúsky obsahuje škodlivé častice, ako starú farbu, lak atď., vždy ho likvidujte podľa miestnych zákonov a nariadení

**VAROVANIE:** Pre optimálne odstránenie prachu vysypte sáčok, keď je z polovice plný

**Poznámka:** Náradie vždy DÔKLADNE očistite keď meníte materiály, ktoré brúsíte (kov vs. drevo a naopak).

### Základná kontrola stavu

- Pravidelne kontrolujte, že všetky skrutky sú pevne priťahnuté. Pôsobením času a vibrácií sa môžu uvoľniť
- Pravidelne kontrolujte prívodný kábel pred každým použitím. Opravy môže vykonávať iba certifikované servisné stredisko Triton. Toto odporúčanie sa týka aj predizovacích káblov, ktoré používate spoločne s nástrojom

### Čistenie

- Udržujte náradie po celú dobu používania v čistote. Špina a prach môžu rýchlo spôsobiť zanesenie vnútorných častí a skráti životnosť náradia. Čistite teleso brúsky mäkkou kefou alebo suchou handričkou. Prefúkajte ventilačné otvory náradia stlačeným vzduchom, ak je k dispozícii
- Ak je očistenie nedostatočné, odporúča sa použiť saponát na vlhké utierke
- Nikdy nepoužívajte chemické čistiace k čisteniu plastových dielov

### Premazanie

- Všetky pohybujúce sa časti v pravidelných intervaloch premazávajú vhodným mazadlom v spreji

## Uhlíky

- Počas času môže dôjsť k opotrebovaniu uhlíkov vnútri motora
- Výrazne opotrebované uhlíky môžu spôsobiť stratu výkonu, občasné zlyhanie alebo viditeľné iskrenie
- Ak sa domnievate, že uhlíky sú opotrebované, je treba vymeniť oba uhlíky naraz

### Výmena uhlíkov

**VAROVANIE:** Uistite sa, že je brúška vypnutá a prívodný kábel je odpojený zo siete, ako začnete uhlíky vymieňať.

- Nájdite kryt motora s ventilačnými otvormi (12) a na ňom krytky uhlíkov (13)
- Krytky odstráňte pomocou plochého skrutkovača, potom oba uhlíky vyberte
- Všimnite si zárezov na konci uhlíkov, ktorý zapadne do otvorov v krytke uhlíka, a nové uhlíky vložte do otvoru a krytky zaskrutkujte

**Poznámka:** Uhlíky môžete meniť po jednom, ale odporúča sa, aby ste vždy vymenili oba naraz.

- Po výmene uhlíkov brúsku zapojte do elektriny a zapnite ju. Brúsku spustite a skontrolujte, či beží

5. Ak brúska nebeží, zopakujte kroky 1 až 4. Ak ani po druhom pokuse o výmenu uhlíkov brúska nebeží, je potrebné s brúskou zísť do certifikovaného servisného strediska Triton

### Výmena hnacieho remeňa

**Poznámka:** Náhradný hnací remeň je štandardnou súčasťou tohto prístroja. Ak budete potrebovať ďalší hnací remeň alebo iné náhradné diely, sú k dispozícii u vášho dodávateľa Triton alebo na [toolsparsonline.com](https://toolsparsonline.com).

- Pomocou križového skrutkovača uvoľnite skrutky krytu hnacieho valca (5)
- Vyberte opotrebovaný hnací remeň uvoľnením zo spodnej časti remenickej hnacieho valca
- Odstraňte prach a triesky
- Nasuňte hnací remeň na remenicu hnacieho valca a zatlačte na väčšiu remenicu, potom otáčajte pásom, kým nebude na oboch remenicách
- Pripevnite kryt hnacieho valca a skrutky pevne utiahnite

### Skladovanie

- Toto náradie uchovávajte na bezpečnom, suchom mieste mimo dosah detí.

## Likvidácia

Vždy dbajte miestnych zákonov, ak potrebujete prístroj zlikvidovať, pretože už nefunguje a nie je možné ho opraviť.

- Nevyhadzujte elektronáradie alebo iný elektroodpad (WEEE) do domového odpadu
- V prípade dotazov kontaktujte príslušný úrad pre bližšie informácie o likvidácii elektrozariadení

## Riešenie problémov

Problém	Možná příčina	Riešenie
Po stlačení spínača (10) sa nič nedeje	Do náradie nejde elektrický prúd	Skontrolujte dodávku elektrickej energie
	Chybný spínač	Nechajte si spínač vymeniť v certifikovanom servisnom stredisku Triton
Brúska pre brúsenie ťahá do boku	Brúsny pás nie je správne vycentrovaný	Nastavte nastavovací gombík behu pásu (7), aby ste vyrovnali pás. Ak problém pretrváva, vymeríte pás podľa inštrukcií vyššie
	Voľný brúsny pás	Skontrolujte, že napínacia páčka brúsneho pásu (15) je zatvorená. Ak problém pretrváva, upravte polohu pásu podľa inštrukcií vyššie
Pásová brúska beží, aj keď sa spínače nedotýkate	Tlačidlo zámku spínača (9) je aktivované	Aby ste náradie zastavili, stlačte a uvoľnite spínač

## Záruka

Na registráciu záruky navštívte naše webové stránky tritontools.com\* a zadajte informácie o výrobku. Vaše údaje budú uložené (pokiaľ túto možnosť nezakážete) a budú vám zasielané novinky. Vaše údaje nebudú poskytnuté žiadnej tretej strane.

## Záznam o nákupe

Dátum obstarania: \_\_\_ / \_\_\_ / \_\_\_

Model: T41200BS

Doklad o kúpe uschovajte ako potvrdenie o zakúpení výrobku.

## CE Prehlásenie o zhode

**Dolu podpísaný:** p. Darrell Morris

**spĺnomocnený:** Triton Tools

**prehlasuje, že:** Toto vyhlásenie bolo vydané na výhradnú zodpovednosť výrobcu. Predmet tohto vyhlásenia je v súlade s príslušnou harmonizačnou legislatívou Únie.

**Výrobok číslo:** T41200BS

**Popis:** 1200 W Pásová brúska

**Bol uvedený na trh v súlade so základnými požiadavkami a príslušnými ustanoveniami nasledujúcich smerníc:**

- Smernica o bezpečnosti strojných zariadení 2006/42/EC
- Smernica o technických požiadavkách na výrobky z hľadiska ich elektromagnetickej kompatibility 2014/30/EC
- Smernica RoHS 2011/65/EU
- EN 60745-1
- EN 60745-2-4
- EN 55014-1
- EN 55014-2
- EN 61000-3-2
- EN 61000-3-3
- EN 62321

Pokiaľ sa behom 3-ročnej odo dňa nákupu objaví porucha výrobu spoločnosti Triton Precision Power Tools, ktorá bola spôsobená chybou materiálu alebo chybným spracovaním, Triton opraví alebo vymení chybný diel zdarma.

Tato záruka sa nevzťahuje na výrobky, ktoré budú používané na komerčné účely, a ďalej na poškodenie, ktoré je spôsobené neodborným použitím alebo mechanickým poškodením výrobku.

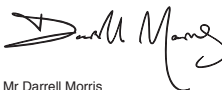
\* Registrujte sa behom 30 dní od nákupu. Zmena podmienok vyhradená. Týmito podmienkami nie sú dotknuté vaše zákonné práva.es

**Notifikovaná osoba:** TÜV Rheinland Co., Ltd.

**Technická dokumentácia je uložená u:** Triton Tools

**Dátum:** 04/07/2016

**Podpis:**



Mr Darrell Morris

Výkonný riaditeľ

**Meno a adresa výrobcu:**

Powerbox International Limited, Company No. 06897059.

Registrovaná adresa: Powerbox, Boundary Way, Lufton Trading Estate,

Yeovil, Somerset, BA22 8HZ, United Kingdom.

# Orijinal talimatların çevirisi

## Giriş

Bu TRITON el aletini satın aldığınız için teşekkür ederiz. Bu el kitabında bu ürünü güvenli ve yararlı şekilde kullanmak için gereken bilgiler bulunmaktadır. Bu ürünün kendine özgü özellikleri vardır ve benzer ürünleri yakından tanıyor olsanız bile talimatları tamamen anlayabilmeniz için bu el kitabını dikkatle okumanız gerekir. Bu el aletini kullanan herkesin bu el kitabını okuyup iyice öğrenmesini sağlıyoruz.

## Sembollerin açıklaması

El aletinizdeki künrede semboller bulunabilir. Bunlarda ürün hakkındaki önemli bilgileri veya kullanımı ile ilgili talimatları temsil eder.



Kulak koruyucu kullanın  
Göz koruyucu kullanın  
Solunum koruyucu kullanın  
Kafa koruyucu kullanın



El koruyucu kullanın



Talimat el kitabını okuyun



Yağmurda veya ıslak ortamlarda KULLANMAYIN!



UYARI: Hareketli kısımlar ezilmeye ve kesik yaralarına yol açabilir.



Sınıf II yapı (ilave koruma için çift izolasyonlu)



**Çevre Koruması** Atık elektrikli ürünler evsel atıklar ile birlikte atılmamalıdır. Tesis bulunan yerlerde geri dönüştürün. Geri dönüştürme tavsiyesi almak için yerel makamlar veya satıcı ile görüşün.



İlgili yönetmeliklere ve güvenlik standartlarına uygundur.



Dikkat!



Toksik duman veya gazlar

## Spesifikasyon

Model no.:	T41200BS
Voltaj:	230 V–240 V, 50 Hz
Elektrik kablosu uzunluğu:	2,6 m
Giriş gücü:	1200 W (1,6 hp)
Teker hızı:	250 0 rpm
Yüksüz hız:	200–400 m/dak <sup>1</sup>
Koruma sınıfı:	□
IP no:	IP20
Zımparalama alanı:	100 x 156 mm Kovan
Zımpara bandı boyutu:	100 x 610 mm
Boyutlar (U x G x Y):	410 x 181 x 181 mm
Ağırlık:	6 kg
Ses ve titreşim bilgileri:	
Ses basıncı L <sub>PA</sub> :	95,4 dB (A)
Ses gücü L <sub>WA</sub> :	106,4 dB (A)
Belirsizlik K:	3 dB
Ağırlık titreşim a <sub>w</sub> (ana tutamak):	4,92 m/sn <sup>2</sup>
Ağırlık titreşim a <sub>w</sub> (ön tutamak):	6,70 m/sn <sup>2</sup>
Belirsizlik K:	1,5 m/sn <sup>2</sup>
Operatör ses yoğunluk seviyesi 85 dB(A)'dan yüksek olabilir ve sestten korunma önlemleri zorunludur.	

Kesintisiz ürün geliştirmemizin bir parçası olarak, Triton ürünlerinin teknik özellikler önceden bildirilmeden değişebilir.

**UYARI:** Ses düzeyinin 85dB(A) değerini geçtiği yerlerde daima kulak koruyucu kullanın ve gerekirse maruz kalma süresini sınırlandırın. Kulak koruması kullanıldığı zaman bile ses düzeyleri rahatsız edici ise el aletini kullanmayı hemen bırakın ve kulak korumasının doğru takılıp takılmadığını ve el aletinizin ürettiği ses düzeyi için doğru miktarda ses zayıflatması sağlayıp sağlamadığını kontrol edin.

**UYARI:** Kullanıcının el aletinin titreşimine maruz kalması dokunma duyusunun kaybolmasına, uyuşmaya, karıncalanmaya ve tutma yeteneğinin azalmasına yol açabilir. Uzun süre maruz kalınması kronik bir duruma yol açabilir. Gerekli takdirde, titreşime maruz kalma süresini sınırlandırın ve titreşim önleyici eldiven kullanın. Titreşim tarafından daha çok etkileneceği için ellerinizin sıcaklığı normal rahat bir sıcaklığın altında olduğu zaman el aleti kullanmayın. Spesifikasyonda titreşim ile ilgili olarak verilmiş değerleri kullanarak el aletini çalışma süresini ve sıklığını hesaplayın.

Spesifikasyondaki ses ve titreşim düzeyleri EN60745 veya benzer uluslararası standartlara göre belirlenmiştir. Verilen değerler el aletinin normal çalışma koşullarında normal kullanımını temsil etmektedir. İyi bakım yapılmayan, yanlış monte edilmiş veya kötü kullanılan bir el aleti yüksek seviyelerde gürültü ve titreşim üretebilir. [osha.europa.eu](http://osha.europa.eu) adresinde, konuların içinde uzun süreler

## Teknik Kısaltmaların Açıklaması

V	Volt
~	Alternatif akım
A	Amper
n <sub>0</sub>	Yüksüz hız
Hz	Hertz
W, kW	Watt, kilowatt
/dak veya dak <sup>-1</sup>	Dakikadaki (dönüşler veya ileri-geri hareketler)

boyunca el aletleri kullanan kişiler için yararlı olabilecek, iş yerindeki ses ve titreşim seviyeleri hakkında bilgi bulunmaktadır.

## Genel Güvenlik

**UYARI** Tüm güvenlik uyarılarını ve tüm talimatları okuyun. Uyarılara ve talimatlara uyulmaması elektrik çarpmasına, yangına ve/veya ağır yaralanmaya yol açabilir.

**UYARI:** Fiziksel veya akılsal yetenek eksikliği bulunan (çocuklar dâhil) veya yeterli deneyimi ve bilgisi olmayan kişiler, kendilerinin güvenliğini sorumlu bir kişi tarafından cihazın kullanımını için gözetim ve bilgi sağlanmayacağı sürece bu cihazı kullanmamalıdır. Çocukların bu cihaz ile oynamasına dikkat edilmelidir. Tüm uyarıları ve talimatları ileride kullanabilmek için saklayınız.

Uyarılarda "elektrikli el aleti" terimi elektrik şebekesinden çalışsan (kablolu) elektrikli el aleti veya batarya ile çalışsan (kablesiz) elektrikli el aleti anlamına gelmektedir.

### 1) Çalışma alanının güvenliği

a) Çalışma alanını temiz ve iyice aydınlatılmış halde tutun. *Dağınık veya karanlık yerler kazaları davet eder.*

b) El aletlerini yanıcı sıvılar, gazlar veya toz içeren ortamlar gibi patlayıcı atmosferlerde çalıştırmayın. Elektrikli el aletleri tozu ve dumanları tutuşturabilecek kıvılcımlar çıkarır.

c) Elektrikli aletleri çalışırken çocukları ve izleyicileri uzakta tutun. *Dikkati dağıtan şeyler kontrolü kaybetmenize neden olabilir.*

### 2) Elektrik güvenliği

a) Elektrikli el aletlerinin fişleri prize uygun olmalıdır. Fişi asla hiçbir şekilde değişikliğe uğratmayın. Topraklanmış (topraklı) elektrikli el aletleri ile hiçbir adaptör fiş kullanmayın. *Değişikliğe uğratılmamış fişler ve fişe uygun prizler elektrik çarpması riskini azaltır.*

b) Borular, radyatörler, fırınlar ve buzdolapları gibi topraklanmış veya topraklı yüzeylere vücut ile temas etmemek kaçınılmazdır. *Uyucunuzun topraklandığı zaman elektrik çarpması riski artar.*

c) Elektrikli el aletlerini yağmura veya ıslak koşullara açık bırakmayın. *Elektrikli el aletine su girmesi elektrik çarpması riskini artırır.*

d) Kabloyu yanlış şekilde kullanmayın. Elektrikli el aletini taşımak, fişi takmak veya çıkarmak için asla kabloyu kullanmayın. Kabloyu ısı, yağ, keskin kenarlar veya hareketli parçalarından uzak tutun. *Hasar gören veya düğümlenen kablolar elektrik çarpması riskini artırır.*

e) Elektrikli bir el aletini dış mekânda kullanırken dış mekânda kullanmaya uygun bir uzatma kablosu kullanın. *Dış mekânda kullanıma uygun bir kablo kullanmak elektrik çarpması riskini azaltır.*

f) Elektrikli bir el aletini nemi bir yerde kullanmak zorunlu ise bir kaçak akım cihazı (RCD) ile korunan bir kaynağı kullanın. *RCD kullanmak elektrik çarpması riskini azaltır.*

### 3) Kişisel güvenlik

a) Elektrikli aletleri çalışırken tetikte olun, yaptığınız şeyi dikkat edin ve sağduyunuza kullanın. Yorgun veya ilaçları, alkolünü veya bir tedavinin etkisinde olduğunuz zaman elektrikli alet kullanmayın. *Elektrikli alet kullanırken bir anlık dikkatsizlik ağır yaralanmaya yol açabilir.*

b) Kişisel koruyucu donanım kullanın. Daima göz koruyucu giyin. Gereken koşullar için kullanılan toz maskesi, kaymaz güvenlik pabuçu, baret veya işitme koruyucu gibi koruyucu donanımın yararlanmaları azaltır.

c) El aletinin istenmeden çalıştırılmasını önleyin. Güç kaynağına ve/veya batarya grubuna bağlanmadan önce veya el aletini toplayıp taşımadan önce düğmenin kapalı olduğuna kontrol edin. *Elektrikli el aletlerinin pannağınız düğmenin üzerinde olacak şekilde taşımak veya anahtar üzerinde iken elektrikli el aletlerine enerji vermek kazaları davet eder.*

d) Elektrikli el aletini çalıştırdıktan önce tüm ayarlamaları anahtarlarını veya kollarını çıkarın. El aletinin dönen bir kısmına takılı olarak bırakılan bir anahtar veya kol yaralanmaya neden olabilir.

e) Çok fazla ıleriyeye uzanmayın. Desteginizi ve dengeniizi daima uygun şekilde koruyun. Bu, beklenmeyen durumlarda aletin daha iyi kontrol edilmesini sağlar.

f) Uygun giysi giyin. Gevşek giysiler veya takı kullanmayın. Saçınızı, giysinizi ve eldivenlerinizi hareketli parçalarından uzak tutun. *Hareketli parçalar, gevşek giysileri, takıları veya uzun saçı yakalayabilir.*

g) Toz uzaklaştırma ve toplama olanaklarına bağlı olarak yapmak için cihazlar verilmiş iş bunları bağlayıp gereken şekilde kullanmaya dikkat edin. *Toz toplama olanaklarının kullanılması toz ile ilişkili tehlikeleri azaltabilir.*

h) Elektrikli el aletinin kullanımını ve bakımı

a) Elektrikli el aletini zorlamayın. İşiniz için doğru elektrikli el aletini kullanın. *Doğru elektrikli el aleti bir işi daha iyi ve daha güvenli şekilde ve gerçekleştirilmek için tasarlandığı hızda yapar.*

b) Düşme elektrikli el aletini açıp kapatmıyorsa aleti kullanmayın. *Düşme ile kontrol edilemeyen bir elektrikli el aleti tehlikelidir ve tamir edilmelidir.*

c) Elektrikli el aletlerinde ayar yapmadan, aksesuarları değiştirmeden veya saklamadan önce aletin fişini güç kaynağından ve/veya batarya grubundan çekin. *Bu gibi önleyici güvenlik önlemleri elektrikli el aletinin kazara çalıştırılması riskini azaltır.*

d) Kullanılmayan elektrikli el aletlerini çocukların ulaşamayacağı bir yerde

saklayın ve elektrikli el aletini veya bu talimatları iyice bilmeyen kişilerin aleti kullanmasına izin vermeyin. *Elektrikli el aletleri eğitim almamış kullanıcıların elinde tehlikeli olur.*

e) Elektrikli el aletlerine bakım yapın. Hareketli kısımlarda hızı kaçırdığı veya sıkışma, parçaların kırılma ve el aletinin çalışmasını etkileyebilecek başka bir durum oluşmadığı kontrol edin. *El aleti hasar görmüş ise kullanılmadan önce tamir ettirin. Kazaları birçoğuna iyi bakım yapılmayın el aletleri neden olmaktadır.*

f) Kesici aletleri keskin ve temiz bulundurun. *Kesici kenarları keskin olan iyi bakım gören kesici aletlerin sıkışma olasılığı daha azdır ve daha kolay kontrol edilir.*

g) El aletini, aksesuarlarını ve el aletlerini vb., çalışma koşullarını ve yapılacak işi dikkate alarak bu talimatlara göre kullanın. *El aletinin amaçlanan işlemler dışındaki işler için kullanılması tehlikeli durumlara yol açabilir.*

### 5) Servis

a) El aletinize yalnızca tamamen ayın yedek parçalar kullanılarak ehliyeti bir tamirci tarafından servis yapılmasını sağlayın. *Bu, el aletinin güvenliğinin sürdürülmesini sağlar.*

## Zımpara Aleti Güvenliği

⚠ UYARI:

• El aletini yalnızca yalıtımlı tutamaklardan veya kavrama yüzeylerinden tutun, çünkü zımpara bandı/levhası kendi kablosuyla temas edebilir. "Akım" bulunan bir kablolu kesici elektrikli aletin metal parçalarının akıma maruz kalmasına neden olabilir ve operatörü elektrik çarparabilir.

• İş parçasını sabit bir platforma sabitlemek için kelepçe veya başka pratik yöntemler kullanın. İş parçasını elinizle tutmanız veya gövdeye dayamanız sabit durmasına neden olur ve kontrol kaybına neden olabilir.

• Elektrikli el aletinin daima 30 mA veya daha düşük nominal artık akımı bir artık akım cihazı ile kullanılması tavsiye edilir.

• Elektrik kablosunun değiştirilmesi gerektiği takdirde güvenlik tehlikesi oluşmaması için bunun üretici veya temsilcisi tarafından yapılması gerekir.

a. Minimum FFP2 deresindeki bir toz maskesini de içeren uygun koruyucu ekipmanları, göz maskesi ve kulak koruyucuları takın

b. İş alanının yanındaki herkesin de aynı uygun kişisel koruma ekipmanlarıyla donatıldığını emin olun

c. Bazı tahtaları zımparalarken özellikle dikkatli olun (kayın, meşe, maun ve tiki ağacı), çünkü ortaya çıkan toz toksiktir ve aşırı reaksiyonlara neden olabilir

d. Asbest benzeri materyalleri işlemek için ASLA kullanmayın. *Nesnelenin asbes içeren ipermedijli konusunda kararsızsanız, yetkili bir profesyonelle danışın*

e. Magnezyum veya yüksek oranda magnezyum içeren alaşımları ZIMPARALANMAYIN

f. Zımparalanam materyale uygulanmış olabilecek son kat boyalara veya işlemlere dikkat edin. *Birçok işlem toksik veya başka türlü zararlı olan toz oluşturabilir. 1960 yılından önce inşa edilmiş bir binada çalışıyorsanız, kurşun bızlı boyalara karşılaşma ihtimaliniz daha fazladır*

g. Kurşun bızlı boyaları zımparalarken ortaya çıkan toz özellikle çocuklar, hamileler ve yüksek tansiyonu olan kişiler için özellikle tehlikelidir. *Uygun kişisel koruyucu ekipmanları takmış olsalar bile bu insanlar iş alanınıza YAKLAŞTIRMAYIN*

h. Toz ve atık kontrolünü sağlamak için her mümkün olduğunda vakumlu toz boşaltma sistemini kullanın

i. Hem ahsap hem de metal zımparalama için makineyi kullanırken özellikle dikkatli olun. *Metalden çıkan kıvılcıklar nedeniyle ahsap tozu kolaylıkla alev alabilir. Yangın riskini azaltmak için HER ZAMAN makineyi toz temizleyin*

j. Toz torbasını veya kabını (varsal) kullanım sırasında, ara vermeden önce ve zımpara işlemi bittikten sonra olmak üzere sık sık boşaltın. *Toz patlama riski içerir. Zımparalama tozunu açık ateşe ATMAYIN. Toz partikülleriyle petrol ve su temas ettiğinde kendiliğinden yanma oluşabilir. Atık materyalleri dikkatli bir şekilde ve yerel yasalarda düzenlemelere uygun bir şekilde tasfiye edin.*

k. İş yüzeyleri ve zımpara kâğıdı kullanım sırasında çok ısınabilir. İş yüzeyinde yanma olduğuna dair bir delil varsa (duman veya küll), durun ve malzemenin soğumasını bekleyin. *Soğumaları için beklemeden iş yüzeyine veya zımpara kâğıdına DOKUNMAYIN*

l. Hareket eden zımpara kâğıdını dokunmayın

m. Zımpara aletini yere koymadan önce HER ZAMAN kapatın

n. ıslak zımparalama için KULLANMAYIN. *Motor yatağına giren sıvılar ağır elektrik şoklarına neden olabilir*

o. Zımpara kâğıdını çıkartmadan veya yenisini takmadan önce zımpara aletini HER ZAMAN elektrik kaynağından çıkartın. *Bu el aleti tarif edildiği*

TR



**gibi kullanıldığında bile tüm ikinci risk faktörlerini ortadan kaldırmak mümkün değildir. Bu aletin güvenli kullanımı hakkında herhangi bir şüpheiniz varsa, kullanmayın**

## Ürün Tanıtımı

1. Ön Tutamak
2. Arka Tutamak
3. Elektrik Kabloşu
4. Toz Boşaltma Kanalı
5. Tahrik Kayışı Kapağı
6. Kelepçe Deliği
7. İzleme Ayarlamı Düşmesi
8. Zımpara Bandı
9. Kilitleme Düşmesi
10. Açma/Kapatma Tetik Anahtarı
11. Hız Ayar Kadranı
12. Havalandırılmalı Motor Kapağı
13. Fırça Kapağı
14. Ön Bant Silindiri
15. Bant Germe Kolu
16. Tahrik Silindiri

## Dâhil Olan Aksesuarlar

17. Tezgâh Montaj Keçesi
18. 2 x İlave Zımpara Bandı
19. 2 x İnversiyon Kelepçesi
20. Toz Toplama Torbası
21. Yedek Tahrik Kayışı

## Kullanım Amacı

Büyük miktarda materyali temizlemek için orta ve ağır işlere yönelik bantlı zımpara aleti. Yumuşak ve sert tahtada ve benzer materyallerde kullanım için.

## El Aletin Paketten Çıkarılması

- Yeni el aletinizi dikkatle paketinden çıkartın ve inceleyin. Tüm özelliklerini ve işlevlerini öğrenin
- El aletinin tüm parçalarının içinde bulunduğundan ve iyi durumda olduğundan emin olun. Herhangi bir parça eksik veya hasarlıysa, bu aleti kullanmaya başlamadan önce bu parçaların değiştirildiğinden emin olun

## Kullanım Öncesi

**⚠ UYARI:** Herhangi bir aksesuar takmadan veya değiştirmeden ya da herhangi bir değişiklik yapmadan önce el aletinin elektrik bağlantısının kesildiğinden emin olun.

**Not:** Bu zımpara aleti tamamen monte edilmiş olarak gönderilir. Kutudan çıkartılır çıkartılmaz kullanılabilir.

## Toz Toplama Torbasının Bağlanması

- Aletin bir elektrik süpürgesine veya atölye toz boşaltma sistemine bağlanmas, tercih edilen toz boşaltma yöntemidir
- Vakumlu toz boşaltma kullanılmıyorsa, tedarik edilen Toz Toplama Torbasını (20) Toz Boşaltma Kanalına (4) takmalısınız
- 1. Sürgülü rekoru yerleştirin, Toz Toplama Torbasını (Resim A) öne itin ve kilittenene kadar çevirin. Toz Toplama Torbasının fermuarının kapalı olduğundan emin olun.
- 2. Toz Toplama Torbasını çıkarmak için, sürgüyü açmak üzere dışa doğru çevirin ve sonra çekin

**UYARI:** Metal zımparalarken Toz Toplama Torbasını çıkartın ve KULLANMAYIN Sıcak metal partikülleri ve kıvılcımları, aışşap tozu artıklarını ateşleyebilir ve Toz Toplama Torbasının alev almasına neden olabilir. Metal zımparalarken, zımpara aletini her zaman bir elektrik süpürgesine veya atölye toz boşaltma sistemine bağlayın. Aışşap zımparalamadan metal zımparalamaya geçerken veya tam tersi bir geçiş öncesinde her zaman aleti YİCE temizleyin.

## Doğru derecede zımpara bandı seçebilmek

- Yerele Triton bayinizden farklı derecelerden zımpara bantları temin edilebilir. Genel dereceler: Kalın (40 Zımpara taneçliği), Orta (80 ve 100 Zımpara Taneçliği) ve İnce (120 Zımpara Taneçliği)
- Kaba yüzeyleri ortadan kaldırmak için Kalın derece, işi pürüzsüzleştirme için Orta ve son işlem için İnce derece seçin
- Belirli bir iş için optimum bant derecesini belirlemek için iskarta bir malzeme üzerinde deneme amaçlı çalıştırın.
- Zımpara aletinizin tam olarak faydalanmak için her zaman iyi kalitede bantlar satın alın

**Not:** Bantlı zımpara aletiyle zımparaladıktan sonra, daha pürüzsüz bir yüzey son işlemini için orbital zımpara kullanılabilir. Ancak bu işlem, aışşap dokusunun

detaylarının kaybolmasına neden olur. Aışşap yüzeyi boyamayı düşünüyorsanız veya aışşap dokusunun görünürlüğünü korumanıza gerek yoksa orbital zımpara aleti tavsiye edilir.

## Zımpara bandının takılması

**UYARI:** Herhangi bir muayene, temizleme veya bakım yapmadan önce elektrik fişini her zaman çekin.

1. Bandı gevşetmek için Bant Germe Kolu (15) serbest bırakın ve sonra eski bantı çıkartın (Resim B)
2. Yedek bandın sağlam bir şekilde birleştirildiğini ve kenarlarının yıpranmadığını kontrol edin.
3. Bandın iç kısmındaki yön okunun zımpara aletinin yanındaki okla aynı yönü işaret ettiğini kontrol ederek yeni bantı yerine kaydırın (Resim C)
4. Bandın gerginliğini artırmak için Bant Germe Kolu (Resim D) içe doğru itin.
5. Zımparayı prize takın ve zımparayı sıkıca tutarak Açma/Kapatma Tetik Anahtarına basarak (10) bandın kısa bir süre boyunca dönmeye imkân verin
6. Bant çalışırken, bant İzleme Ayarlamı Düşmesini (7) Tahrik Silindirinin (16) ortasına hizalanan İzleme Ayarlamı Düşmesini ayarlayın. Bant doğru bir şekilde hizalanana kadar (bandı izlemek için düşmenin hafif bir şekilde çevrilmesi yeterlidir), sonra bandın ayarlanmasını için Açma/Kapatma Tetik Anahtarına bir kaç saniye basılı tutun. Zımparayı bir iş parçası üzerinde kullanmadan önce, doğru şekilde hizalandığından emin olun ve zımparayı yaklaşık bir dakika çalıştırın

**UYARI:** Zımpara bandı aşınmış veya hasarlıysa zımpara aletini kullanmaya devam etmeyin.

**UYARI:** Aışşap ve metal için aynı zımpara bandını kullanmayın. Metal parçacıkları banda gömülür ve aışşap yüzeyi oyuklara neden olur.

## Çalıştırma

### KAPATMA ve AÇMA

1. Bantlı zımpara aletini etkinleştirmek için Açma/Kapatma Tetik Düşmesini (10) basılı tutun
2. Bantlı zımpara aletini durdurmak için Açma/Kapatma Tetik Düşmesini serbest bırakın
3. Bantlı kumlayıcı kilidini ETKİN hale getirmek için Açma/Kapatma Tetik Anahtarına basarak bantlı zımparayı etkinleştirin ve Açma/Kapatma Tetik Anahtarını AÇIK konumda kilitlet için Kilitleme Düşmesine (9) (Resim E) basın
4. Devre dışı bırakmak için, Kilitleme Düşmesini tıklayarak açılmasını sağlayan Açma/Kapatma Tetik Düşmesine basırlın ve bantlı zımpara aletini durdurmak için Açma/Kapatma Tetik Anahtarını serbest bırakın

## Hızı ayarlamak

- Zımparalanacak materyale göre hız ayarlanabilir.
- Hızı ayarlamak için, Hız Ayar Kadranını (11) istenen hıza getirin (Resim F)

**Not:** Hız Ayar Kadranı, en düşük hız ayarı olan "1"de iken, hız 200 m/dak olr; Hız en yüksek hız ayarı olan "7" iken hız 400 m/dak olur.

## Zımparalama

**UYARI:** Bu aletle çalışırken her zaman koruyucu gözlük, uygun bir toz maskesi, kulak tıkaçı ve uygun eldivenler kullanın.

**Not:** Uygun durumlarda, iş parçasını iş tezgâhına sabitlemek için her zaman kelepçeleri kullanın.

**UYARI:** Bu zımparayı magnezyum zımparalamak için kullanmayın.

**Not:** Her zaman bandın iyi konumda olduğundan emin olun.

1. Aleti elektrik prizine takın.
2. Açma/Kapatma Tetik Anahtarını (10) basırlın ve bantlı iş parçasının yüzeyine indirmeden önce bant istenen hıza gelene kadar bekleyin
3. Kesintisiz çalıştırmak istiyorsanız, Kilitleme Düşmesine (9) basın
4. Üniteyi iş parçasının yüzeyine indirin ve hafifçe basırlın
5. Parçacık yönünde, paralel olarak, aynı darbelerin üzerinden geçerek zımparalayın (Resim G)
6. Boyayı temizlemek veya çok pürüzlü aışşapı pürüzsüz hale getirmek için, parçacıkları ters yönde her iki taraftan da 45° açıyla zımparalayın ve sonra parçacık yönünde son işlem yapın
7. Fişten çekmeden önce zımparayı iş parçasının üzerinden kaldırın
8. Elimizi hareketli zımpara bandından uzak tutmayı unutmayın, çünkü makine KAPATILDIKTAN sonra bir süre daha dönmeye devam eder.

**Not:** Optimum toz uzaklaştırma için, yarınsına kadar dolmasını beklemeden Toz Toplama Torbasını boşaltın (20).

**UYARI:** Metal zımparalarken Toz Toplama Torbasını kullanmayın Sıcak metal partikülleri, torbanın içindeki artık aışşap tozunu alev almasına neden olabilir.



Zımpara aletini bir ev tipi elektrik süpürmesine veya atölye toz boşaltma sistemine bağlamak için elektrikli süpürge adaptörü kullanılabilir. Adaptör Toz Boşaltma Kanalına (4) takılır.

## İnversiyon Kelepece setini kullanmak

- İnversiyon Kelepeceleri (19) seti, Triton Bantlı Zımpara Aletinin ters çevrilmiş olarak kullanılmasına imkân verir (Resim H). Zımpara aleti, yalnızca sağlam, düz bir çalışma yüzeyi olan uygun bir yapıya tam olarak kelepçelendiğinde ters pozisyonda kullanılmalıdır.
- 1. Makineyi çevirin ve sağlam, düz çalışma yüzeyine yerleştirin. Alt kısmın düz olduğundan ve G kelepece tabanlarının uzunluğuna uygun şekilde yeterli erişim olduğundan emin olun.
- 2. İnversiyon Kelepecelerini zımpara aletinin üzerindeki sabitleme konumlarına tam olarak yerleştirin. Her bir inversiyon kelepçesinin dikey dişli kesiminin iş yüzeyinin kenarına sıkıştırıldığından emin olun.
- 3. Zımpara aletinin çalışma yüzeyine sağlam bir şekilde tutunmasını sağlamak için kelebek somunları sıkın.
- 4. Toz Toplama Torbasını (20) veya uyumlu toz boşaltma sistemini yerleştirin
- 5. Zımpara aletini açın ve zımpara aletinin kesintisiz çalışmasını sağlamak için Kilitleme Düğmesini (9) kullanın
- 6. Zımpara bantının zımpara aletine sağlam bir şekilde sabitlenip sabitlenmediğini ve alet çalışırken doğru bir şekilde hizalandığını kontrol edin. Gerekirse, zımpara aletini KAPATIN ve zımparayı yeniden sabitleyin

**UYARI:** Çalışma yüzeyine iyice sabitlenmediği sürece zımpara aletini ters çevirip KULLANMAYIN.

**Not:** Bantlı zımpara kelepçelendiğinde, Tezgâh Montaj Keçesini (17) bantlı zımparanın altında yerleştirerek çalışma yüzeyinin hasar görmesini önleyin ve bantlı zımparanın hareketini kısıtlayın.

## Aksesuarlar

- Farklı zımpara taneçiklerine sahip zımpara bantları ve aksesuarlarını Triton bayinizde bulabilirsiniz. Yedek parçalar toolsaresonline.com adresinden edinilebilir

## Bakım

**UYARI:** Herhangi bir muayene, temizleme veya bakım yapmadan önce elektrik fişini her zaman çekin.

### Toz toplama torbasının boşaltılması (takılıysa)

**UYARI:** Toz Toplama Torbasını (20) veya toz boşaltma sistemini çıkartmadan önce bantlı zımpara aletini her zaman KAPATIN ve elektrik kaynağı ile bağlantısını kesin.

1. Toz Toplama Torbasını çıkarmak için, sürgüyü açmak üzere dışa doğru çevirin ve sonra çekin (Resim A)
2. Toz Toplama Torbasının fermuarını açın, boşaltın ve tekrar takın (bkz. "Toz Toplama Torbasını Takmak")

**Not:** Zımpara tozunda, eski boya, vernik, yüzey kaplamaları vs gibi zararlı maddeler varsa, her zaman yasalara ve yönetmeliklere uygun olarak taşıyın.

**Not:** Optimum toz uzaklaştırma için, yarısına kadar dolmasını beklemeden Toz Toplama Torbasını boşaltın.

**Not:** Ahşap zımparalamadan metal zımparalamaya geçerken veya tam tersi bir geçiş öncesinde her zaman aleti İYİCE temizleyin.

### Genel Muayene

- Tüm sabitleme vidalarının sıkışmış olup olmadığını düzenli olarak kontrol edin. Zaman içinde titreşimle gevşeyebilir
- Aletin elektrik kablosunu her kullanımdan önce hasar veya aşınmaya karşı denetleyin. Onarım işlemleri yetkili bir Triton servis merkezi tarafından

gerçekleştirilmelidir. Tavsiye aynı zamanda bu aletle kullanılan uzatma kabloları için de geçerlidir; her zaman aşınma ve hasar için kontrol edin ve mümkünse onarım için ürün imalatçısıyla görüşün

## Temizleme

- El aletinizi daima temiz tutun. Kir ve toz iç parçaların cabucak aşınmasına ve makinenin kullanım ömrünü azaltmaya neden olur. Makinenizin gövdesini yumuşak bir fırçayla veya kuru bir bezle temizleyin. Mümkünse, havalandırma deliklerinden dümek için temiz, kuru ve baskınlı hava kullanın
- Hafif bir deterjan kullanarak aletin kasaasını nemli yumuşak bir bezle temizleyin. Alkol, petrol veya sert temizleme ajanları kullanmayın
- Plastik parçaları temizlemek için asla yakıcı ajanlar kullanmayın

## Yağlama

- Uygun bir sprey yağ ile tüm parçaları düzenli aralıklarla yağlayın

## Fırçalar

- Zaman içinde motorun içindeki karbon fırçaları aşınabilir
- Aşırı derecede aşınmış fırçalar güç kaybına, geçici işgörmezliğe veya gözle görünür kıvılcımlanmaya neden olabilir
- Fırçaların aşınmış olduğundan şüpheleniyorsanız, her iki fırçayı da aynı anda değiştirmelisiniz

### Fırçaların değiştirilmesi:

**UYARI:** Fırçaları değiştirmeye başlamadan önce bantlı zımpara aletinin KAPALI olduğundan ve elektrik kablosunun güç kaynağından çıkartıldığından emin olun.

1. Havalandırılmalı Motor Kapağını (12) bantlı zımpara aletinin ve iki vidalı aşınmış Fırça Kapağını (13) üzerine yerleştirin
  2. Düz uçlu tornavida ile Fırça Kapaklarını sökün, sonra iki fırçayı çıkartın
  3. Fırça Kapağı deliklerindeki takımlara uyacak fırça uçlarındaki çıkıntılara dikkat edin ve yeni fırçayı içine yerleştirdikten sonra Fırça Kapağını tekrar vidalayın
- Not:** Yeni fırçaları takarken her seferinde bir tanesini takabilirsiniz, ancak her iki fırçanın da aynı seansta takılması önerilir.
4. Fırçalar değiştirildiğinde, bantlı zımparayı elektrik prizine takın ve AÇIN. Yedek parçanın çalışıp çalışmadığını test etmek için bantlı zımpara aletini çalıştırın
  5. Elektrik yoksa 1. adımdan tekrarlayın. İkinci denemeden sonra da elektrik gelmiyorsa, Triton servis teknisyeninizle iletişime geçin

### Tahrik kayışının değiştirilmesi

**Not:** Zımpara aletiyle yedek tahrik kayışı verilir. Farklı değişimler ve diğer yedek parçaları toolsaresonline.com web sitesinden veya Triton bayinizden edinilebilirsiniz.

1. Bir Philips tornavida kullanarak, Tahrik Kayışı Kapağını (5) sabit tutan vidaları sökün
2. Aşınan kayışı alttan gevşeterek, tahrik kasnağını çevirerek ve sonra çekerek kaldırın
3. Varsa tüm tozu ve döküntüleri temizleyin
4. Yeni tahrik kayışını, kasnağın üstüne yerleştirin ve daha büyük tahriğin üzerine doğru itin, sonra da her iki kasnağın da üzerinde olana ve her bir kasnağındaki oluklara yerleşene kadar kayışı çevirin
5. Tahrik Kayışı Kapağını tekrar yerleştirin ve sabitleme vidalarını iyice sıkın
6. Bantlı zımpara aletini düşük hızda test edin. Doğru monte edildiye, bantlı zımpara aleti kullanıma hazırdır

### Saklama

- Bu el aletini güvenli, kuru ve çocukların ulaşamayacağı bir yerde dikkatlice saklayın

## İmha

Artık kullanılmayan ve onarılmayan elektrikli aletleri imha ederken ulusal düzenlemeleri her zaman dikkate alın.

- Elektrikli aletleri veya diğer atık elektrikli veya elektronik ekipmanları (WEEE) evsel atıklarla imha etmeyin
- Elektrikli aletleri imha etmenin doğru yöntemi için yerel atık imha otoritelerle iletişime geçin

## Sorun Giderme

Problem	Olası neden	Çözüm
Açma Kapatma Tetik Düğmesine (10) basılıncaya çalışmıyor	Elektrik yok	Elektrik kaynağını kontrol edin
	Anızalı Açma/Kapatma Tetik Düğmesi	Açma Kapatma Tetiğini yetkili bir Triton servis merkezinde değiştirin
Zımpara çalışma sırasında yana çekiyor	Zımpara bandı ortalanmamış	Bandın İzleme Ayarlar Düğmesini (7) bandı hizalamak için ayarlayın. Sorun devam ederse, "Zımpara bandının takılması" bölümünde anlatıldığı şekilde bandı tekrar takın
	Zımpara bandı gevşek	Bant Germe Kolunun (15) iyice kapatıldığından emin olun. Sorun devam ederse, "Zımpara bandının takılması" bölümünde anlatıldığı şekilde bandı tekrar takın
Açma/Kapatma Tetik Anahtarına dokunulmadığı halde bantlı zımpara çalışıyor	Kilitleme Düğmesi (9) etkinleştirildi	Makineyi durdurmak için, Açma/Kapatma Tetik Anahtarını sıkıp bırakın.

## Garanti

Garantinizi tescil ettirmek için tritontools.com adresindeki web sitemizi ziyaret ederek bilgilerinizi giriniz \*. Size ait bilgiler ilerideki yayınlar hakkında bilgi vermek üzere posta listemize dâhil edilecektir (aksi belirtilmediği takdirde). Verilen bilgiler hiç bir üçüncü tarafa iletilmeyecektir.

## Satin alma kayıtları

Satin Alma Tarihi: \_\_\_/\_\_\_/\_\_\_

Model: T41200BS Makbuzunuzu satın alma kanıtı olarak saklayınız

## AB Uygunluk Beyanı

**Aşağıda imzası bulunan:** Bay Darrell Morris

**Yetki veren:** Triton Tools

**Beyan eder ki:** Bu beyan, tamamen üreticinin sorumluluğunda yayınlanmıştır. Beyanın konusu, ilgili Birlik uyum Düzenlemesine uygundur.

**Tanımlama kodu:** T41200BS

**Açıklama:** 1200W Bantlı Zımpara

**Aşağıdaki direktiflere ve standartlara uygundur:**

- Makine Direktifi 2006/42/EC
- EMC Direktifi 2014/30/EC
- RoHS Direktifi 2011/65/EU
- EN60745-1:2009+A11:2010
- EN60745-2-4:2009+A11:2011
- EN55014-1:2006+A1:2009+A2:2011
- EN55014-2:1997+A1:2001+A2:2008
- EN61000-3-2:2014
- EN61000-3-3:2013

Triton Precision Power Tools, ilk satın alma tarihinden itibaren 3 YIL süre içinde hatalı malzemeler veya işçilik yüzünden herhangi bir parçanın kusurlu çıkması durumunda Triton'un hatalı parçayı ücretsiz olarak tamir edeceğini veya kendi takdirine göre değiştireceğini bu ürünü satın alan kişiye garanti eder.

Bu garanti ticari kullanım için geçerli olmadığı gibi normal aşınmayı ve yıpranmayı veya kaza, kötüye kullanma veya yanlış kullanma yüzünden oluşan hasarı içermez.

\* 30 gün içinde çevirim içi olarak tescil yaptırın.

Kurallar ve koşullar geçerlidir.

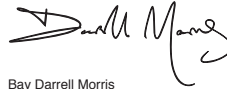
Bunlar sizin yasal haklarınızı etkilemez

**Onaylanmış kuruluş:** TÜV Rheinland Co., Ltd.

**Teknik dokümanları muhafaza eden:** Triton Tools

**Tarih:** 04/07/2016

**İmza:**



Bay Darrell Morris

Sorumlu Müdür

**Üreticinin adı ve adresi:**

Powerbox International Limited, Şirket No. 06897059.

Tescilli adres: Powerbox, Boundary Way, Lufton Trading Estate, Yeovil, Somerset, BA22 8HZ, Birleşik Krallık.

